



Designed to inhabit executive offices and meeting spaces, BINAR EXECUTIVE armchairs are a harmonious combination of elegance, timeless modernity, and ergonomics. The collection stands out for its excellent comfort, enveloping shapes, and exclusive upholstery. The armchairs are available with two backrest heights and can be upholstered in all the leathers and selected fabrics from the INCLASS collection.

ECOLOGY

ISO 14001 certificate [+info](#)

INCLASS production processes are certified according to environmental ISO 14001 quality standards and are carried out through the reduction of waste and energy consumption in order to minimise any impact on the environment.

QUALITY STANDARDS

ISO 9001 certificate [+info](#)

The quality management system of INCLASS is certified in accordance with ISO 9001 in all the design, manufacturing and sales procedures of its products.

UNE-EN 16139:2013vc2015

ANSI/BIFMA X5.4:2020

INCLASS products have been extensively tested to exceed industry testing standards at AIDIMME.

AIDIMME is member of the European network INNOVAWOOD and its testing laboratories are accredited by ENAC.

WARRANTY 5 YEARS

Warranty conditions [+info](#)

FINISHES

Finishes book [+info](#)

Upholstery: All fabrics and leathers indicated in the finishes book.

Aluminum bases

W01



B00



Polished

Armchair with medium back and 4 spoke aluminum swivel base

Code: **BIN0220**

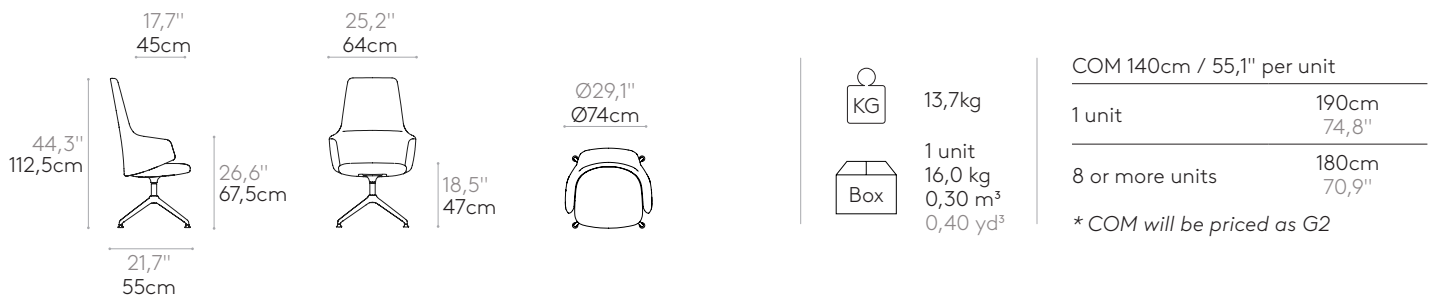


Upholstered armchair with medium backrest and 4 spoke swivel base made of cast aluminum alloy. The seat height is not adjustable.

Upholstery: in all the fabrics and leathers indicated in the finishes book.

Base finishes: polished or micro-textured powder coated in black or white.

Glides: plastic glides as standard. Plastic glides with felt are available with an upcharge.



Armchair with medium back and 4 spoke aluminum swivel base

Code: **BIN0320**

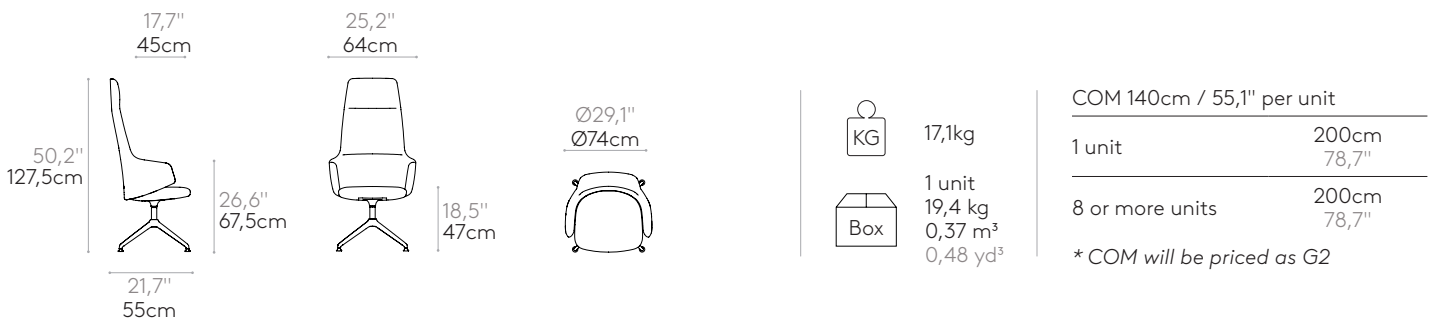


Upholstered armchair with high backrest and 4 spoke swivel base made of cast aluminum alloy. The seat height is not adjustable.

Upholstery: in all the fabrics and leathers indicated in the finishes book.

Base finishes: polished or micro-textured powder coated in black or white.

Glides: plastic glides as standard. Plastic glides with felt are available with an upcharge.



Armchair with medium back (5 spoke aluminum swivel base on casters + gas lift)

Code: **BIN0210**

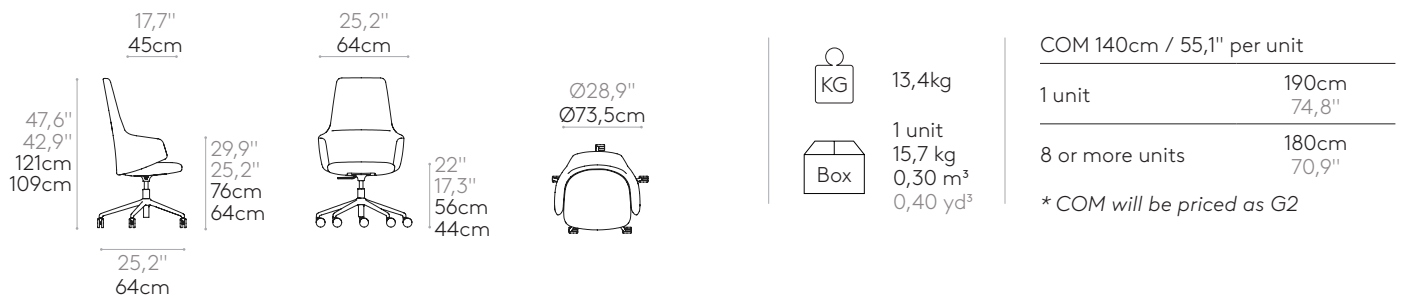


Upholstered armchair with medium backrest and 5 spoke cast aluminum alloy base fitted with gas lift column and Ø65mm twin wheel casters with soft tread. The seat height is adjustable with gas lift column.

Base finishes: polished or micro-textured powder coated in black or white.

Upholstery: in all the fabrics and leathers indicated in the finishes book.

Casters: Ø65mm twin wheel casters with soft tread as standard. Casters with hard tread are available.



Armchair with high back (5 spoke aluminum swivel base on casters + gas lift)

Code: **BIN0310**

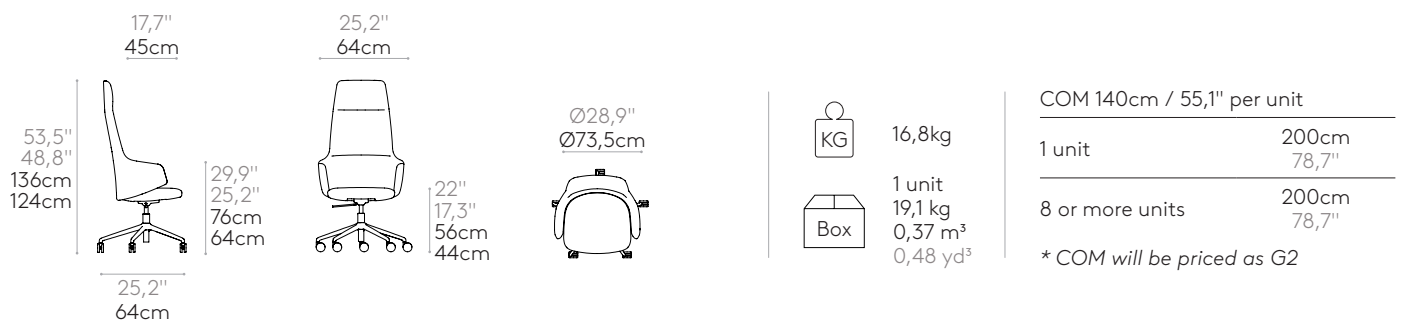


Upholstered armchair with high backrest and 5 spoke cast aluminum alloy base fitted with gas lift column and Ø65mm twin wheel casters with soft tread. The seat height is adjustable with gas lift column.

Base finishes: polished or micro-textured powder coated in black or white.

Upholstery: in all the fabrics and leathers indicated in the finishes book.

Casters: Ø65mm twin wheel casters with soft tread as standard. Casters with hard tread are available.



Armchair with medium back (5 spoke aluminum swivel base on casters + gas lift + tilt mechanism)

Code: **BIN0215**



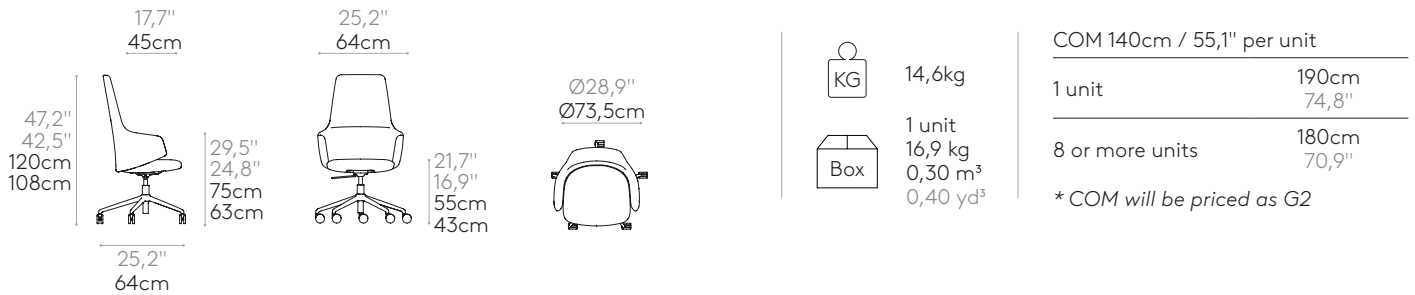
Upholstered armchair with medium backrest and 5 spoke cast aluminum alloy base fitted with gas lift column, tilt mechanism and Ø65mm twin wheel casters with soft tread. The seat height is adjustable with gas lift column.

Base finishes: polished or micro-textured powder coated in black or white.

Movement: 12° inclination mechanism with tilt lock in working position and safety release. Adjustable seat height.

Upholstery: in all the fabrics and leathers indicated in the finishes book.

Casters: Ø65mm twin wheel casters with soft tread as standard. Casters with hard tread are available.



Armchair with high back (5 spoke aluminum swivel base on casters + gas lift + tilt mechanism)

Code: **BIN0315**



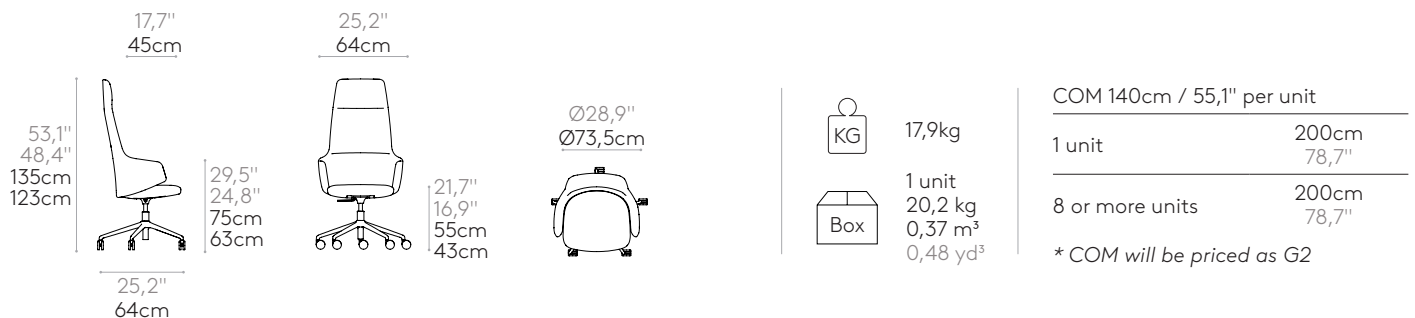
Upholstered armchair with high backrest and 5 spoke cast aluminum alloy base fitted with gas lift column, tilt mechanism and Ø65mm twin wheel casters with soft tread. The seat height is adjustable with gas lift column.

Base finishes: polished or micro-textured powder coated in black or white.

Movement: 12° inclination mechanism with tilt lock in working position and safety release. Adjustable seat height.

Upholstery: in all the fabrics and leathers indicated in the finishes book.

Casters: Ø65mm twin wheel casters with soft tread as standard. Casters with hard tread are available.



**Armchair with medium back
(5 spoke aluminum swivel base on casters + gas lift + synchro mechanism)**

Code: **BIN0218**



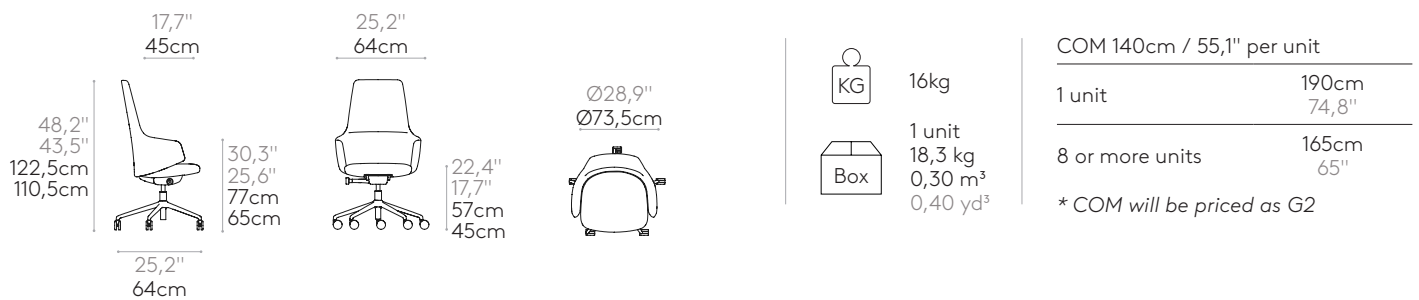
Upholstered armchair with medium backrest and 5 spoke cast aluminum alloy base fitted with gas lift column, synchronized movement and Ø65mm twin wheel casters with soft tread. The seat height is adjustable with gas lift column.

Base finishes: polished or micro-textured powder coated in black or white.

Movement: height adjustable seat and backrest. Synchronized tilt mechanism with five positions with safety release. Seat tilt angle up to 7° and backrest tilt angle up to 19°.

Upholstery: in all the fabrics and leathers indicated in the finishes book.

Casters: Ø65mm twin wheel casters with soft tread as standard. Casters with hard tread are available.



**Armchair with high back
(5 spoke aluminum swivel base on casters + gas lift + synchro mechanism)**

Code: **BIN0318**



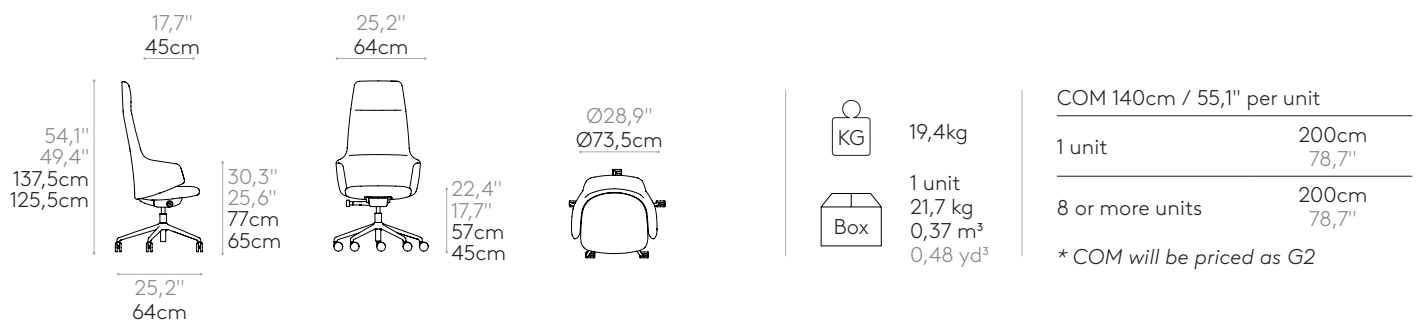
Upholstered armchair with high backrest and 5 spoke cast aluminum alloy base fitted with gas lift column, synchronized movement and Ø65mm twin wheel casters with soft tread. The seat height is adjustable with gas lift column.

Base finishes: polished or micro-textured powder coated in black or white.



Movement: height adjustable seat and backrest. Synchronized tilt mechanism with five positions with safety release. Seat tilt angle up to 7° and backrest tilt angle up to 19°.

Upholstery: in all the fabrics and leathers indicated in the finishes book.




Casters: Ø65mm twin wheel casters with soft tread as standard. Casters with hard tread are available.



OPTIONAL ITEMS & ACCESSORIES

	Code	Description
	BIN0610TA	Soft fiber upholstery for medium back armchairs (upcharge)
	BIN0620TA	Soft fiber upholstery for high back armchairs (upcharge)

OPTIONAL ITEMS & ACCESSORIES

	Code	Description
	BIN0660TC	Set of 4 felt glides for 4 spoke aluminum swivel base (upcharge)
	BIN0640	Set of 5 twin wheel swivel casters D65 with hard tread
	BIN0650	Self-return swivel column for 4 spoke aluminum base (upcharge)
	BIN0630BA	5 spoke polyamide base (discount)