

BAUX

X = FELT

Zenseful Acoustics

BAUX IS FOUNDED
ON THE BELIEF
THAT BUILDING
MATERIALS
SHOULD BE
SUSTAINABLE,
SURPRISINGLY
FUNCTIONAL AND
REMARKABLY
BEAUTIFUL.

LET'S BUILD!



This is X-FELT	8–13
Material	14–15
Acoustics	18–19
Assortment	22–33
Colours	34–37



A zenseful generation of acoustic panels and tiles that meet rigorous fire safety standards without harmful treatments.

Blending superior sound absorption with striking precision-cut patterns inspired by Japanese Zen gardens, X-FELT invites a sense of calm and mindfulness into any space.

Explore a palette of contemplative patterns with solid and duo colour composition choices that allow you to play in the space between bold and delicate and adapt to diverse interior themes.

X-FELT is crafted from a premium, lightweight felt material, made from certified recycled PET, and cut in extra large panels and tiles that allow you to create a harmonious interior from walls to ceilings.

In all simplicity, the design possibilities are infinite.



A circular material

Made from GRS-certified PET that is fully recyclable through the BAUX Circle Programme.

One system design

Cover more area with extra large panels and tiles for walls and ceilings.

Fire safety without additives

Meets rigorous fire safety standards without harmful treatments.

Superior acoustic properties

Up to Class A sound absorption for focused and collaborative interiors.

Solid and duo colours

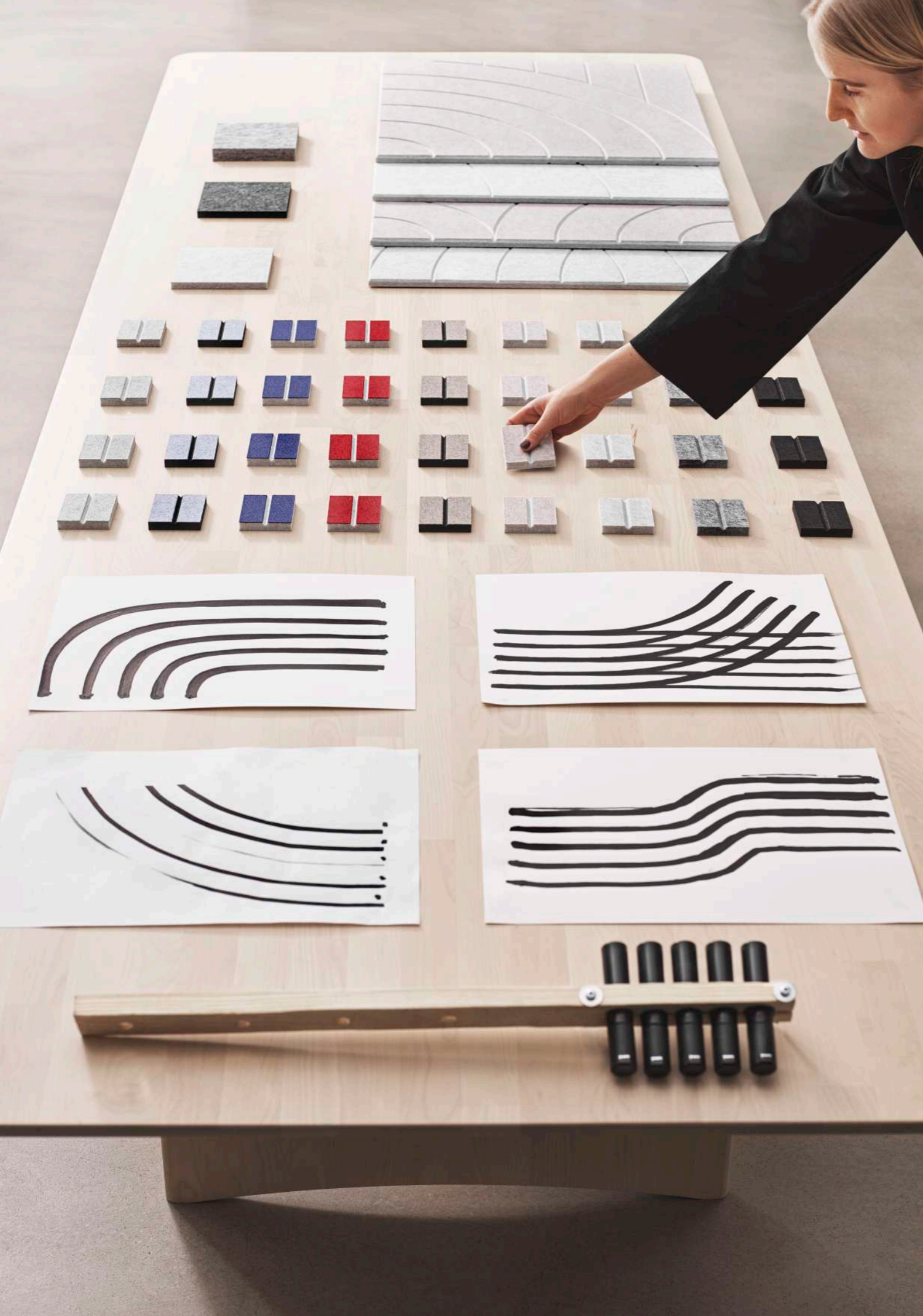
A unique and versatile palette curated for thoughtful, high-quality interiors.

Zenseful patterns

Precision-cut patterns harmonised for infinite mix-and-match possibilities.

Easy installation

Simply add a thin strip of glue to the panel or tile, then press to secure it.



The Material

A sleek and circular path to sound absorption

X-FELT is a unique, next-generation textile made from ultra-fine, high-quality polyester fibres sourced from GRS-certified PET.

Using advanced industrial techniques, these fibres are combined to create a smooth, compact, and lightweight structure that is highly sound absorptive and inherently fire safe due to the elimination of oxygen and fuel components. The fibre structure is then precisely cut into panels and tiles for walls and ceilings, providing a long-lasting solution for your acoustic design needs.

Advanced industrial precision

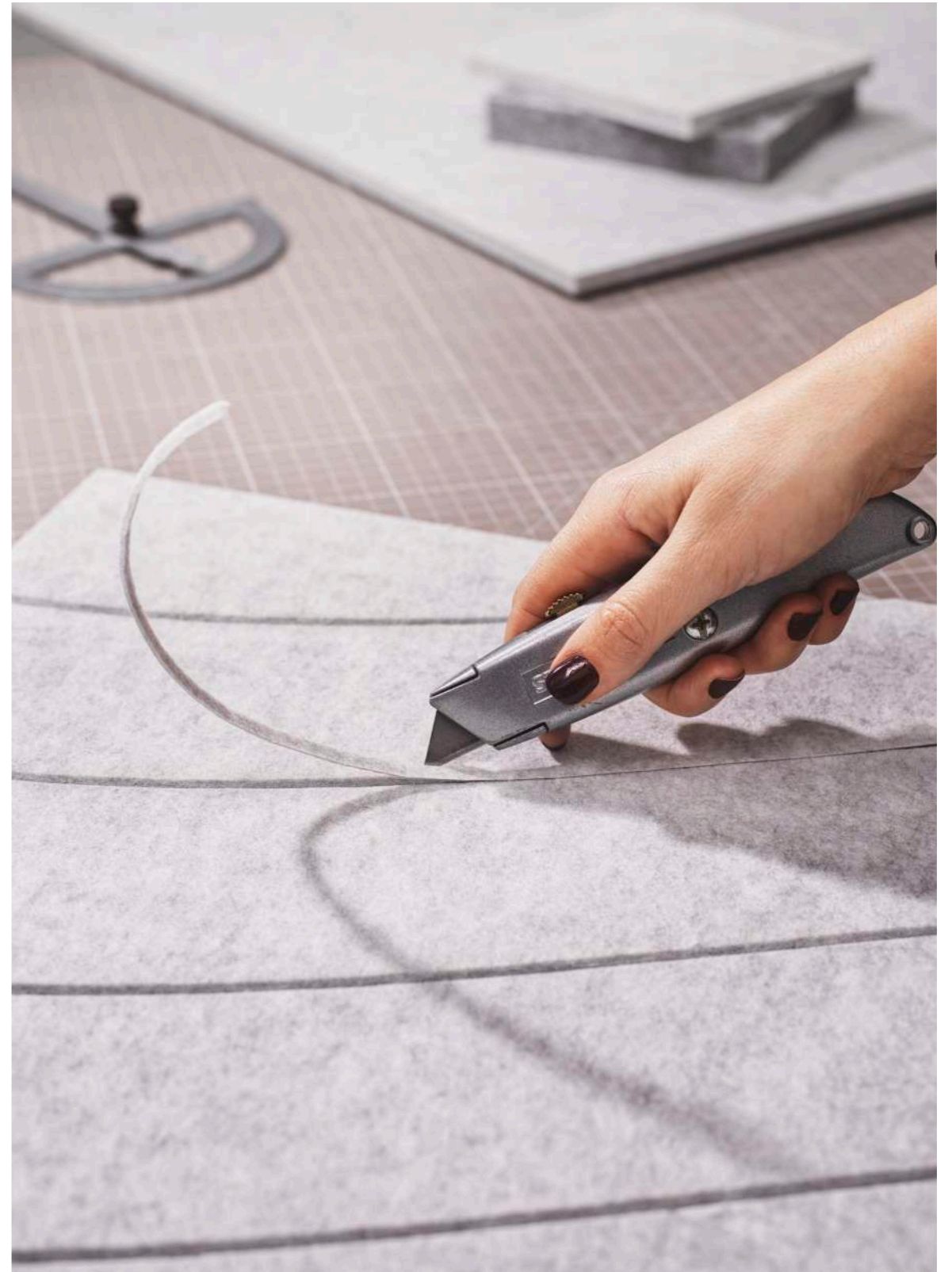
X-FELT is formed using a layered sandwich construction that yields high sound absorption and durability. Precision cutting techniques are applied to cut the panels and tiles to the correct sizes and bring the zenseful patterns to life.

Fire safety without harmful treatments

The advanced PET fibre structure of X-FELT not only effectively absorbs sound, but its compact nature also eliminates the need for harmful fire-retardant treatments. Eliminating these additives reduces the risk of toxic emissions during production, use, and disposal. X-FELT is rated Fire Class Bs.1-d0 for both wall and ceiling applications.

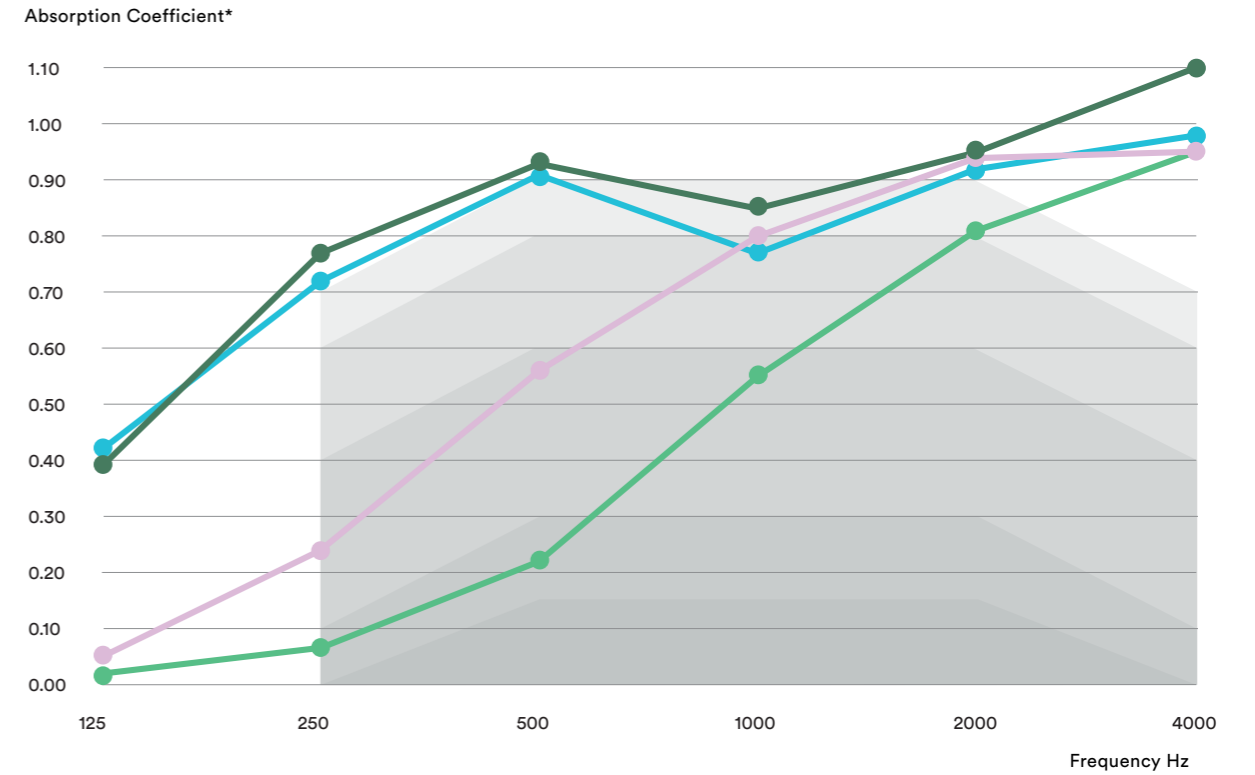
The BAUX Circle Programme

X-FELT is a next-generation textile made from GRS-certified PET. You can support circularity by either recycling the product at facilities that process PET or by participating in our take-back program to ensure responsible disposal and re-use.



X-FELT's superior sound absorption helps create a serene and balanced soundscape that enhances focus, reduces stress and fosters comfort.

Acoustic performance



*An absorption coefficient is one of the key efficiency markers for acoustic materials, showing how much sound is absorbed at different frequencies. In the absorption spectrum, 0 indicates perfect reflection, and 1 indicates perfect absorption. Which one is ideal? It really depends on the kind of acoustic landscape you are aiming to build. While some spaces require maximum tranquility, in others, a bit more bustle and ambience may be desired. Our assortment addresses a range of absorption needs to help you achieve your goals.

	Installation	αw	NRC	SAA	Class
●	12 mm panel or tile without air slot	0.25	0.40	0.41	E
●	12 mm panel or tile + 200 mm slot	0.90	0.85	0.85	A
●	25 mm panel or tile without air slot	0.55	0.65	0.63	D
●	25 mm panel or tile + 200 mm slot	0.95	0.90	0.88	A



PRODUCT ASSORTMENT

Acoustic Panels



Plain



Straight
Widestripe



Ripple (R)
Widestripe



Ripple (L)
Widestripe



Wave
Widestripe



Flow
Widestripe



Straight
Pinstripe



Ripple (R)
Pinstripe



Ripple (L)
Pinstripe



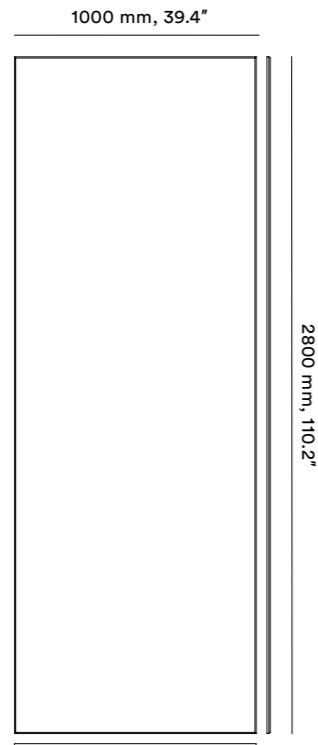
Wave
Pinstripe



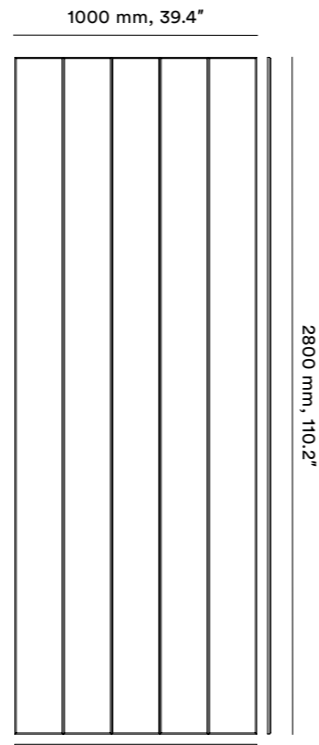
Flow
Pinstripe

BAUX Acoustic X-FELT Panels offer an ideal solution for bringing large and small spaces into acoustic balance. Their generous format makes them especially suited for covering expansive areas, and their lightweight yet durable construction allows for easy installation.

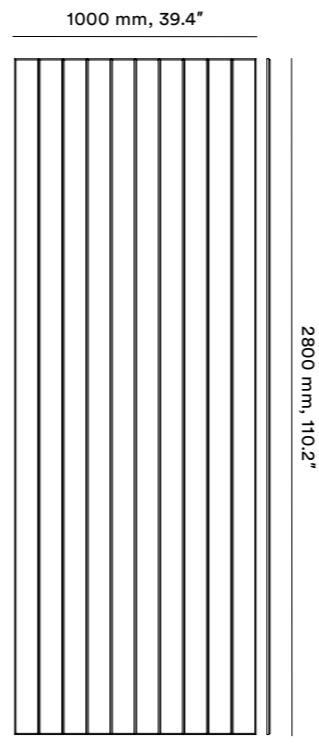
ACOUSTIC PANELS



Plain
Thickness: 12 mm, 0.5"
or 25 mm, 1.0"

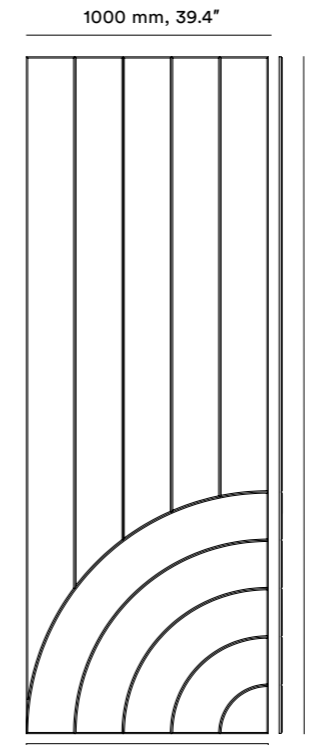


Straight Widestripe
Thickness: 12 mm, 0.5"
or 25 mm, 1.0"

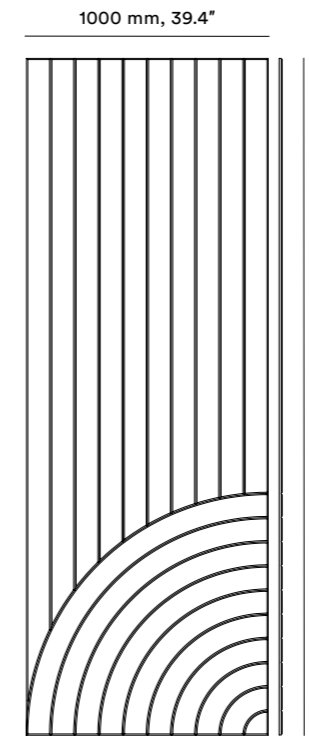


Straight Pinstripe
Thickness: 12 mm, 0.5"
or 25 mm, 1.0"

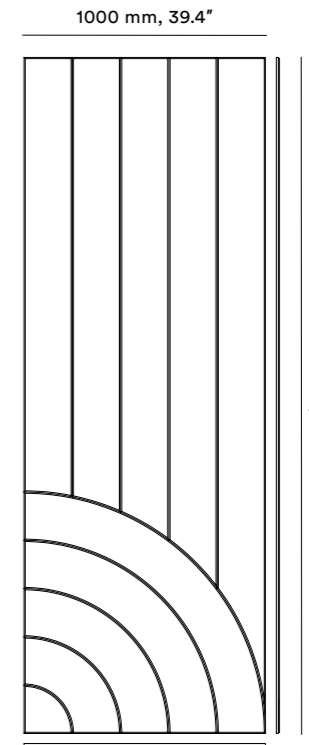
ACOUSTIC PANELS



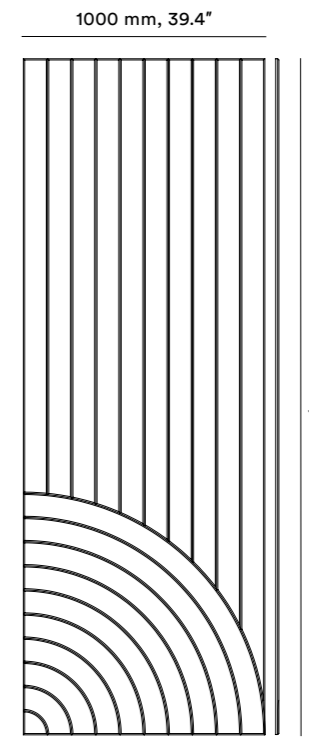
Ripple (R) Widestripe
Thickness: 12 mm, 0.5"
or 25 mm, 1.0"



Ripple (L) Pinstripe
Thickness: 12 mm, 0.5"
or 25 mm, 1.0"

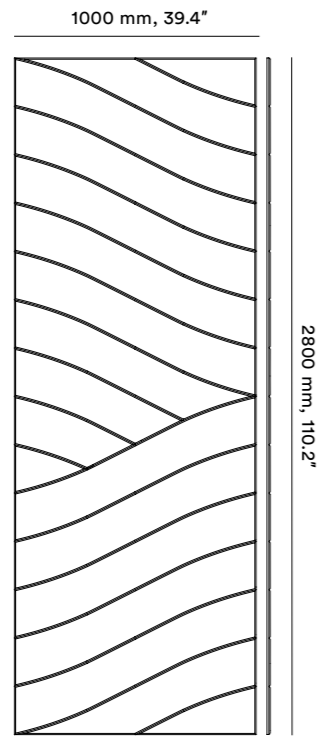


Ripple (L) Widestripe
Thickness: 12 mm, 0.5"
or 25 mm, 1.0"

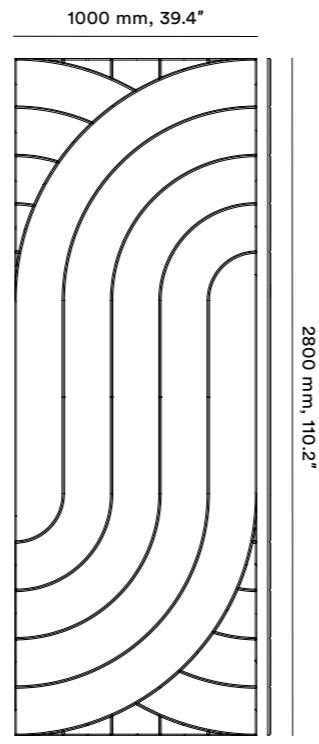


Ripple (L) Pinstripe
Thickness: 12 mm, 0.5"
or 25 mm, 1.0"

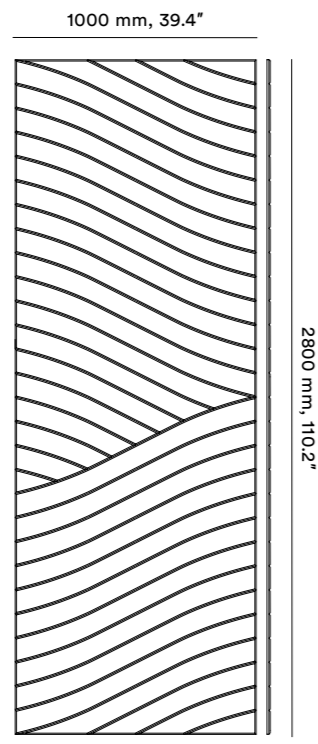
ACOUSTIC PANELS



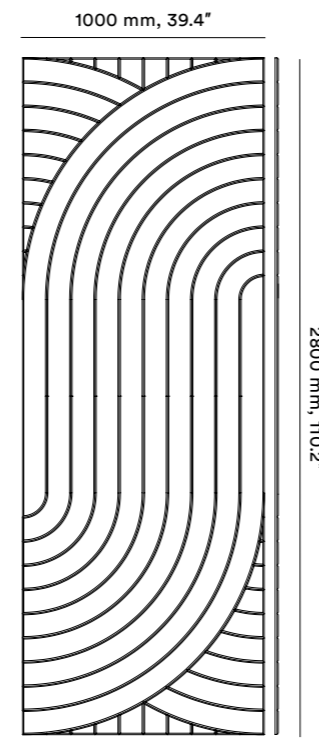
Wave Widestripe
Thickness: 12 mm, 0.5" or 25 mm, 1.0"



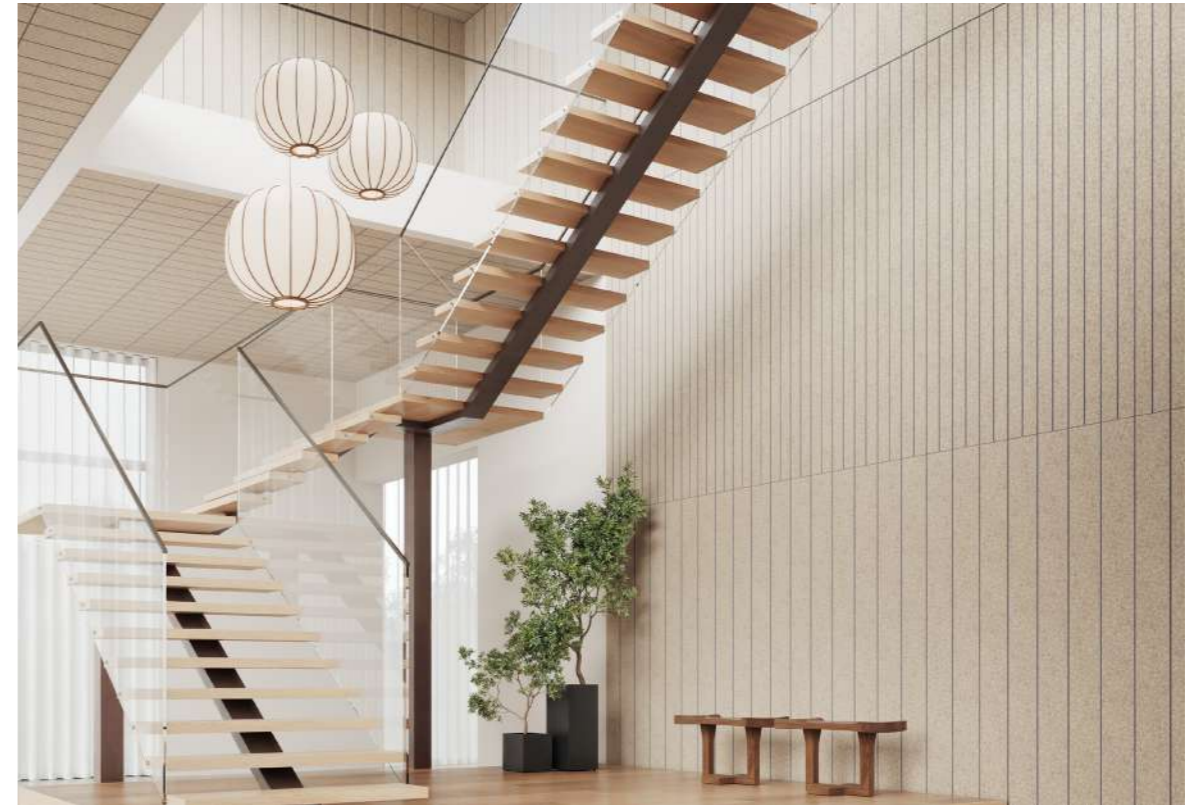
Flow Widestripe
Thickness: 12 mm, 0.5" or 25 mm, 1.0"



Wave Pinstripe
Thickness: 12 mm, 0.5" or 25 mm, 1.0"



Flow Pinstripe
Thickness: 12 mm, 0.5" or 25 mm, 1.0"



Acoustic Tiles



Plain



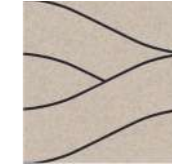
Straight
Widestripe



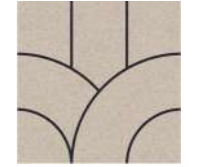
Ripple (R)
Widestripe



Ripple (L)
Widestripe



Wave
Widestripe



Flow
Widestripe



Straight
Pinstripe



Ripple (R)
Pinstripe



Ripple (L)
Pinstripe



Wave
Pinstripe



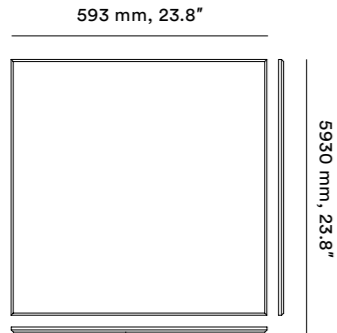
Flow
Pinstripe

BAUX Acoustic X-FELT Tiles are designed for versatile installation on ceilings while offering the flexibility to be installed on walls. The tiles are compatible with various ceiling T-grids or can be mounted directly onto walls and ceilings.

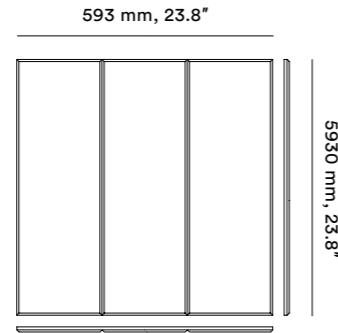


ACOUSTIC TILES

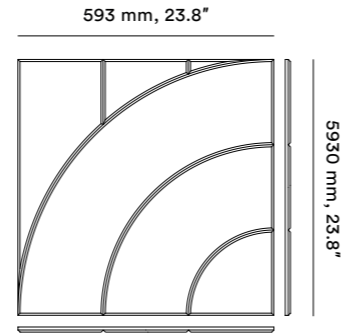
ACOUSTIC TILES



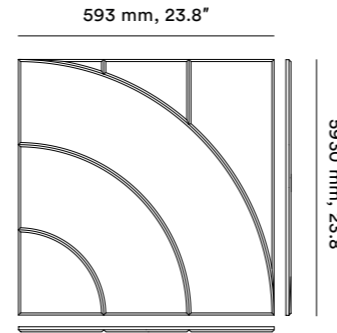
Plain
Thickness: 12 mm, 0.5"
or 25 mm, 1.0"



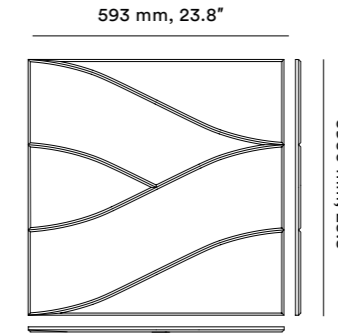
Straight Widestripe
Thickness: 12 mm, 0.5"
or 25 mm, 1.0"



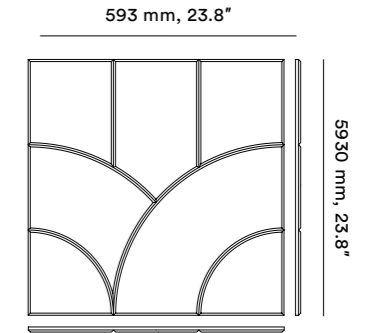
Ripple (R) Widestripe
Thickness: 12 mm, 0.5"
or 25 mm, 1.0"



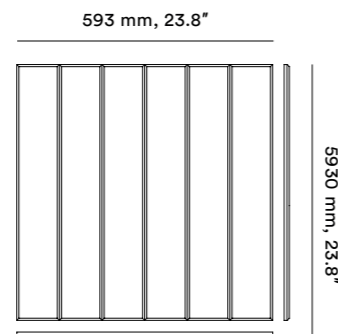
Ripple (L) Widestripe
Thickness: 12 mm, 0.5"
or 25 mm, 1.0"



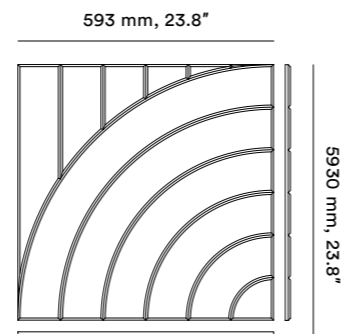
Wave Widestripe
Thickness: 12 mm, 0.5"
or 25 mm, 1.0"



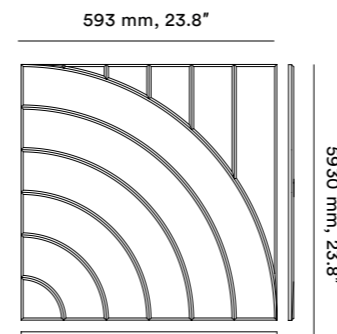
Flow Widestripe
Thickness: 12 mm, 0.5"
or 25 mm, 1.0"



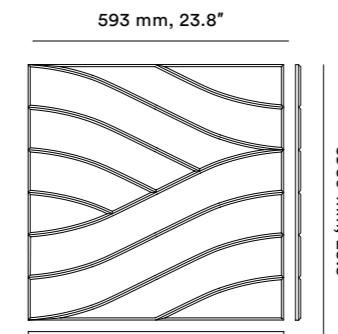
Straight Pinstripe
Thickness: 12 mm, 0.5"
or 25 mm, 1.0"



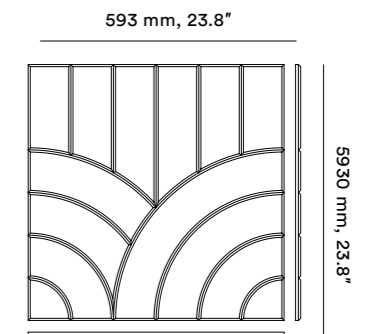
Ripple (R) Pinstripe
Thickness: 12 mm, 0.5"
or 25 mm, 1.0"



Ripple (L) Pinstripe
Thickness: 12 mm, 0.5"
or 25 mm, 1.0"



Wave Pinstripe
Thickness: 12 mm, 0.5"
or 25 mm, 1.0"



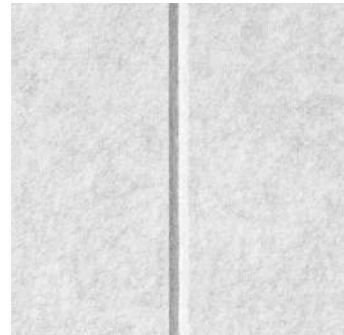
Flow Pinstripe
Thickness: 12 mm, 0.5"
or 25 mm, 1.0"



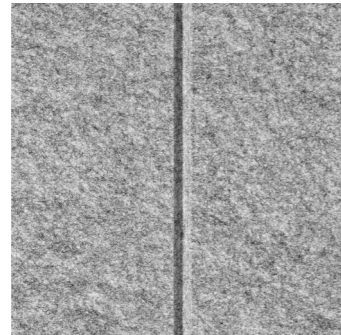
COLOUR ASSORTMENT

Colour Assortment

A versatile palette of colours sets you free to design diverse interior moods, ranging from monochrome to pastel and bold. Choose between minimalistic solid colours and contrasting duo colours that make the patterns pop. Small colour variations are normal when working with this recycled material.



Mono Chalk Grey



Mono Granite Grey



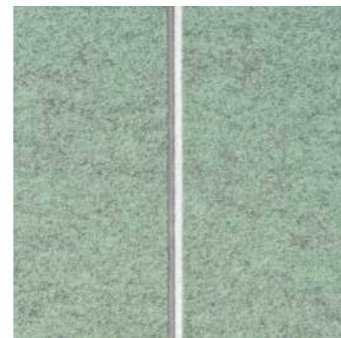
Mono Ash Black



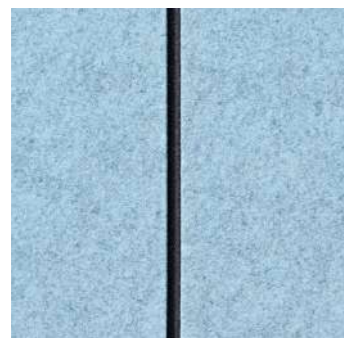
Duo Sand and Grey



Duo Brown Sand and Black



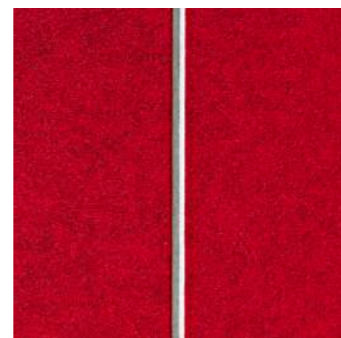
Duo Grass and Grey



Duo Sky Blue and Black



Duo Deep Waters and Grey



Duo Red Clay and Grey

Ceiling grids in matching colours

For an elegant and cohesive look, the ceiling grid can be ordered or painted in matching shades to complement the tiles. This allows for a seamless and harmonious design, enhancing the overall aesthetic of the space.



Grid Colours

Ceiling grid colours are available upon request. If you are considering painting the grid yourself, please contact BAUX for paint colour codes.



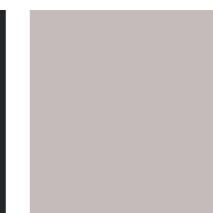
Chalk Grey



Granite Grey



Ash Black



Sand



Brown Sand



Grass



Sky Blue



Deep Waters



Clay Red



BAUX
LET'S BUILD!

www.baux.com