

Choose the language

**English**

**Italiano**

**Français**

**Deutsch**

# Thin-K / Thin-K Longo Sizes

**Depth 80 cm**  
Depth 31 4/8"

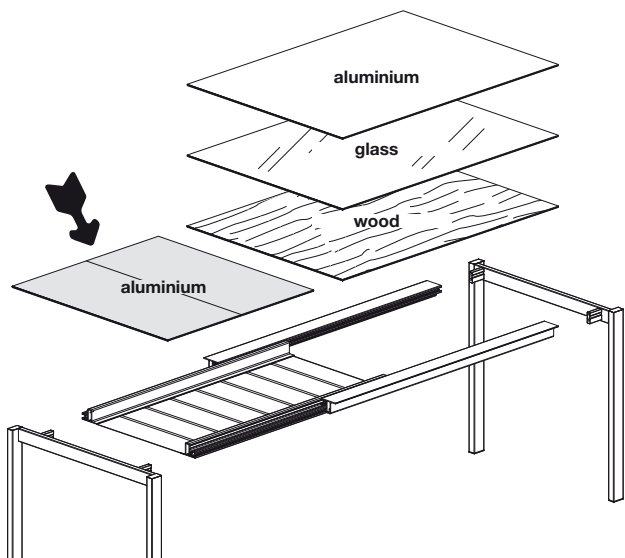
80	80 cm 31 4/8"	→ Aluminium
	123 cm 48 3/8"	→ Aluminium → Glass → Wood
	123/163/203 cm 48 3/8/64 1/8/79"	→ Aluminium → Glass → Wood
	150 cm 59"	→ Aluminium → Glass → Wood
	150/190/230 cm 59/74 7/8/90 1/2"	→ Aluminium → Glass → Wood

**Depth 90 cm**  
Depth 35 3/8"

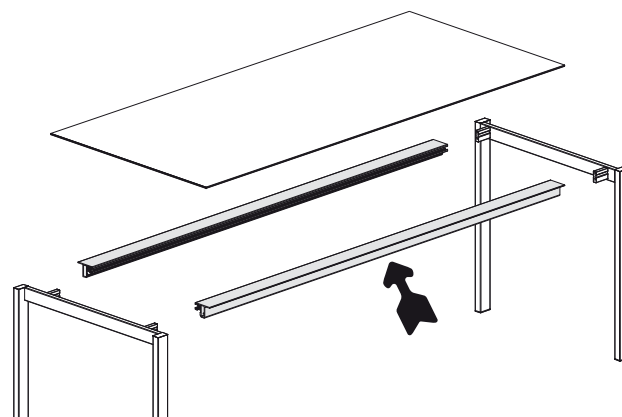
90	150 cm 59"	→ Aluminium → Glass
	150/190/230 cm 59/74 7/8/90 1/2"	→ Aluminium → Glass
	170 cm 66 7/8"	→ Aluminium → Glass → Wood
	170/210/250 cm 66 7/8/82 3/4/98 3/8"	→ Aluminium → Glass → Wood

**Depth 100 cm**  
Depth 39 3/8"

100	200 cm 78 3/4"	→ Aluminium → Wood
	200/240/280 cm 78 3/4/94 1/2/110 2/8"	→ Aluminium → Wood
	220 cm 86 5/8"	→ Aluminium → Wood
	240 cm 94 4/8"	→ Aluminium → Wood
	260 cm 102 3/8"	→ Aluminium → Wood
	280 cm 110 2/8"	→ Aluminium → Wood
	295 cm 116 1/8"	→ Aluminium → Wood



For Thin-K tables in an extendable version, the extensions are always in epoxy-powder lacquered aluminium (also for versions with a glass or wood top).



For Thin-K tables with an aluminium, wood or glass top, the under-top bars are in anodised aluminium.

Thin-K LONGO tables with aluminium top, have under-top bars lacquered in the same colour as the top.

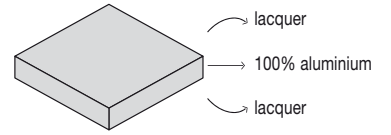
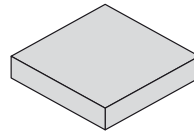
For Thin-K LONGO tables with a "European Oak" wood top, the under-top bars are in anodised aluminium.

For tops in "Black Oak", the aluminium bars are lacquered black.

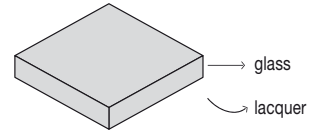
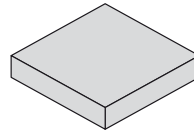
# Tops 6 mm thick

---

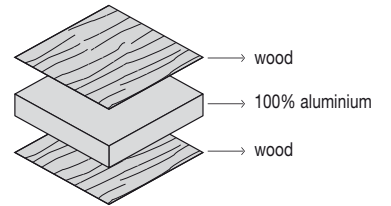
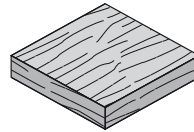
## Aluminium



## Glass



## Wood



Depth 120 cm  
Depth 47 2/8"

120	240 cm 94 4/8"	→ Aluminium → Wood
	260 cm 102 3/8"	→ Aluminium → Wood
	280 cm 110 2/8"	→ Aluminium → Wood
	295 cm 116 1/8"	→ Aluminium → Wood

Longo

# Thin-K aluminium

## Extensible/Fixed - Depth 80/90/100 cm.

### Leg finish:

Steel with aluminium grey lacquer (polyester powder coating) Ral 7042 (VP5)  
 Steel with white lacquer (polyester powder coating) Ral 9016 (VP1)  
 Steel with sand grey lacquer (polyester powder coating) Ral 9002 (VP2)  
 Steel with anthracite grey lacquer (polyester powder coating) Ral 7015 (VP3)  
 Steel with black lacquer (polyester powder coating) Ral 9004 (VP4)

### Top finish/external details on leg/extensions:

Aluminium with grey lacquer (polyester powder coating) Ral 7042 (VP5)  
 Aluminium with white lacquer (polyester powder coating) Ral 9016 (VP1)  
 Aluminium with sand grey lacquer (polyester powder coating) Ral 9002 (VP2)  
 Aluminium with anthracite grey lacquer (polyester powder coating) Ral 7015 (VP3)  
 Aluminium with black lacquer (polyester powder coating) Ral 9004 (VP4)

→ Under-top bars in anodised aluminium.

→ Important: sizes and finishes marked with (I) require longer production lead time, about 6 weeks from the date of the order.

→ Reinforced packaging, see page 205.

### Extensible (►)

Code	Length (L)	Depth	Legs	Top	Price in EURO	Packs	Vol. <sup>3</sup>	Kg
01THK01	123-163-203	80	lacquered	lacquered		1	0,27	54
01THK02	150-190-230	80	lacquered	lacquered		1	0,32	62
01THK10	150-190-230	90	lacquered	lacquered		1	0,36	65
01THK04	170-210-250	90	lacquered	lacquered		1	0,37	76
01THK05	200-240-280 (I)	100	lacquered	lacquered		1	0,5	91

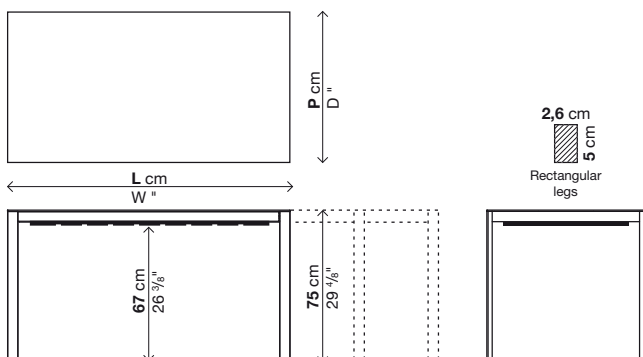
### Fixed (II)

Code	Length (L)	Depth	Legs	Top	Price in EURO	Packs	Vol. <sup>3</sup>	Kg
01THK03F	80	80	lacquered	lacquered		1	0,18	29
01THK01F	123	80	lacquered	lacquered		1	0,27	39
01THK02F	150	80	lacquered	lacquered		1	0,32	44
01THK10F	150	90	lacquered	lacquered		1	0,36	47
01THK04F	170	90	lacquered	lacquered		1	0,37	53
01THK05F	200 (I)	100	lacquered	lacquered		1	0,5	66

### Optionals

Code	Depth		Price in EURO	Packs	Vol. <sup>3</sup>	Kg
02RET01	80	plastic cable mesh		1	0,07	1
02RET02	90	plastic cable mesh		1	0,07	1
02RET03	100	plastic cable mesh		1	0,07	1
02VER01		vertebra, opal white methacrylate		1	0,007	1,5
02CPU07	80	CPU unit, opal white methacrylate		1	0,14	5,5
02CPU08	90	CPU unit, opal white methacrylate		1	0,14	5,5
02CPU09	100	CPU unit, opal white methacrylate		1	0,14	5,5

Cable hole and management, see page 9



# Thin-K Longo aluminium

## Fixed - Depth 100/120 cm.

### Leg finish:

Steel with aluminium grey lacquer (polyester powder coating) Ral 7042 (VP5)  
 Steel with white lacquer (polyester powder coating) Ral 9016 (VP1)  
 Steel with sand grey lacquer (polyester powder coating) Ral 9002 (VP2)  
 Steel with anthracite grey lacquer (polyester powder coating) Ral 7015 (VP3)  
 Steel with black lacquer (polyester powder coating) Ral 9004 (VP4)

### Top finish/external details on leg:

Aluminium with grey lacquer (polyester powder coating) Ral 7042 (VP5)  
 Aluminium with white lacquer (polyester powder coating) Ral 9016 (VP1)  
 Aluminium with sand grey lacquer (polyester powder coating) Ral 9002 (VP2)  
 Aluminium with anthracite grey lacquer (polyester powder coating) Ral 7015 (VP3)  
 Aluminium with black lacquer (polyester powder coating) Ral 9004 (VP4)

→ Under-top bars lacquered in the same colour as the top.

→ Important: sizes and finishes marked with (I) require longer production lead time, about 6 weeks from the date of the order.

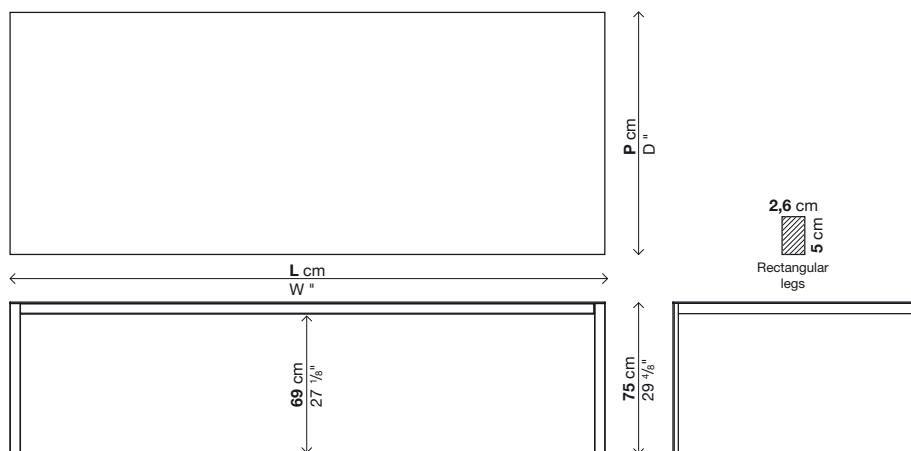
→ Reinforced packaging, see page 205.

### Fixed (II)

Code	Length (L)	Depth	Legs	Top	Price in EURO	Packs	Vol. <sup>3</sup>	Kg
01THK08F	220 (I)	100	lacquered	lacquered		1	0,55	80
01THK09F	240 (I)	100	lacquered	lacquered		1	0,59	86
01THK30F	260 (I)	100	lacquered	lacquered		1	0,64	91
01THK31F	280 (I)	100	lacquered	lacquered		1	0,68	97
01THK07F	295 (I)	100	lacquered	lacquered		1	0,73	101
01THK32F	240 (I)	120	lacquered	lacquered		1	0,69	110
01THK33F	260 (I)	120	lacquered	lacquered		1	0,75	118
01THK34F	280 (I)	120	lacquered	lacquered		1	0,8	125
01THK35F	295 (I)	120	lacquered	lacquered		1	0,86	131

### Optionals

Code	Depth		Price in EURO	Packs	Vol. <sup>3</sup>	Kg
02RET03	100	plastic cable mesh		1	0,07	1
02RET08	120	plastic cable mesh		1	0,07	1
02VER01		vertebra, opal white methacrylate		1	0,007	1,5
02CPU09	100	CPU unit, opal white methacrylate		1	0,14	5,5
Cable hole and management, see page 9						



# Thin-K wood

## Extensible/Fixed - Depth 80/90/100 cm.

### Leg finish:

Steel with aluminium grey lacquer (polyester powder coating) Ral 7042 (VP5)  
 Steel with white lacquer (polyester powder coating) Ral 9016 (VP1)  
 Steel with sand grey lacquer (polyester powder coating) Ral 9002 (VP2)  
 Steel with anthracite grey lacquer (polyester powder coating) Ral 7015 (VP3)  
 Steel with black lacquer (polyester powder coating) Ral 9004 (VP4)

### Top finish/external details on leg:

Brushed European Oak  
 Brushed black Oak

### Finish of extensions:

Aluminium with grey lacquer (polyester powder coating) Ral 7042 (VP5)  
 Aluminium with white lacquer (polyester powder coating) Ral 9016 (VP1)  
 Aluminium with sand grey lacquer (polyester powder coating) Ral 9002 (VP2)  
 Aluminium with anthracite grey lacquer (polyester powder coating) Ral 7015 (VP3)  
 Aluminium with black lacquer (polyester powder coating) Ral 9004 (VP4)

→ Under-top bars in anodised aluminium.

→ Important: sizes and finishes marked with (I) require longer production lead time, about 6 weeks from the date of the order.

→ Reinforced packaging, see page 205.

### Extensible (►)

Code	Length (L)	Depth	Legs	Top	Price in EURO	Packs	Vol.³	Kg
01THK40	123-163-203 (I)	80	lacquered	European oak		1	0,27	54
				black oak				
01THK41	150-190-230 (I)	80	lacquered	European oak		1	0,32	62
				black oak				
01THK42	170-210-250 (I)	90	lacquered	European oak		1	0,37	76
				black oak				
01THK43	200-240-280 (I)	100	lacquered	European oak		1	0,5	91
				black oak				

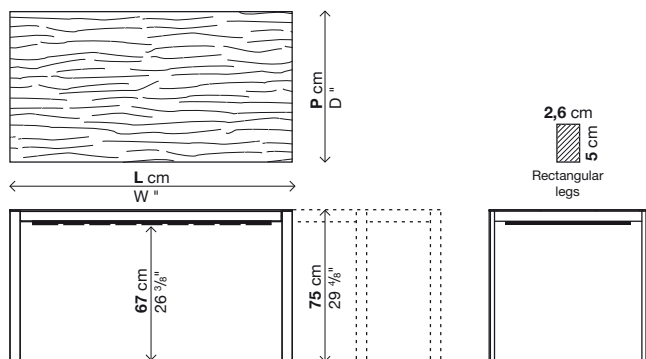
### Fixed (II)

Code	Length (L)	Depth	Legs	Top	Price in EURO	Packs	Vol.³	Kg
01THK40F	123 (I)	80	lacquered	European oak		1	0,27	39
				black oak				
01THK41F	150 (I)	80	lacquered	European oak		1	0,32	44
				black oak				
01THK42F	170 (I)	90	lacquered	European oak		1	0,37	53
				black oak				
01THK43F	200 (I)	100	lacquered	European oak		1	0,5	66
				black oak				

### Optionals

Code	Depth		Price in EURO	Packs	Vol.³	Kg
02RET01	80	plastic cable mesh		1	0,07	1
02RET02	90	plastic cable mesh		1	0,07	1
02RET03	100	plastic cable mesh		1	0,07	1
02VER01		vertebra, opal white methacrylate		1	0,007	1,5
02CPU07	80	CPU unit, opal white methacrylate		1	0,14	5,5
02CPU08	90	CPU unit, opal white methacrylate		1	0,14	5,5
02CPU09	100	CPU unit, opal white methacrylate		1	0,14	5,5

Cable hole and management, see page 9



# Thin-K Longo wood

## Fixed - Depth 100/120 cm.

### Leg finish:

Steel with aluminium grey lacquer (polyester powder coating) Ral 7042 (VP5)  
 Steel with white lacquer (polyester powder coating) Ral 9016 (VP1)  
 Steel with sand grey lacquer (polyester powder coating) Ral 9002 (VP2)  
 Steel with anthracite grey lacquer (polyester powder coating) Ral 7015 (VP3)  
 Steel with black lacquer (polyester powder coating) Ral 9004 (VP4)

### Top finish/external details on leg:

Brushed European Oak  
 Brushed black Oak

→ For Thin-K LONGO tables with a "European Oak" wood top, the under-top bars are in anodised aluminium.  
 For tops in "Black Oak", the aluminium bars are lacquered black.

→ Important: sizes and finishes marked with (I) require longer production lead time, about 6 weeks from the date of the order.

→ Reinforced packaging, see page 205.

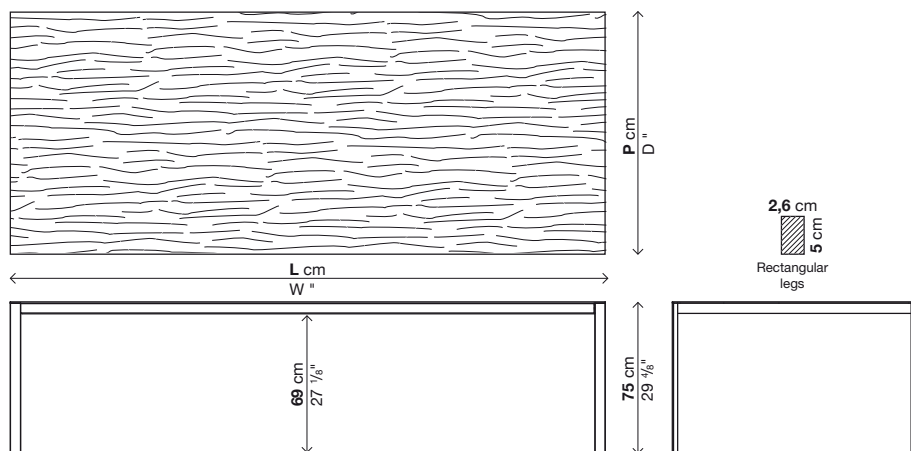
### Fixed (II)

Code	Length (L)	Depth	Legs	Top	Price in EURO	Packs	Vol. <sup>3</sup>	Kg
01THK44F	220 (I)	100	lacquered	European oak		1	0,55	80
				black oak				
01THK45F	240 (I)	100	lacquered	European oak		1	0,59	86
				black oak				
01THK46F	260 (I)	100	lacquered	European oak		1	0,64	91
				black oak				
01THK47F	280 (I)	100	lacquered	European oak		1	0,68	97
				black oak				
01THK48F	295 (I)	100	lacquered	European oak		1	0,73	101
				black oak				
01THK49F	240 (I)	120	lacquered	European oak		1	0,69	110
				black oak				
01THK50F	260 (I)	120	lacquered	European oak		1	0,75	118
				black oak				
01THK51F	280 (I)	120	lacquered	European oak		1	0,8	125
				black oak				
01THK52F	295 (I)	120	lacquered	European oak		1	0,86	131
				black oak				

### Optionals

Code	Depth		Price in EURO	Packs	Vol. <sup>3</sup>	Kg
02RET03	100	plastic cable mesh		1	0,07	1
02RET08	120	plastic cable mesh		1	0,07	1
02VER01		vertebra, opal white methacrylate		1	0,007	1,5
02CPU09	100	CPU unit, opal white methacrylate		1	0,14	5,5

Cable hole and management, see page 9



# Thin-K glass

## Extensible/Fixed - Depth 80/90 cm.

### Leg finish:

Steel with aluminium grey lacquer (polyester powder coating) Ral 7042 (VP5)  
 Steel with white lacquer (polyester powder coating) Ral 9016 (VP1)  
 Steel with sand grey lacquer (polyester powder coating) Ral 9002 (VP2)  
 Steel with anthracite grey lacquer (polyester powder coating) Ral 7015 (VP3)  
 Steel with black lacquer (polyester powder coating) Ral 9004 (VP4)

### Top finish/external details on leg:

Gloss glass in standard colours: extra white, anthracite, black, titanium  
 Gloss glass in RAL/NCS range colours on request  
 Matt glass in colours: extra white, anthracite grey, black, titanium

### Finish of extensions:

Aluminium with grey lacquer (polyester powder coating) Ral 7042 (VP5)  
 Aluminium with white lacquer (polyester powder coating) Ral 9016 (VP1)  
 Aluminium with sand grey lacquer (polyester powder coating) Ral 9002 (VP2)  
 Aluminium with anthracite grey lacquer (polyester powder coating) Ral 7015 (VP3)  
 Aluminium with black lacquer (polyester powder coating) Ral 9004 (VP4)

→ Under-top bars in anodised aluminium.  
 → Important: sizes and finishes marked with (!) require longer production lead time, about 6 weeks from the date of the order.  
 → Please note: variations in shade against selected RAL/NCS sample cannot be avoided and are caused by colour refracting through the thickness of the glass.  
 RAL/NCS colours are not available in shades of white.  
 → Reinforced packaging, see page 205.

### Extensible (▶)

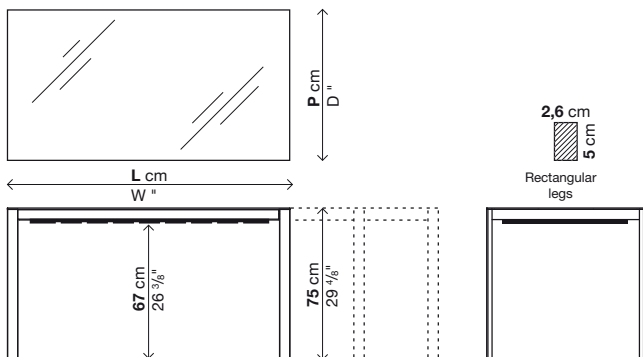
Code	Length (L)	Depth	Legs	Top	Price in EURO	Packs	Vol. <sup>3</sup>	Kg
01THK11	123-163-203	80	lacquered	gloss in standard	1	0,27	54	
				gloss in RAL/NCS (!)				
				matt glass				
01THK12	150-190-230	80	lacquered	gloss in standard	1	0,32	62	
				gloss in RAL/NCS (!)				
				matt glass				
01THK15	150-190-231	90	lacquered	gloss in standard	1	0,36	66	
				gloss in RAL/NCS (!)				
				matt glass				
01THK14	170-210-250	90	lacquered	gloss in standard	1	0,37	76	
				gloss in RAL/NCS (!)				
				matt glass				

### Fixed (||)

Code	Length (L)	Depth	Legs	Top	Price in EURO	Packs	Vol. <sup>3</sup>	Kg
01THK11F	123	80	lacquered	gloss in standard	1	0,27	39	
				gloss in RAL/NCS (!)				
				matt glass				
01THK12F	150	80	lacquered	gloss in standard	1	0,32	44	
				gloss in RAL/NCS (!)				
				matt glass				
01THK15F	150	90	lacquered	gloss in standard	1	0,36	47	
				gloss in RAL/NCS (!)				
				matt glass				
01THK14F	170	90	lacquered	gloss in standard	1	0,37	53	
				gloss in RAL/NCS (!)				
				matt glass				

### Optionals

Code	Depth		Price in EURO	Packs	Vol. <sup>3</sup>	Kg
02RET01	80	plastic cable mesh	1	0,07	1	
02RET02	90	plastic cable mesh	1	0,07	1	
02VER01		vertebra, opal white methacrylate	1	0,007	1,5	
02CPU07	80	CPU unit, opal white methacrylate	1	0,14	5,5	
02CPU08	90	CPU unit, opal white methacrylate	1	0,14	5,5	



# Thin-K / Thin-K Longo

## Cable hole and management

### Finish:

Anodised aluminium  
 White lacquered aluminium  
 Black lacquered aluminium

- Only tables in a fixed version with aluminium or wood tops can be equipped with cable cutouts (cable cutouts are not available for glass tops).
- The price includes the cutout in the top.
- Supply a technical drawing with the required position for the cable hole, making sure that it is positioned in the area shown below.
- Each table can have more than one cable hole.
- The cable hole can be positioned parallel or perpendicular to the long side (except for tables D.120cm, which require the parallel position).

### Rectangular Cable hole (cm 30 x 9)

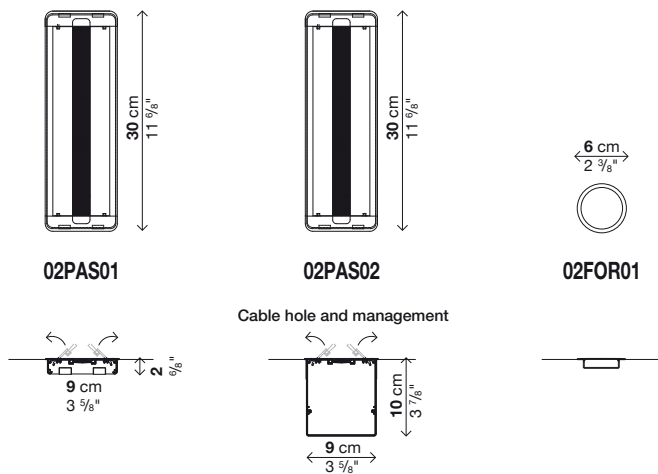
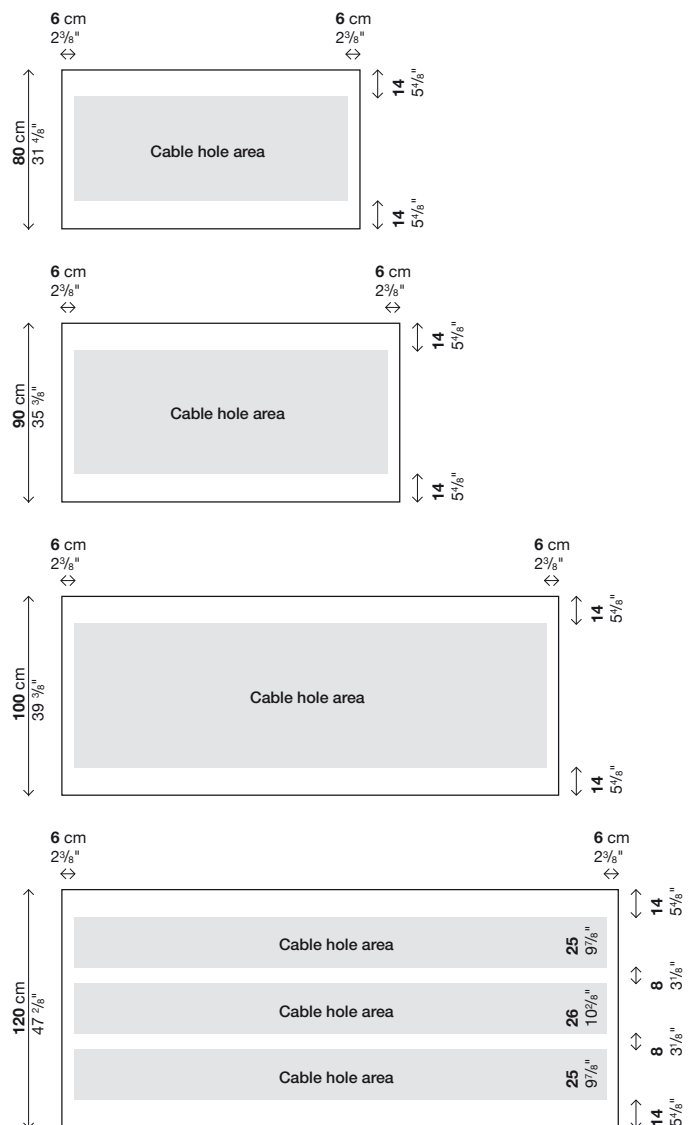
Code	Finish	Price in EURO	Packs	Vol. <sup>3</sup>	Kg
02PAS01	anodised aluminium		-	-	0,5
	lacquered		-	-	0,5

### Rectangular Cable hole (cm 30 x 9) Cable hole and management

Code	Finish	Price in EURO	Packs	Vol. <sup>3</sup>	Kg
02PAS02	anodised aluminium		-	-	0,8
	lacquered		-	-	0,8

### Cable cutout Ø 6 cm

Code	Finish	Price in EURO	Packs	Vol. <sup>3</sup>	Kg
02FOR01	lacquered		-	-	-



# Thin-K / Thin-K Longo

## Legenda dimensioni

**Prof. 80 cm**  
Depth 31 4/8"

80 cm 31 4/8"	→ Alluminio
123 cm 48 3/8"	→ Alluminio → Vetro → Legno
123/163/203 cm 48 3/8/64 1/8/79"	→ Alluminio → Vetro → Legno
150 cm 59"	→ Alluminio → Vetro → Legno
150/190/230 cm 59/74 7/8/90 1/2"	→ Alluminio → Vetro → Legno

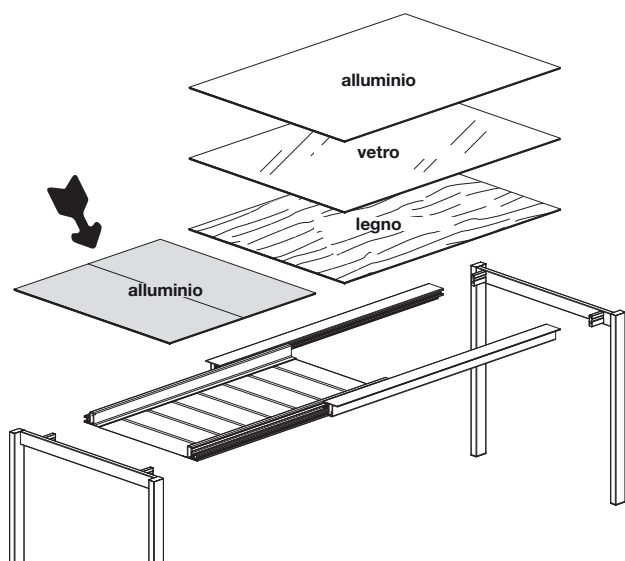
**Prof. 90 cm**  
Depth 35 3/8"

90	150 cm 59"	→ Alluminio → Vetro
	150/190/230 cm 59/74 7/8/90 1/2"	→ Alluminio → Vetro
	170 cm 66 7/8"	→ Alluminio → Vetro → Legno
	170/210/250 cm 66 7/8/82 3/4/98 3/8"	→ Alluminio → Vetro → Legno

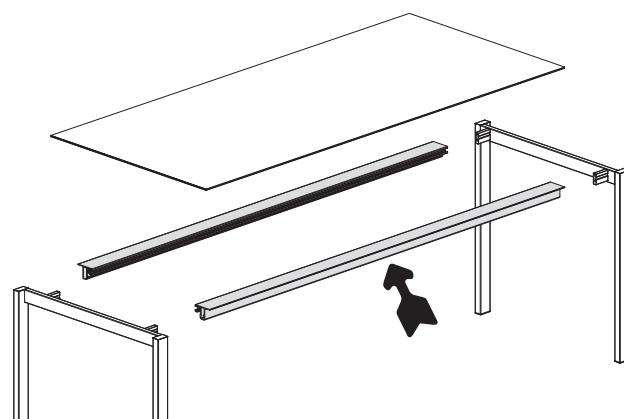
**Prof. 100 cm**  
Depth 39 3/8"

100	200 cm 78 3/4"	→ Alluminio → Legno
	200/240/280 cm 78 3/4/94 1/2/110 2/8"	→ Alluminio → Legno
	220 cm 86 5/8"	→ Alluminio → Legno
	240 cm 94 4/8"	→ Alluminio → Legno
	260 cm 102 3/8"	→ Alluminio → Legno
	280 cm 110 2/8"	→ Alluminio → Legno
	295 cm 116 1/8"	→ Alluminio → Legno

Longo



Nei tavoli Thin-K in versione allungabile le prolunghe sono sempre in alluminio verniciato a polveri (anche nelle versioni con piano in vetro o legno).



Nei tavoli Thin-K con piano in alluminio, legno o vetro, le trafilte sottopiano sono in alluminio anodizzato.

Nei tavoli Thin-K LONGO con piano in alluminio, le trafilte sottopiano sono verniciate dello stesso colore del piano.

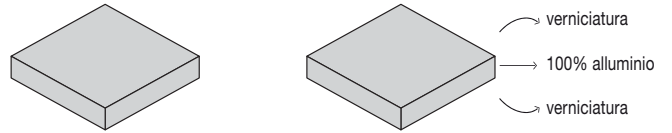
Nei tavoli Thin-K LONGO con piano in legno "Rovere europeo", le trafilte sottopiano sono in alluminio anodizzato.  
Nel caso di piano in "Rovere nero" le trafilte sottopiano sono verniciate di colore nero.

# Piani Sp. 6 mm

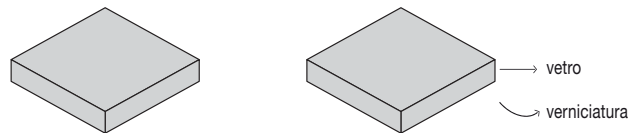
Prof. 120 cm  
Depth 47 2/8"

120	240 cm 94 4/8"	→ Alluminio → Legno	Longo
	260 cm 102 3/8"	→ Alluminio → Legno	
	280 cm 110 2/8"	→ Alluminio → Legno	
	295 cm 116 1/8"	→ Alluminio → Legno	

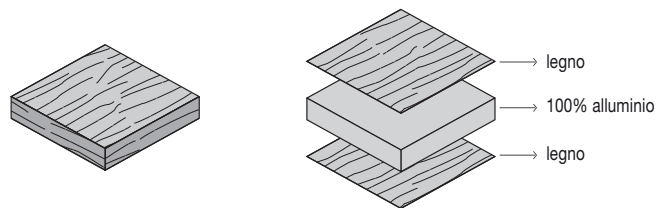
## Alluminio



## Vetro



## Legno



# Thin-K alluminio

## Allungabile/Fisso - Prof. 80/90/100 cm.

### Finitura gambe:

Acciaio verniciato a polveri poliestere grigio alluminio Ral 7042 (VP5)  
 Acciaio verniciato a polveri poliestere bianco Ral 9016 (VP1)  
 Acciaio verniciato a polveri poliestere grigio sabbia Ral 9002 (VP2)  
 Acciaio verniciato a polveri poliestere grigio antracite Ral 7015 (VP3)  
 Acciaio verniciato a polveri poliestere nero Ral 9004 (VP4)

### Finitura piano/gambe particolari esterni/prolunghe:

Alluminio verniciato a polveri poliestere grigio alluminio Ral 7042 (VP5)  
 Alluminio verniciato a polveri poliestere bianco Ral 9016 (VP1)  
 Alluminio verniciato a polveri poliestere grigio sabbia Ral 9002 (VP2)  
 Alluminio verniciato a polveri poliestere grigio antracite Ral 7015 (VP3)  
 Alluminio verniciato a polveri poliestere nero Ral 9004 (VP4)

→ *Trafile sottopiano in alluminio anodizzato.*

→ *Attenzione: le misure o le finiture contrassegnate con (I) hanno tempi di produzione più lunghi, circa 6 settimane dalla data dell'ordine.*

→ *Imballi rinforzati vedi pag. 205.*

### Allungabile (►)

Codice	Lunghezza (L)	Prof.	Gambe	Piano	Prezzi EURO	coll.	m <sup>3</sup>	Kg
01THK01	123-163-203	80	verniciato	verniciato		1	0,27	54
01THK02	150-190-230	80	verniciato	verniciato		1	0,32	62
01THK10	150-190-230	90	verniciato	verniciato		1	0,36	65
01THK04	170-210-250	90	verniciato	verniciato		1	0,37	76
01THK05	200-240-280 (I)	100	verniciato	verniciato		1	0,5	91

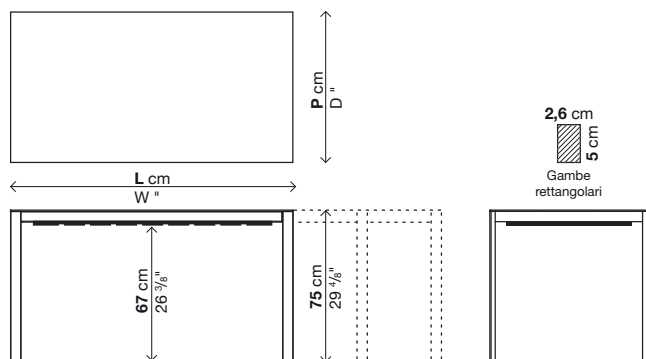
### Fisso (II)

Codice	Lunghezza (L)	Prof.	Gambe	Piano	Prezzi EURO	coll.	m <sup>3</sup>	Kg
01THK03F	80	80	verniciato	verniciato		1	0,18	29
01THK01F	123	80	verniciato	verniciato		1	0,27	39
01THK02F	150	80	verniciato	verniciato		1	0,32	44
01THK10F	150	90	verniciato	verniciato		1	0,36	47
01THK04F	170	90	verniciato	verniciato		1	0,37	53
01THK05F	200 (I)	100	verniciato	verniciato		1	0,5	66

### Optionals

Codice	Prof		Prezzi EURO	coll.	m <sup>3</sup>	Kg
02RET01	80	rete cablaggio, materiale plastico		1	0,07	1
02RET02	90	rete cablaggio, materiale plastico		1	0,07	1
02RET03	100	rete cablaggio, materiale plastico		1	0,07	1
02VER01		vertebra, metacrilato opalino		1	0,007	1,5
02CPU07	80	porta CPU, metacrilato opalino		1	0,14	5,5
02CPU08	90	porta CPU, metacrilato opalino		1	0,14	5,5
02CPU09	100	porta CPU, metacrilato opalino		1	0,14	5,5

Passacavi, vedi pag. 9



# Thin-K Longo alluminio

## Fisso - Prof. 100/120 cm.

### Finitura gambe:

Acciaio verniciato a polveri poliestere grigio alluminio Ral 7042 (VP5)  
 Acciaio verniciato a polveri poliestere bianco Ral 9016 (VP1)  
 Acciaio verniciato a polveri poliestere grigio sabbia Ral 9002 (VP2)  
 Acciaio verniciato a polveri poliestere grigio antracite Ral 7015 (VP3)  
 Acciaio verniciato a polveri poliestere nero Ral 9004 (VP4)

### Finitura piano/gambe particolari esterni:

Alluminio verniciato a polveri poliestere grigio alluminio Ral 7042 (VP5)  
 Alluminio verniciato a polveri poliestere bianco Ral 9016 (VP1)  
 Alluminio verniciato a polveri poliestere grigio sabbia Ral 9002 (VP2)  
 Alluminio verniciato a polveri poliestere grigio antracite Ral 7015 (VP3)  
 Alluminio verniciato a polveri poliestere nero Ral 9004 (VP4)

→ *Trafile sottopiano verniciate dello stesso colore del piano.*

→ *Attenzione: le misure o le finiture contrassegnate con (I) hanno tempi di produzione più lunghi, circa 6 settimane dalla data dell'ordine.*

→ *Imballi rinforzati vedi pag. 205.*

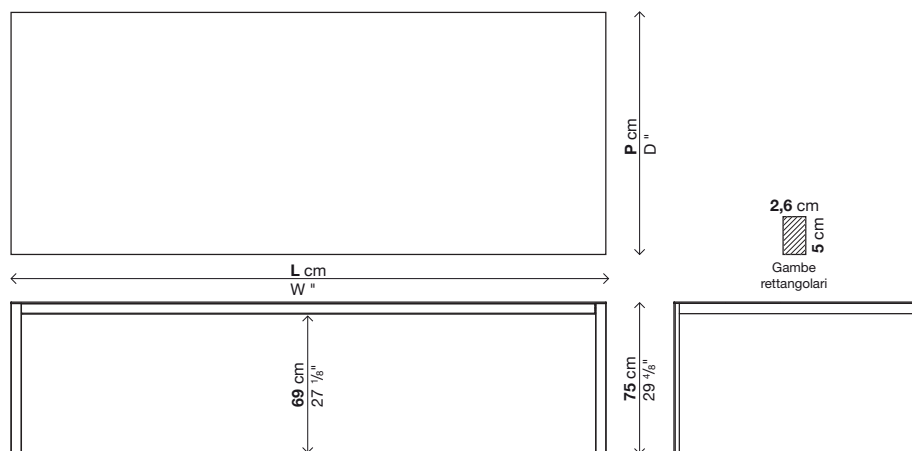
### Fisso (II)

Codice	Lunghezza (L)	Prof.	Gambe	Piano	Prezzi EURO	coll.	m <sup>2</sup>	Kg
01THK08F	220 (I)	100	verniciato	verniciato	1	0,55	80	
01THK09F	240 (I)	100	verniciato	verniciato	1	0,59	86	
01THK30F	260 (I)	100	verniciato	verniciato	1	0,64	91	
01THK31F	280 (I)	100	verniciato	verniciato	1	0,68	97	
01THK07F	295 (I)	100	verniciato	verniciato	1	0,73	101	
01THK32F	240 (I)	120	verniciato	verniciato	1	0,69	110	
01THK33F	260 (I)	120	verniciato	verniciato	1	0,75	118	
01THK34F	280 (I)	120	verniciato	verniciato	1	0,8	125	
01THK35F	295 (I)	120	verniciato	verniciato	1	0,86	131	

### Optionals

Codice	Prof		Prezzi EURO	coll.	m <sup>2</sup>	Kg
02RET03	100	rete cablaggio, materiale plastico	1	0,07	1	
02RET08	120	rete cablaggio, materiale plastico	1	0,07	1	
02VER01		vertebra, metacrilato opalino	1	0,007	1,5	
02CPU09	100	porta CPU, metacrilato opalino	1	0,14	5,5	

Passacavi, vedi pag. 9



# Thin-K legno

## Allungabile/Fisso - Prof. 80/90/100 cm.

### Finitura gambe:

Acciaio verniciato a polveri poliestere grigio alluminio Ral 7042 (VP5)  
 Acciaio verniciato a polveri poliestere bianco Ral 9016 (VP1)  
 Acciaio verniciato a polveri poliestere grigio sabbia Ral 9002 (VP2)  
 Acciaio verniciato a polveri poliestere grigio antracite Ral 7015 (VP3)  
 Acciaio verniciato a polveri poliestere nero Ral 9004 (VP4)

### Finitura piano/gambe particolari esterni:

Rovere europeo spazzolato

Rovere nero spazzolato

### Finitura prolunghe:

Alluminio verniciato a polveri poliestere grigio alluminio Ral 7042 (VP5)  
 Alluminio verniciato a polveri poliestere bianco Ral 9016 (VP1)  
 Alluminio verniciato a polveri poliestere grigio sabbia Ral 9002 (VP2)  
 Alluminio verniciato a polveri poliestere grigio antracite Ral 7015 (VP3)  
 Alluminio verniciato a polveri poliestere nero Ral 9004 (VP4)

→ Traffle sottopiano in alluminio anodizzato.

→ Attenzione: le misure o le finiture contrassegnate con (!) hanno tempi di produzione più lunghi, circa 6 settimane dalla data dell'ordine.

→ Imballi rinforzati vedi pag. 205.

### Allungabile (►)

Codice	Lunghezza (L)	Prof.	Gambe	Piano	Prezzi EURO	colli	m <sup>3</sup>	Kg
01THK40	123-163-203 (!)	80	verniciato	rovere europeo		1	0,27	54
				rovere nero				
01THK41	150-190-230 (!)	80	verniciato	rovere europeo		1	0,32	62
				rovere nero				
01THK42	170-210-250 (!)	90	verniciato	rovere europeo		1	0,37	76
				rovere nero				
01THK43	200-240-280 (!)	100	verniciato	rovere europeo		1	0,5	91
				rovere nero				

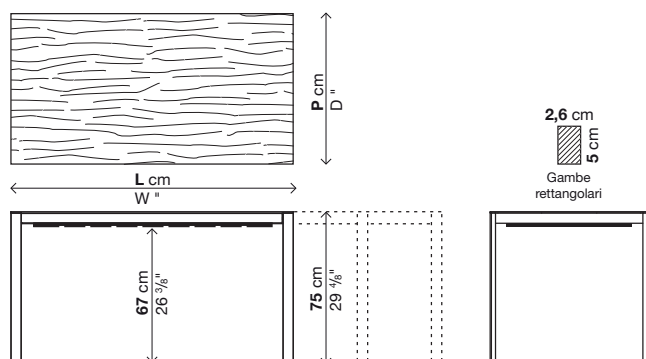
### Fisso (II)

Codice	Lunghezza (L)	Prof.	Gambe	Piano	Prezzi EURO	colli	m <sup>3</sup>	Kg
01THK40F	123 (!)	80	verniciato	rovere europeo		1	0,27	39
				rovere nero				
01THK41F	150 (!)	80	verniciato	rovere europeo		1	0,32	44
				rovere nero				
01THK42F	170 (!)	90	verniciato	rovere europeo		1	0,37	53
				rovere nero				
01THK43F	200 (!)	100	verniciato	rovere europeo		1	0,5	66
				rovere nero				

### Optionals

Codice	Prof		Prezzi EURO	colli	m <sup>3</sup>	Kg
02RET01	80	rete cablaggio, materiale plastico		1	0,07	1
02RET02	90	rete cablaggio, materiale plastico		1	0,07	1
02RET03	100	rete cablaggio, materiale plastico		1	0,07	1
02VER01		vertebra, metacrilato opalino		1	0,007	1,5
02CPU07	80	porta CPU, metacrilato opalino		1	0,14	5,5
02CPU08	90	porta CPU, metacrilato opalino		1	0,14	5,5
02CPU09	100	porta CPU, metacrilato opalino		1	0,14	5,5

Passacavi, vedi pag. 9



# Thin-K Longo legno

## Fisso - Prof. 100/120 cm.

### Finitura gambe:

Acciaio verniciato a polveri poliestere grigio alluminio Ral 7042 (VP5)

Acciaio verniciato a polveri poliestere bianco Ral 9016 (VP1)

Acciaio verniciato a polveri poliestere grigio sabbia Ral 9002 (VP2)

Acciaio verniciato a polveri poliestere grigio antracite Ral 7015 (VP3)

Acciaio verniciato a polveri poliestere nero Ral 9004 (VP4)

### Finitura piano/gambe particolari esterni:

Rovere europeo spazzolato

Rovere nero spazzolato

→ Nei tavoli Thin-K LONGO con piano in legno "Rovere europeo", le trafilie sottopiano sono in alluminio anodizzato.

Nel caso di piano in "Rovere nero" le trafilie sottopiano sono verniciate di colore nero.

→ Attenzione: le misure o le finiture contrassegnate con (I) hanno tempi di produzione più lunghi, circa 6 settimane dalla data dell'ordine.

→ Imballi rinforzati vedi pag. 205.

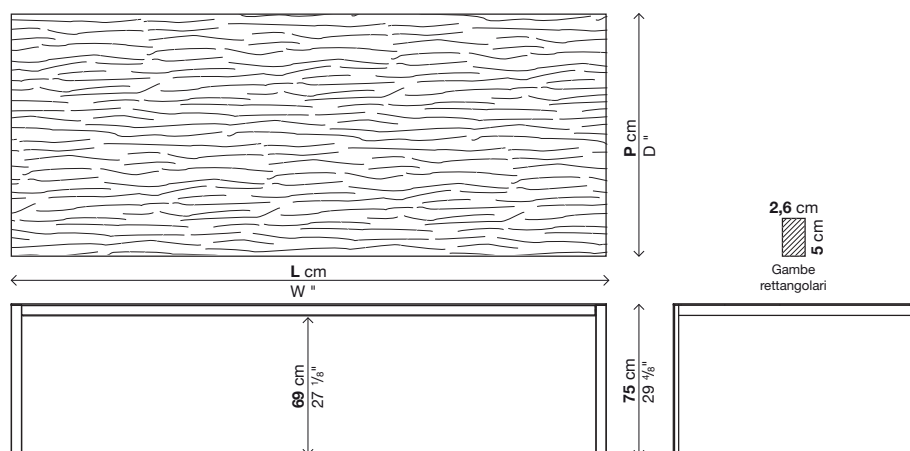
### Fisso (II)

Codice	Lunghezza (L)	Prof.	Gambe	Piano	Prezzi EURO	coll.	m <sup>2</sup>	Kg
01THK44F	220 (I)	100	verniciato	rovere europeo	1	0,55	80	
				rovere nero				
01THK45F	240 (I)	100	verniciato	rovere europeo	1	0,59	86	
				rovere nero				
01THK46F	260 (I)	100	verniciato	rovere europeo	1	0,64	91	
				rovere nero				
01THK47F	280 (I)	100	verniciato	rovere europeo	1	0,68	97	
				rovere nero				
01THK48F	295 (I)	100	verniciato	rovere europeo	1	0,73	101	
				rovere nero				
01THK49F	240 (I)	120	verniciato	rovere europeo	1	0,69	110	
				rovere nero				
01THK50F	260 (I)	120	verniciato	rovere europeo	1	0,75	118	
				rovere nero				
01THK51F	280 (I)	120	verniciato	rovere europeo	1	0,8	125	
				rovere nero				
01THK52F	295 (I)	120	verniciato	rovere europeo	1	0,86	131	
				rovere nero				

### Optionals

Codice	Prof		Prezzi EURO	coll.	m <sup>2</sup>	Kg
02RET03	100	rete cablaggio, materiale plastico		1	0,07	1
02RET08	120	rete cablaggio, materiale plastico		1	0,07	1
02VER01		vertebra, metacrilato opalino		1	0,007	1,5
02CPU09	100	porta CPU, metacrilato opalino		1	0,14	5,5

Passacavi, vedi pag. 9



# Thin-K vetro

## Allungabile/Fisso - Prof. 80/90 cm.

### Finitura gambe:

Acciaio verniciato a polveri poliestere grigio alluminio Ral 7042 (VP5)  
 Acciaio verniciato a polveri poliestere bianco Ral 9016 (VP1)  
 Acciaio verniciato a polveri poliestere grigio sabbia Ral 9002 (VP2)  
 Acciaio verniciato a polveri poliestere grigio antracite Ral 7015 (VP3)  
 Acciaio verniciato a polveri poliestere nero Ral 9004 (VP4)

### Finitura piano/gambe particolari esterni:

Vetro lucido colori standard: extra white, grigio antracite, nero, titanio  
 Vetro lucido colori scala RAL/NCS a richiesta

Vetro opaco colori: extra white, grigio antracite, nero, titanio

### Finitura prolunghe:

Alluminio verniciato a polveri poliestere grigio alluminio Ral 7042 (VP5)  
 Alluminio verniciato a polveri poliestere bianco Ral 9016 (VP1)  
 Alluminio verniciato a polveri poliestere grigio sabbia Ral 9002 (VP2)  
 Alluminio verniciato a polveri poliestere grigio antracite Ral 7015 (VP3)  
 Alluminio verniciato a polveri poliestere nero Ral 9004 (VP4)

→ *Trafile sottopiano in alluminio anodizzato.*

→ *Attenzione: le misure o le finiture contrassegnate con (!) hanno tempi di produzione più lunghi, circa 6 settimane dalla data dell'ordine.*

→ *Attenzione: variazioni di tonalità rispetto al campione RAL/NCS scelto sono inevitabili e dovute alla rifrazione del colore attraverso lo spessore del vetro.  
 Non si effettuano colori RAL/NCS a richiesta nelle tonalità del bianco.*

→ *Imballi rinforzati vedi pag. 205.*

### Allungabile (►)

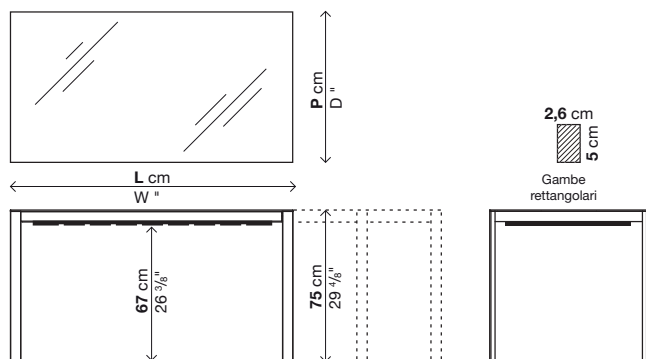
Codice	Lunghezza (L)	Prof.	Gambe	Piano	Prezzi EURO	coll.	m <sup>2</sup>	Kg
01THK11	123-163-203	80	verniciato	lucido standard	1	0,27	54	
				lucido RAL/NCS (!)				
				vetro opaco				
01THK12	150-190-230	80	verniciato	lucido standard	1	0,32	62	
				lucido RAL/NCS (!)				
				vetro opaco				
01THK15	150-190-231	90	verniciato	lucido standard	1	0,36	66	
				lucido RAL/NCS (!)				
				vetro opaco				
01THK14	170-210-250	90	verniciato	lucido standard	1	0,37	76	
				lucido RAL/NCS (!)				
				vetro opaco				

### Fisso (II)

Codice	Lunghezza (L)	Prof.	Gambe	Piano	Prezzi EURO	coll.	m <sup>2</sup>	Kg
01THK11F	123	80	verniciato	lucido standard	1	0,27	39	
				lucido RAL/NCS (!)				
				vetro opaco				
01THK12F	150	80	verniciato	lucido standard	1	0,32	44	
				lucido RAL/NCS (!)				
				vetro opaco				
01THK15F	150	90	verniciato	lucido standard	1	0,36	47	
				lucido RAL/NCS (!)				
				vetro opaco				
01THK14F	170	90	verniciato	lucido standard	1	0,37	53	
				lucido RAL/NCS (!)				
				vetro opaco				

### Optionals

Codice	Prof.		Prezzi EURO	coll.	m <sup>2</sup>	Kg
02RET01	80	rete cablaggio, materiale plastico	1	0,07	1	
02RET02	90	rete cablaggio, materiale plastico	1	0,07	1	
02VER01		vertebra, metacrilato opalino	1	0,007	1,5	
02CPU07	80	porta CPU, metacrilato opalino	1	0,14	5,5	
02CPU08	90	porta CPU, metacrilato opalino	1	0,14	5,5	



# Thin-K / Thin-K Longo

## Passacavi

### Finitura:

Alluminio anodizzato  
 Alluminio verniciato bianco  
 Alluminio verniciato nero

- Solo i tavoli in versione fissa e con piani in alluminio o legno possono essere attrezzati con il passacavi (nei piani in vetro non è previsto nessun passacavi).
- Il prezzo è comprensivo del foro del piano.
- Fornire un disegno tecnico con la posizione desiderata del passacavi facendo attenzione di posizionarlo all'interno delle aree sotto indicate.
- Possono esserci più di un passacavi per ogni tavolo.
- E' possibile posizionare il passacavi parallelo o perpendicolare rispetto al lato lungo (ad eccezione dei tavoli Prof.120 cm dove è obbligatorio il senso parallelo).

### Passacavi rettangolare (30 x 9 cm)

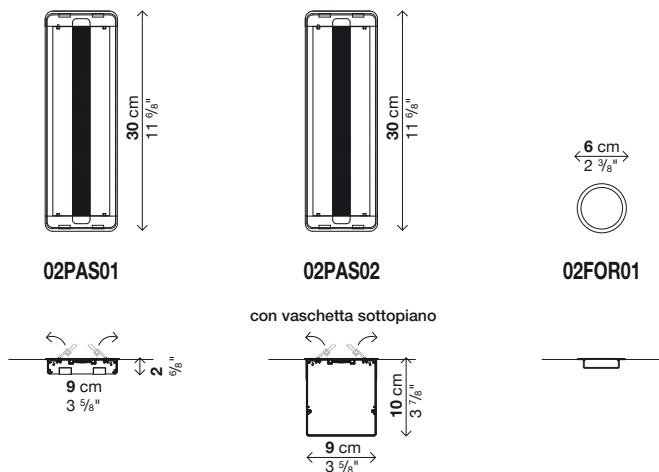
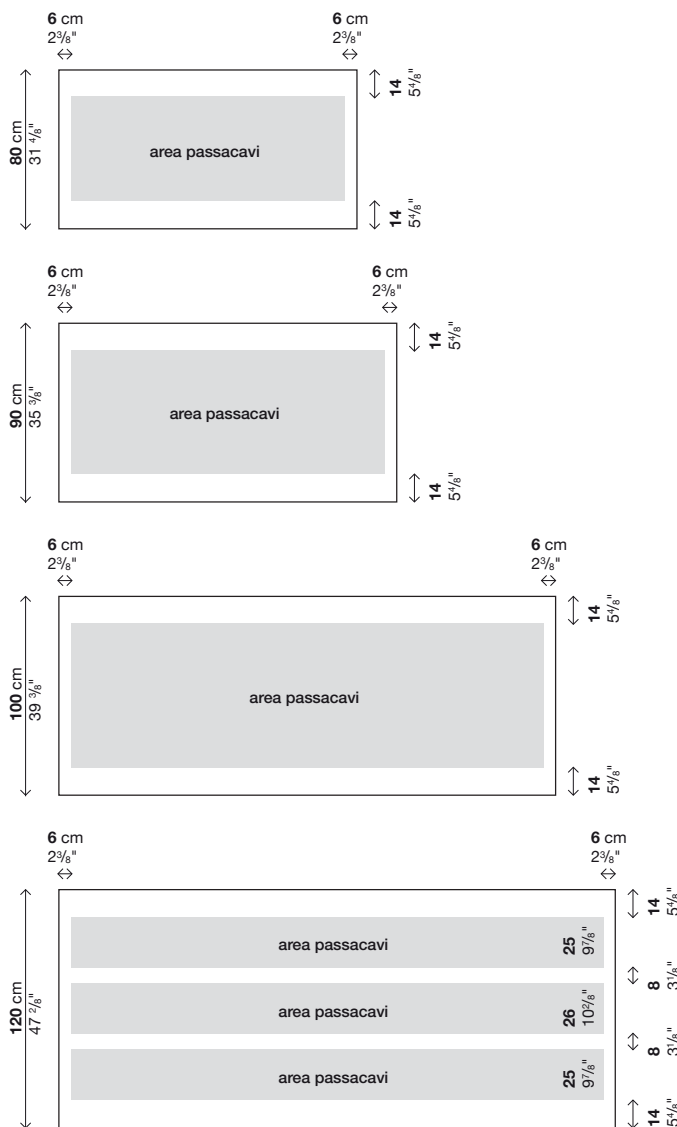
Codice	Finitura	Prezzi EURO	colli	m <sup>3</sup>	Kg
02PAS01	alluminio anodizzato				- - 0,5
	verniciato				

### Passacavi rettangolare (30 x 9 cm) con vaschetta sottopiano

Codice	Finitura	Prezzi EURO	colli	m <sup>3</sup>	Kg
02PAS02	alluminio anodizzato				- - 0,8
	verniciato				

### Foro passacavi Ø 6 cm

Codice	Finitura	Prezzi EURO	colli	m <sup>3</sup>	Kg
02FOR01	verniciato				



# Thin-K / Thin-K Longo

## Dimensions

**Prof. 80 cm**  
Depth 31 4/8"

80 cm 31 4/8"	→ Aluminium
123 cm 48 3/8"	→ Aluminium → Verre → Bois
123/163/203 cm 48 3/8/64 1/8/79"	→ Aluminium → Verre → Bois
150 cm 59"	→ Aluminium → Verre → Bois
150/190/230 cm 59/74 7/8/90 1/2"	→ Aluminium → Verre → Bois

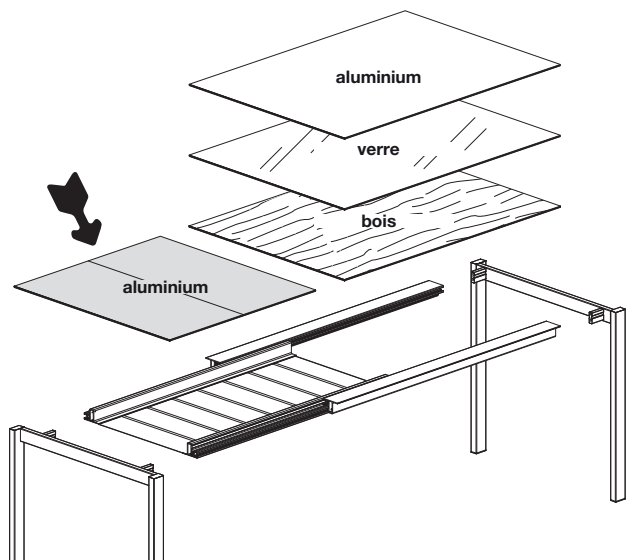
**Prof. 90 cm**  
Depth 35 3/8"

90 150 cm 59"	→ Aluminium → Verre
150/190/230 cm 59/74 7/8/90 1/2"	→ Aluminium → Verre
170 cm 66 7/8"	→ Aluminium → Verre → Bois
170/210/250 cm 66 7/8/82 3/4/98 3/8"	→ Aluminium → Verre → Bois

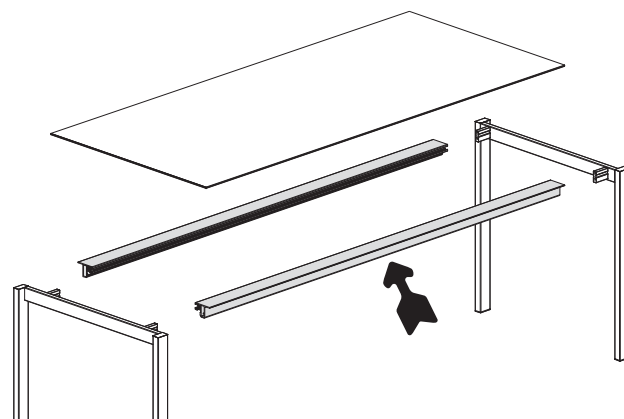
**Prof. 100 cm**  
Depth 39 3/8"

100 200 cm 78 3/4"	→ Aluminium → Bois
200/240/280 cm 78 3/4/94 1/2/110 2/8"	→ Aluminium → Bois
220 cm 86 5/8"	→ Aluminium → Bois
240 cm 94 4/8"	→ Aluminium → Bois
260 cm 102 3/8"	→ Aluminium → Bois
280 cm 110 2/8"	→ Aluminium → Bois
295 cm 116 1/8"	→ Aluminium → Bois

Longo



Sur les tables Thin-K version extensible, les rallonges sont toujours en aluminium laqué époxy (même sur les versions avec plateau en verre ou en bois).



Sur les tables Thin-K avec plateau en aluminium, en bois ou en verre, les traverses sous-plateau sont en aluminium anodisé.

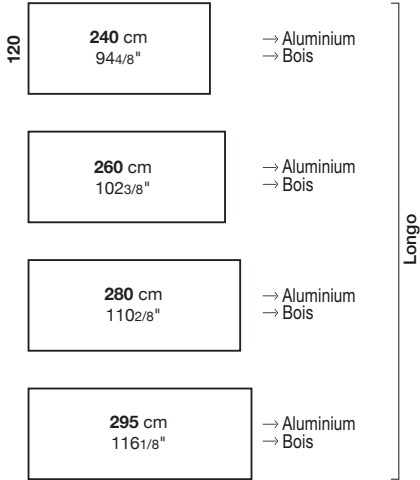
Sur les tables Thin-K LONGO avec plateau en aluminium, les traverses sous-plateau sont laquées en coloris assorti au plateau.

Sur les tables Thin-K LONGO avec plateau en bois "Chêne européen", les traverses sous-plateau sont en aluminium anodisé.  
Si le plateau est en "Chêne noir", les traverses sous-plateau sont laqué noir.

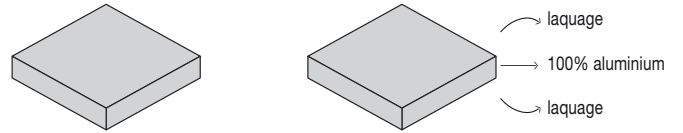
# Plateaux Ép. 6 mm

---

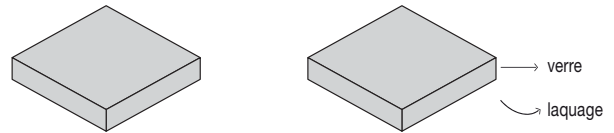
Prof. 120 cm  
Depth 47 2/8"



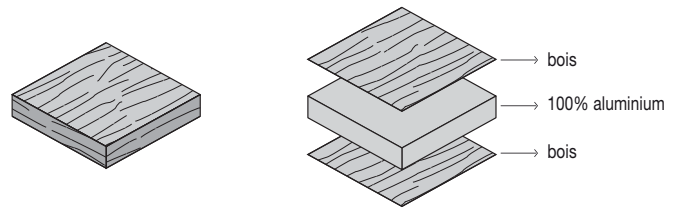
## Aluminium



## Verre



## Bois



# Thin-K aluminium

## Extensible/Fixe - Prof. 80/90/100 cm.

### Finition piètement:

Acier laqué en époxy polyester gris aluminium Ral 7042 (VP5)

Acier laqué en époxy polyester blanc Ral 9016 (VP1)

Acier laqué en époxy polyester gris sable Ral 9002 (VP2)

Acier laqué en époxy polyester gris anthracite Ral 7015 (VP3)

Acier laqué en époxy polyester noir Ral 9004 (VP4)

### Finition plateau/pieds détails extérieurs/rallonges:

Aluminium laqué en époxy polyester gris aluminium Ral 7042 (VP5)

Aluminium laqué en époxy polyester blanc Ral 9016 (VP1)

Aluminium laqué en époxy polyester gris sable Ral 9002 (VP2)

Aluminium laqué en époxy polyester gris anthracite Ral 7015 (VP3)

Aluminium laqué en époxy polyester noir Ral 9004 (VP4)

→ Traverses sous-plateau en aluminium anodisé.

→ Attention: les dimensions et les finitions marquées par un point d'exclamation (!) ont des délais de production plus longs (environ 6 semaines à partir de la date de la commande).

→ Emballages renforcés voir page 205.

### Extensible (►)

Code	Longueur (L)	Prof.	Pieds	Plateau	Prix en EURO	Coûts	m <sup>3</sup>	Kg
01THK01	123-163-203	80	laqué	laqué		1	0,27	54
01THK02	150-190-230	80	laqué	laqué		1	0,32	62
01THK10	150-190-230	90	laqué	laqué		1	0,36	65
01THK04	170-210-250	90	laqué	laqué		1	0,37	76
01THK05	200-240-280 (!)	100	laqué	laqué		1	0,5	91

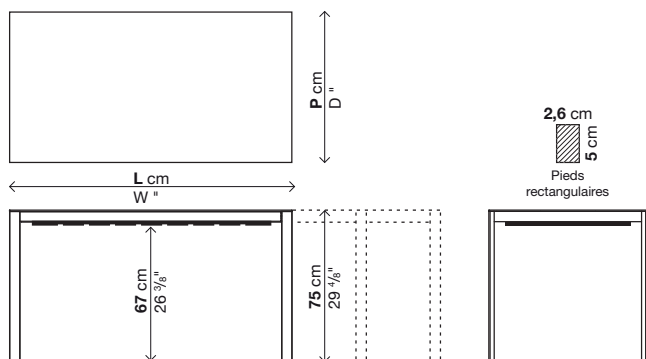
### Fixe (II)

Code	Longueur (L)	Prof.	Pieds	Plateau	Prix en EURO	Coûts	m <sup>3</sup>	Kg
01THK03F	80	80	laqué	laqué		1	0,18	29
01THK01F	123	80	laqué	laqué		1	0,27	39
01THK02F	150	80	laqué	laqué		1	0,32	44
01THK10F	150	90	laqué	laqué		1	0,36	47
01THK04F	170	90	laqué	laqué		1	0,37	53
01THK05F	200 (!)	100	laqué	laqué		1	0,5	66

### Optionals

Code	Prof		Prix en EURO	Coûts	m <sup>3</sup>	Kg
02RET01	80	câblage, matière plastique		1	0,07	1
02RET02	90	câblage, matière plastique		1	0,07	1
02RET03	100	câblage, matière plastique		1	0,07	1
02VER01		vertèbre, méthacrylate opaline		1	0,007	1,5
02CPU07	80	support CPU, méthacrylate opaline		1	0,14	5,5
02CPU08	90	support CPU, méthacrylate opaline		1	0,14	5,5
02CPU09	100	support CPU, méthacrylate opaline		1	0,14	5,5

Passe-câbles, voir page 9



# Thin-K Longo aluminium

## Fixe - Prof. 100/120 cm.

### Finition piètement:

Acier laqué en époxy polyester gris aluminium Ral 7042 (VP5)

Acier laqué en époxy polyester blanc Ral 9016 (VP1)

Acier laqué en époxy polyester gris sable Ral 9002 (VP2)

Acier laqué en époxy polyester gris anthracite Ral 7015 (VP3)

Acier laqué en époxy polyester noir Ral 9004 (VP4)

### Finition plateau/pieds détails extérieurs:

Aluminium laqué en époxy polyester gris aluminium Ral 7042 (VP5)

Aluminium laqué en époxy polyester blanc Ral 9016 (VP1)

Aluminium laqué en époxy polyester gris sable Ral 9002 (VP2)

Aluminium laqué en époxy polyester gris anthracite Ral 7015 (VP3)

Aluminium laqué en époxy polyester noir Ral 9004 (VP4)

→ Traverses sous-plateau laquées coloris assorti au plateau.

→ Attention: les dimensions et les finitions marquées par un point d'exclamation (!) ont des délais de production plus longs (environ 6 semaines à partir de la date de la commande).

→ Emballages renforcés voir page 205.

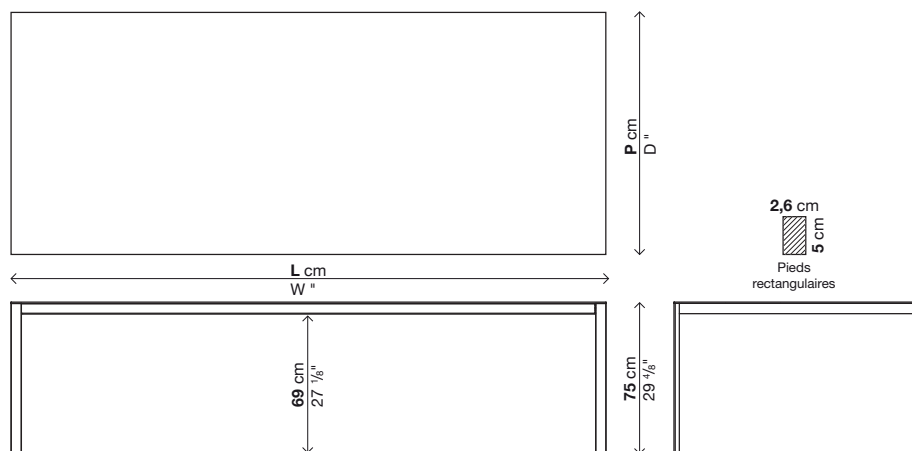
### Fixe (II)

Code	Longueur (L)	Prof.	Pieds	Plateau	Prix en EURO	Cois. m <sup>2</sup>	Kg
01THK08F	220 (!)	100	laqué	laqué		1,055	80
01THK09F	240 (!)	100	laqué	laqué		1,059	86
01THK30F	260 (!)	100	laqué	laqué		1,064	91
01THK31F	280 (!)	100	laqué	laqué		1,068	97
01THK07F	295 (!)	100	laqué	laqué		1,073	101
01THK32F	240 (!)	120	laqué	laqué		1,069	110
01THK33F	260 (!)	120	laqué	laqué		1,075	118
01THK34F	280 (!)	120	laqué	laqué		1,08	125
01THK35F	295 (!)	120	laqué	laqué		1,086	131

### Optionals

Code	Prof.		Prix en EURO	Cois. m <sup>2</sup>	Kg
02RET03	100	câblage, matière plastique		1,007	1
02RET08	120	câblage, matière plastique		1,007	1
02VER01		vertèbre, méthacrylate opaline		1,007	1,5
02CPU09	100	support CPU, méthacrylate opaline		1,014	5,5

Passe-câbles, voir page 9



# Thin-K bois

## Extensible/Fixe - Prof. 80/90/100 cm.

### Finition piétement:

Acier laqué en époxy polyester gris aluminium Ral 7042 (VP5)

Acier laqué en époxy polyester blanc Ral 9016 (VP1)

Acier laqué en époxy polyester gris sable Ral 9002 (VP2)

Acier laqué en époxy polyester gris anthracite Ral 7015 (VP3)

Acier laqué en époxy polyester noir Ral 9004 (VP4)

### Finition plateau/pieds détails extérieurs:

Chêne européen brossé

Chêne noir brossé

### Finition des rallonges:

Aluminium laqué en époxy polyester gris aluminium Ral 7042 (VP5)

Aluminium laqué en époxy polyester blanc Ral 9016 (VP1)

Aluminium laqué en époxy polyester gris sable Ral 9002 (VP2)

Aluminium laqué en époxy polyester gris anthracite Ral 7015 (VP3)

Aluminium laqué en époxy polyester noir Ral 9004 (VP4)

→ Traverses sous-plateau en aluminium anodisé.

→ Attention: les dimensions et les finitions marquées par un point d'exclamation (!) ont des délais de production plus longs (environ 6 semaines à partir de la date de la commande).

→ Emballages renforcés voir page 205.

### Extensible (►)

Code	Longueur (L)	Prof.	Pieds	Plateau	Prix en EURO	Coûts	m <sup>2</sup>	Kg
01THK40	123-163-203 (!)	80	laqué	chêne européen		1	0,27	54
				chêne noir				
01THK41	150-190-230 (!)	80	laqué	chêne européen		1	0,32	62
				chêne noir				
01THK42	170-210-250 (!)	90	laqué	chêne européen chêne noir		1	0,37	76
01THK43	200-240-280 (!)	100	laqué	chêne européen chêne noir		1	0,5	91

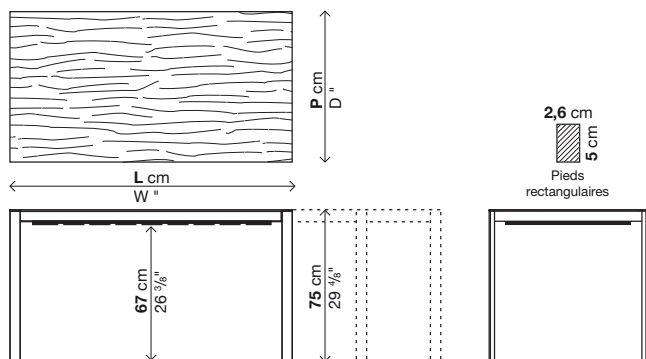
### Fixe (II)

Code	Longueur (L)	Prof.	Pieds	Plateau	Prix en EURO	Coûts	m <sup>2</sup>	Kg
01THK40F	123 (!)	80	laqué	chêne européen		1	0,27	39
				chêne noir				
01THK41F	150 (!)	80	laqué	chêne européen		1	0,32	44
				chêne noir				
01THK42F	170 (!)	90	laqué	chêne européen		1	0,37	53
				chêne noir				
01THK43F	200 (!)	100	laqué	chêne européen		1	0,5	66
				chêne noir				

### Optionals

Code	Prof		Prix en EURO	Coûts	m <sup>2</sup>	Kg
02RET01	80	câblage, matière plastique		1	0,07	1
02RET02	90	câblage, matière plastique		1	0,07	1
02RET03	100	câblage, matière plastique		1	0,07	1
02VER01		vertèbre, méthacrylate opaline		1	0,007	1,5
02CPU07	80	support CPU, méthacrylate opaline		1	0,14	5,5
02CPU08	90	support CPU, méthacrylate opaline		1	0,14	5,5
02CPU09	100	support CPU, méthacrylate opaline		1	0,14	5,5

Passé-câbles, voir page 9



# Thin-K Longo bois

## Fixe - Prof. 100/120 cm.

### Finition piètement:

Acier laqué en époxy polyester gris aluminium Ral 7042 (VP5)  
 Acier laqué en époxy polyester blanc Ral 9016 (VP1)  
 Acier laqué en époxy polyester gris sable Ral 9002 (VP2)  
 Acier laqué en époxy polyester gris anthracite Ral 7015 (VP3)  
 Acier laqué en époxy polyester noir Ral 9004 (VP4)

### Finition plateau/pieds détails extérieurs:

Chêne européen brossé  
 Chêne noir brossé

→ Sur les tables Thin-K LONGO avec plateau en bois "Chêne européen", les traverses sous-plateau sont en aluminium anodisé.  
 Si le plateau est en "Chêne noir", les traverses sous-plateau sont laqué noir.

→ Attention: les dimensions et les finitions marquées par un point d'exclamation (!) ont des délais de production plus longs (environ 6 semaines à partir de la date de la commande).

→ Emballages renforcés voir page 205.

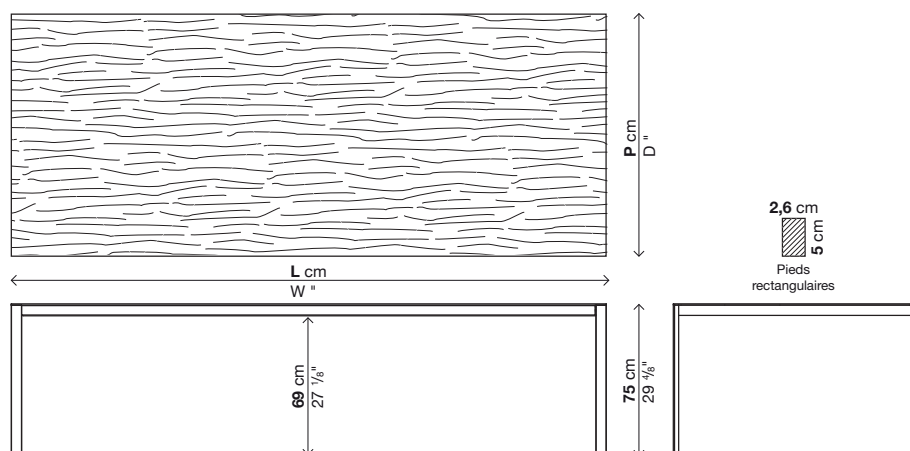
### Fixe (!)

Code	Longueur (L)	Prof.	Pieds	Plateau	Prix en EURO	Coûts	m <sup>2</sup>	Kg
01THK44F	220 (!)	100	laqué	chêne européen		1	0,55	80
				chêne noir				
01THK45F	240 (!)	100	laqué	chêne européen		1	0,59	86
				chêne noir				
01THK46F	260 (!)	100	laqué	chêne européen		1	0,64	91
				chêne noir				
01THK47F	280 (!)	100	laqué	chêne européen		1	0,68	97
				chêne noir				
01THK48F	295 (!)	100	laqué	chêne européen		1	0,73	101
				chêne noir				
01THK49F	240 (!)	120	laqué	chêne européen		1	0,69	110
				chêne noir				
01THK50F	260 (!)	120	laqué	chêne européen		1	0,75	118
				chêne noir				
01THK51F	280 (!)	120	laqué	chêne européen		1	0,8	125
				chêne noir				
01THK52F	295 (!)	120	laqué	chêne européen		1	0,86	131
				chêne noir				

### Optionals

Code	Prof		Prix en EURO	Coûts	m <sup>2</sup>	Kg
02RET03	100	câblage, matière plastique		1	0,07	1
02RET08	120	câblage, matière plastique		1	0,07	1
02VER01		vertèbre, méthacrylate opaline		1	0,007	1,5
02CPU09	100	support CPU, méthacrylate opaline		1	0,14	5,5

Passe-câbles, voir page 9



# Thin-K verre

## Extensible/Fixe - Prof. 80/90 cm.

### Finition piètement:

Acier laqué en époxy polyester gris aluminium Ral 7042 (VP5)

Acier laqué en époxy polyester blanc Ral 9016 (VP1)

Acier laqué en époxy polyester gris sable Ral 9002 (VP2)

Acier laqué en époxy polyester gris anthracite Ral 7015 (VP3)

Acier laqué en époxy polyester noir Ral 9004 (VP4)

### Finition plateau/pieds détails extérieurs:

Verre brillant coloris standard: extra white, gris anthracite, noir, titane

Verre brillant coloris palette RAL/NCS sur demande

Verre mat coloris: extra white, gris anthracite, noir, titane

### Finition des rallonges:

Aluminium laqué en époxy polyester gris aluminium Ral 7042 (VP5)

Aluminium laqué en époxy polyester blanc Ral 9016 (VP1)

Aluminium laqué en époxy polyester gris sable Ral 9002 (VP2)

Aluminium laqué en époxy polyester gris anthracite Ral 7015 (VP3)

Aluminium laqué en époxy polyester noir Ral 9004 (VP4)

→ Traverses sous-plateau en aluminium anodisé.

→ Attention: les dimensions et les finitions marquées par un point d'exclamation (!) ont des délais de production plus longs (environ 6 semaines à partir de la date de la commande).

→ Attention: les variations de tonalité par rapport aux échantillons choisis sur les nuanciers RAL/NCS sont inévitables puisqu'elles sont dues à la réfraction de la couleur à travers l'épaisseur du verre.  
Pour les tonalités de blanc, on n'effectue pas de coloris RAL/NCS sur demande.

→ Emballages renforcés voir page 205.

### Extensible (►)

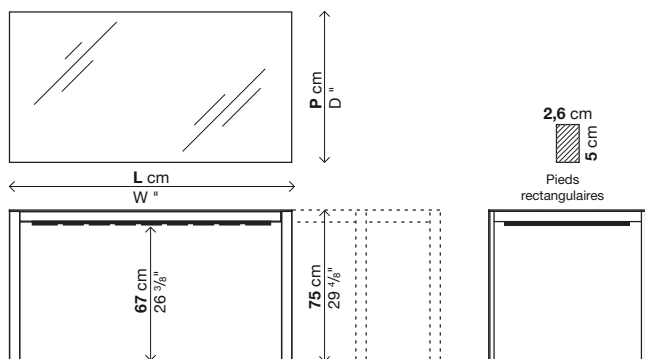
Code	Longueur (L)	Prof.	Pieds	Plateau	Prix en EURO	Coûts	m <sup>2</sup>	Kg
01THK11	123-163-203	80	laqué	brillant standard	1	0,27	54	
				brillant RAL/NCS (!)				
				verre mat				
01THK12	150-190-230	80	laqué	brillant standard	1	0,32	62	
				brillant RAL/NCS (!)				
				verre mat				
01THK15	150-190-231	90	laqué	brillant standard	1	0,36	66	
				brillant RAL/NCS (!)				
				verre mat				
01THK14	170-210-250	90	laqué	brillant standard	1	0,37	76	
				brillant RAL/NCS (!)				
				verre mat				

### Fixe (II)

Code	Longueur (L)	Prof.	Pieds	Plateau	Prix en EURO	Coûts	m <sup>2</sup>	Kg
01THK11F	123	80	laqué	brillant standard	1	0,27	39	
				brillant RAL/NCS (!)				
				verre mat				
01THK12F	150	80	laqué	brillant standard	1	0,32	44	
				brillant RAL/NCS (!)				
				verre mat				
01THK15F	150	90	laqué	brillant standard	1	0,36	47	
				brillant RAL/NCS (!)				
				verre mat				
01THK14F	170	90	laqué	brillant standard	1	0,37	53	
				brillant RAL/NCS (!)				
				verre mat				

### Optionals

Code	Prof.		Prix en EURO	Coûts	m <sup>2</sup>	Kg
02RET01	80	câblage, matière plastique	1	0,07	1	
02RET02	90	câblage, matière plastique	1	0,07	1	
02VER01		vertèbre, méthacrylate opaline	1	0,007	1,5	
02CPU07	80	support CPU, méthacrylate opaline	1	0,14	5,5	
02CPU08	90	support CPU, méthacrylate opaline	1	0,14	5,5	



# Thin-K / Thin-K Longo

## Passes-câbles

### Finitions:

Aluminium anodisé  
Aluminium laqué couleur blanc  
Aluminium laqué couleur noir

### Passes-câbles rectangulaire (30 x 9 cm)

Code	Finitions	Prix en EURO	Coûts	m <sup>2</sup>	Kg
02PAS01	aluminium anodisé	-	-	-	0,5
	laqué	-	-	-	-

### Passes-câbles rectangulaire (30 x 9 cm) avec bac sous-plateau

Code	Finitions	Prix en EURO	Coûts	m <sup>2</sup>	Kg
02PAS02	aluminium anodisé	-	-	-	0,8
	laqué	-	-	-	-

### Ouverture passe-câbles Ø 6 cm

Code	Finitions	Prix en EURO	Coûts	m <sup>2</sup>	Kg
02FOR01	laqué	-	-	-	-

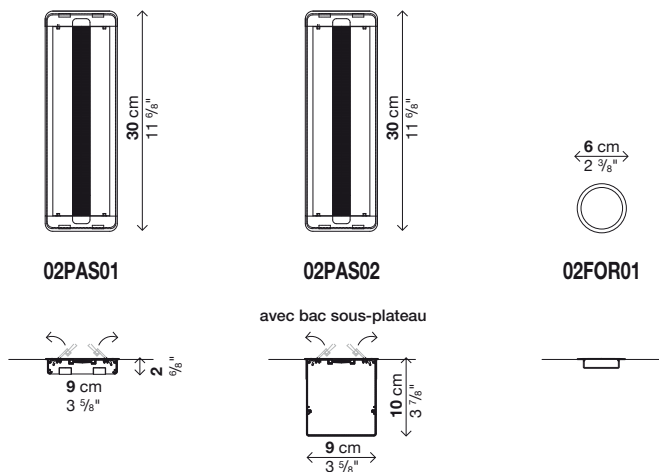
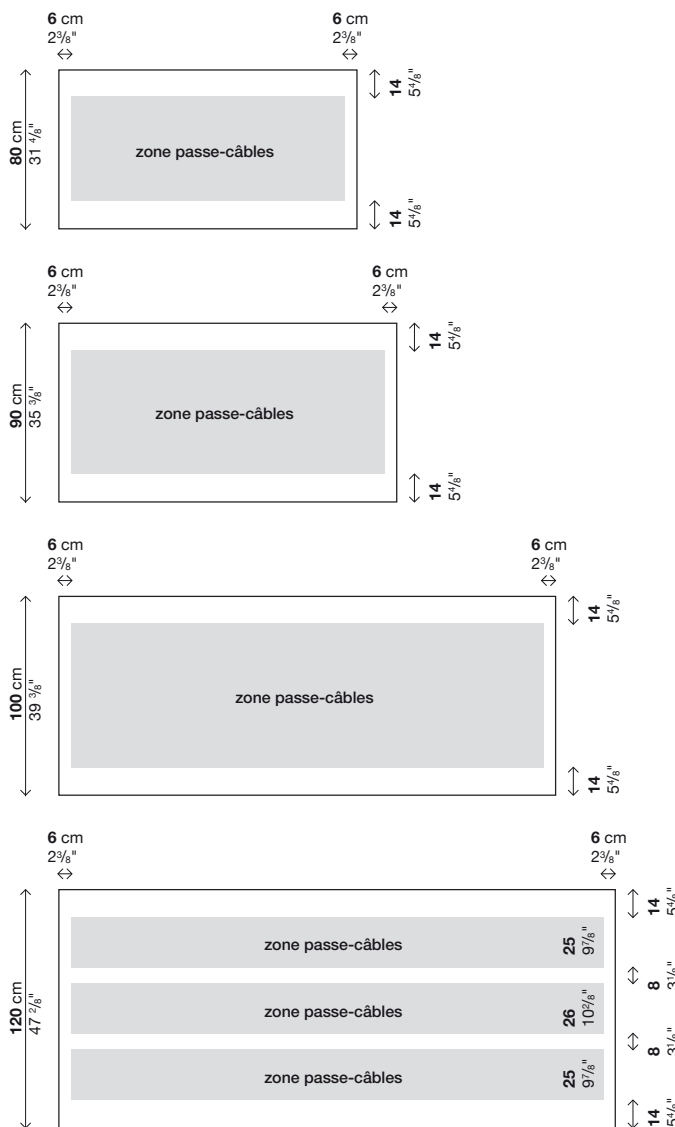
→ Seules les tables en version fixe et ayant des plateaux en aluminium ou en bois peuvent être équipées de passes-câbles (aucun passe-câbles ne peut être installé sur les plateaux en verre).

→ La réalisation de l'ouverture passe-câbles sur le plateau est comprise dans le prix.

→ Fournir un dessin technique détaillé indiquant la position souhaitée du passe-câbles qui devra impérativement se trouver à l'intérieur des zones illustrées ci-dessous.

→ Possibilité de prévoir plusieurs passes-câbles par table.

→ Le passe-câbles peut être installé soit parallèle à la longueur du plateau, soit perpendiculaire (excepté sur les tables prof. 120 cm où la position est impérativement en sens parallèle).



# Thin-K / Thin-K Longo

## Größenübersicht

**Breite 80 cm**  
Depth 31 4/8"

80 cm 31 4/8"	→ Aluminium
123 cm 48 3/8"	→ Aluminium → Glas → Holz
123/163/203 cm 48 3/8/64 1/8/79"	→ Aluminium → Glas → Holz
150 cm 59"	→ Aluminium → Glas → Holz
150/190/230 cm 59/74 7/8/90 1/2"	→ Aluminium → Glas → Holz

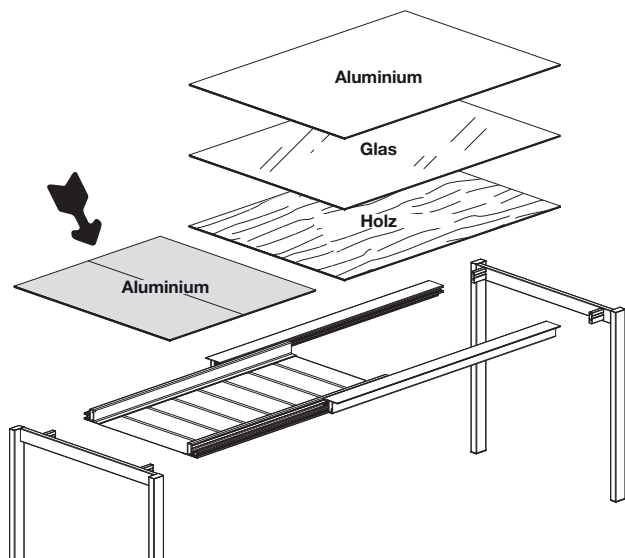
**Breite 90 cm**  
Depth 35 3/8"

90 150 cm 59"	→ Aluminium → Glas
150/190/230 cm 59/74 7/8/90 1/2"	→ Aluminium → Glas
170 cm 66 7/8"	→ Aluminium → Glas → Holz
170/210/250 cm 66 7/8/82 3/4/98 3/8"	→ Aluminium → Glas → Holz

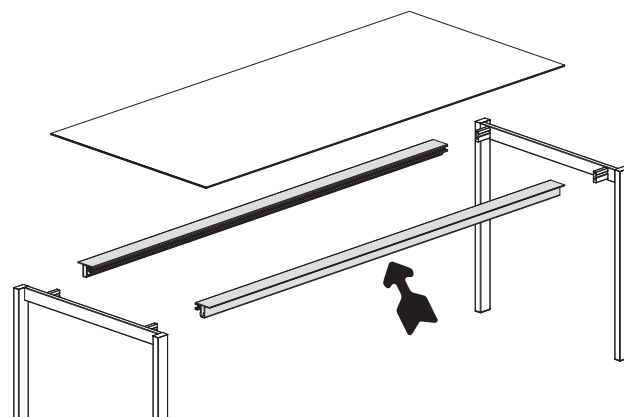
**Breite 100 cm**  
Depth 39 3/8"

100 200 cm 78 3/4"	→ Aluminium → Holz
200/240/280 cm 78 3/4/94 1/2/110 2/8"	→ Aluminium → Holz
220 cm 86 5/8"	→ Aluminium → Holz
240 cm 94 4/8"	→ Aluminium → Holz
260 cm 102 3/8"	→ Aluminium → Holz
280 cm 110 2/8"	→ Aluminium → Holz
295 cm 116 1/8"	→ Aluminium → Holz

Longo



Bei den Tischen Thin-K in verlängerbarer Version bestehen die Verlängerungen immer aus lackiertem Aluminium (auch bei der Version mit Platte aus Glas oder Holz).



Bei den Tischen Thin-K mit Platte aus Aluminium, Holz oder Glas bestehen die unter der Platte liegenden Längsstreben aus eloxiertem Aluminium.

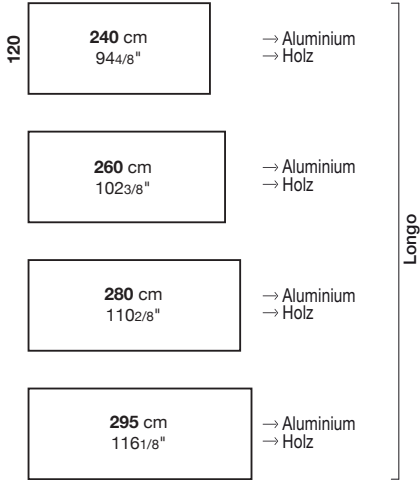
Bei den Tischen Thin-K LONGO mit Platte aus Aluminium sind die unter der Platte liegenden Längsstreben in Farbe der Platte lackiert.

Bei den Tischen Thin-K LONGO mit Holzplatte aus "europäischer Eiche" bestehen die unter der Platte liegenden Längsstreben aus eloxiertem Aluminium. Im Falle einer Platte aus "schwarzer Eiche" sind die unter der Platte liegenden Längsstreben schwarz lackiert.

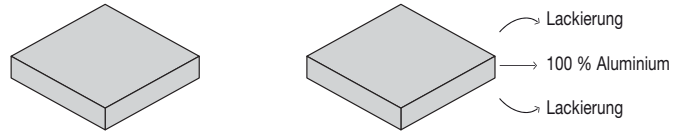
# Platten St. 6 mm

---

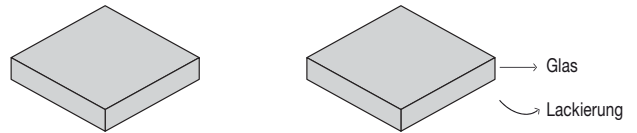
Breite 120 cm  
Depth 47 2/8"



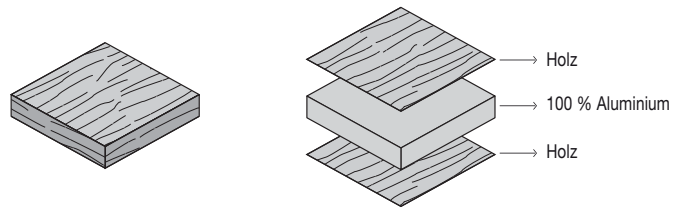
## Aluminium



## Glas



## Holz



# Thin-K Aluminium

## Erweiterbar/Fixmaße - Breite 80/90/100 cm.

### Ausführung der Beine:

- Stahl mit Polyester-Pulverlackierung im Farbton aluminiumgrau Ral 7042 (VP5)
- Stahl mit Polyester-Pulverlackierung im Farbton weiß Ral 9016 (VP1)
- Stahl mit Polyester-Pulverlackierung im Farbton sandgrau Ral 9002 (VP2)
- Stahl mit Polyester-Pulverlackierung im Farbton grau anthrazit Ral 7015 (VP3)
- Stahl mit Polyester-Pulverlackierung im Farbton schwarz Ral 9004 (VP4)

### Ausführung Platte/Beine äußere Details/Verlängerungen:

- Aluminium mit Polyester-Pulverlackierung im Farbton aluminiumgrau Ral 7042 (VP5)
- Aluminium mit Polyester-Pulverlackierung im Farbton weiß Ral 9016 (VP1)
- Aluminium mit Polyester-Pulverlackierung im Farbton sandgrau Ral 9002 (VP2)
- Aluminium mit Polyester-Pulverlackierung im Farbton grau anthrazit Ral 7015 (VP3)
- Aluminium mit Polyester-Pulverlackierung im Farbton schwarz Ral 9004 (VP4)

→ Längsstreben unter der Tischplatte aus eloxiertem Aluminium.

→ Achtung: Die mit (I) gekennzeichneten Maße oder Ausführungen haben eine längere Produktionszeit: zirka 6 Wochen ab Auftragsdatum.

→ Verstärkte Verpackungsmaterialien siehe Seite 205.

### Erweiterbar (►)

Art.-Nr.	Länge (L)	Breite	Beine	Platte	Preis in EURO	Koff.	V. m <sup>3</sup>	Kg
01THK01	123-163-203	80	Lackiert	Lackiert		1	0,27	54
01THK02	150-190-230	80	Lackiert	Lackiert		1	0,32	62
01THK10	150-190-230	90	Lackiert	Lackiert		1	0,36	65
01THK04	170-210-250	90	Lackiert	Lackiert		1	0,37	76
01THK05	200-240-280 (I)	100	Lackiert	Lackiert		1	0,5	91

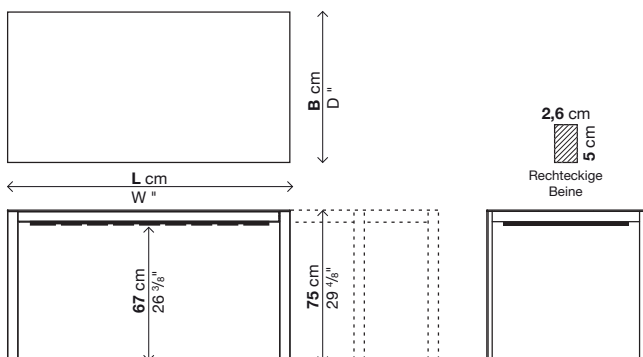
### Fixmaße (II)

Art.-Nr.	Länge (L)	Breite	Beine	Platte	Preis in EURO	Koff.	V. m <sup>3</sup>	Kg
01THK03F	80	80	Lackiert	Lackiert		1	0,18	29
01THK01F	123	80	Lackiert	Lackiert		1	0,27	39
01THK02F	150	80	Lackiert	Lackiert		1	0,32	44
01THK10F	150	90	Lackiert	Lackiert		1	0,36	47
01THK04F	170	90	Lackiert	Lackiert		1	0,37	53
01THK05F	200 (I)	100	Lackiert	Lackiert		1	0,5	66

### Optionals

Art.-Nr.	Breite		Preis in EURO	Koff.	V. m <sup>3</sup>	Kg
02RET01	80	Kabelnetz, Kunststoffmaterial		1	0,07	1
02RET02	90	Kabelnetz, Kunststoffmaterial		1	0,07	1
02RET03	100	Kabelnetz, Kunststoffmaterial		1	0,07	1
02VER01		Kabelschlange, mattes Methacrylat		1	0,007	1,5
02CPU07	80	CPU-Träger, mattes Methacrylat		1	0,14	5,5
02CPU08	90	CPU-Träger, mattes Methacrylat		1	0,14	5,5
02CPU09	100	CPU-Träger, mattes Methacrylat		1	0,14	5,5

Kabeldurchlass siehe Seite 9



# Thin-K Longo Aluminium

## Fixmaße - Breite 100/120 cm.

### Ausführung der Beine:

Stahl mit Polyester-Pulverlackierung im Farbton aluminiumgrau Ral 7042 (VP5)  
 Stahl mit Polyester-Pulverlackierung im Farbton weiß Ral 9016 (VP1)  
 Stahl mit Polyester-Pulverlackierung im Farbton sandgrau Ral 9002 (VP2)  
 Stahl mit Polyester-Pulverlackierung im Farbton grau anthrazit Ral 7015 (VP3)  
 Stahl mit Polyester-Pulverlackierung im Farbton schwarz Ral 9004 (VP4)

### Ausführung Platte/Beine äußere Details:

Aluminium mit Polyester-Pulverlackierung im Farbton aluminiumgrau Ral 7042 (VP5)  
 Aluminium mit Polyester-Pulverlackierung im Farbton weiß Ral 9016 (VP1)  
 Aluminium mit Polyester-Pulverlackierung im Farbton sandgrau Ral 9002 (VP2)  
 Aluminium mit Polyester-Pulverlackierung im Farbton grau anthrazit Ral 7015 (VP3)  
 Aluminium mit Polyester-Pulverlackierung im Farbton schwarz Ral 9004 (VP4)

→ Längsstreben unter der Tischplatte in Farbe der Tischplatte lackiert.

→ Achtung: Die mit (!) gekennzeichneten Maße oder Ausführungen haben eine längere Produktionszeit: zirka 6 Wochen ab Auftragsdatum.

→ Verstärkte Verpackungsmaterialien siehe Seite 205.

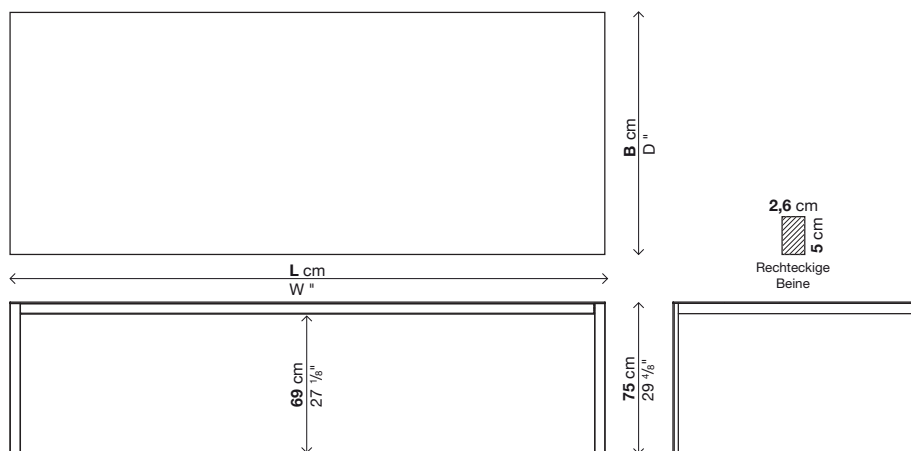
### Fixmaße (II)

Art.-Nr.	Länge (L)	Breite	Beine	Platte	Preis in EURO	Koll	V. m <sup>3</sup>	Kg
01THK08F	220 (!)	100	Lackiert	Lackiert		1	0,55	80
01THK09F	240 (!)	100	Lackiert	Lackiert		1	0,59	86
01THK30F	260 (!)	100	Lackiert	Lackiert		1	0,64	91
01THK31F	280 (!)	100	Lackiert	Lackiert		1	0,68	97
01THK07F	295 (!)	100	Lackiert	Lackiert		1	0,73	101
01THK32F	240 (!)	120	Lackiert	Lackiert		1	0,69	110
01THK33F	260 (!)	120	Lackiert	Lackiert		1	0,75	118
01THK34F	280 (!)	120	Lackiert	Lackiert		1	0,8	125
01THK35F	295 (!)	120	Lackiert	Lackiert		1	0,86	131

### Optionals

Art.-Nr.	Breite	Preis in EURO	Koll	V. m <sup>3</sup>	Kg	
02RET03	100			1	0,07	1
02RET08	120			1	0,07	1
02VER01				1	0,007	1,5
02CPU09	100			1	0,14	5,5

Kabeldurchlass siehe Seite 9



# Thin-K Holz

## Erweiterbar/Fixmaße - Breite 80/90/100 cm.

### Ausführung der Beine:

Stahl mit Polyester-Pulverlackierung im Farbton aluminiumgrau Ral 7042 (VP5)  
 Stahl mit Polyester-Pulverlackierung im Farbton weiß Ral 9016 (VP1)  
 Stahl mit Polyester-Pulverlackierung im Farbton sandgrau Ral 9002 (VP2)  
 Stahl mit Polyester-Pulverlackierung im Farbton grau anthrazit Ral 7015 (VP3)  
 Stahl mit Polyester-Pulverlackierung im Farbton schwarz Ral 9004 (VP4)

### Ausführung Platte/Beine äußere Details:

Europäische Eiche gebürstet  
 Schwarze Eiche gebürstet

### Ausführung der Verlängerungen:

Aluminium mit Polyester-Pulverlackierung im Farbton aluminiumgrau Ral 7042 (VP5)  
 Aluminium mit Polyester-Pulverlackierung im Farbton weiß Ral 9016 (VP1)  
 Aluminium mit Polyester-Pulverlackierung im Farbton sandgrau Ral 9002 (VP2)  
 Aluminium mit Polyester-Pulverlackierung im Farbton grau anthrazit Ral 7015 (VP3)  
 Aluminium mit Polyester-Pulverlackierung im Farbton schwarz Ral 9004 (VP4)

→ Längsstreben unter der Tischplatte aus eloxiertem Aluminium.

→ Achtung: Die mit (!) gekennzeichneten Maße oder Ausführungen haben eine längere Produktionszeit: zirka 6 Wochen ab Auftragsdatum.

→ Verstärkte Verpackungsmaterialien siehe Seite 205.

### Erweiterbar (▶)

Art.-Nr.	Länge (L)	Breite	Beine	Platte	Preis in EURO	Koll. V. m <sup>3</sup>	Kg
01THK40	123-163-203 (!)	80	Lackiert	europäische Eiche	1	0,27	54
				schwarze Eiche			
01THK41	150-190-230 (!)	80	Lackiert	europäische Eiche	1	0,32	62
				schwarze Eiche			
01THK42	170-210-250 (!)	90	Lackiert	europäische Eiche schwarze Eiche	1	0,37	76
01THK43	200-240-280 (!)	100	Lackiert	europäische Eiche schwarze Eiche	1	0,5	91

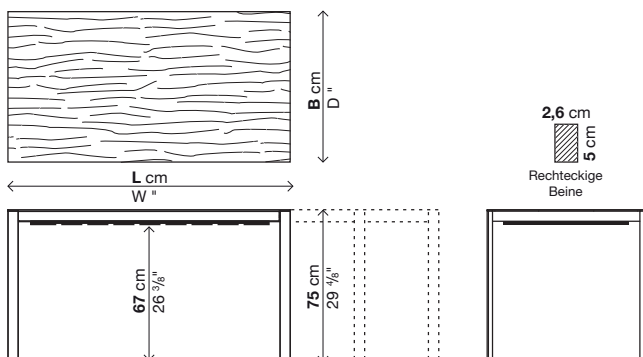
### Fixmaße (II)

Art.-Nr.	Länge (L)	Breite	Beine	Platte	Preis in EURO	Koll. V. m <sup>3</sup>	Kg
01THK40F	123 (!)	80	Lackiert	europäische Eiche	1	0,27	39
				schwarze Eiche			
01THK41F	150 (!)	80	Lackiert	europäische Eiche	1	0,32	44
				schwarze Eiche			
01THK42F	170 (!)	90	Lackiert	europäische Eiche	1	0,37	53
				schwarze Eiche			
01THK43F	200 (!)	100	Lackiert	europäische Eiche	1	0,5	66
				schwarze Eiche			

### Optionals

Art.-Nr.	Breite	Preis in EURO	Koll. V. m <sup>3</sup>	Kg	
02RET01	80	Kabelnetz, Kunststoffmaterial	1	0,07	1
02RET02	90	Kabelnetz, Kunststoffmaterial	1	0,07	1
02RET03	100	Kabelnetz, Kunststoffmaterial	1	0,07	1
02VER01		Kabelschlange, mattes Methacrylat	1	0,007	1,5
02CPU07	80	CPU-Träger, mattes Methacrylat	1	0,14	5,5
02CPU08	90	CPU-Träger, mattes Methacrylat	1	0,14	5,5
02CPU09	100	CPU-Träger, mattes Methacrylat	1	0,14	5,5

Kabeldurchlass siehe Seite 9



# Thin-K Longo Holz

## Fixmaße - Breite 100/120 cm.

### Ausführung der Beine:

Stahl mit Polyester-Pulverlackierung im Farbton aluminiumgrau Ral 7042 (VP5)  
 Stahl mit Polyester-Pulverlackierung im Farbton weiß Ral 9016 (VP1)  
 Stahl mit Polyester-Pulverlackierung im Farbton sandgrau Ral 9002 (VP2)  
 Stahl mit Polyester-Pulverlackierung im Farbton grau anthrazit Ral 7015 (VP3)  
 Stahl mit Polyester-Pulverlackierung im Farbton schwarz Ral 9004 (VP4)

### Ausführung Platte/Beine äußere Details:

Europäische Eiche gebürstet

Schwarze Eiche gebürstet

→ Bei den Tischen Thin-K LONGO mit Holzplatte aus "europäischer Eiche" bestehen die unter der Platte liegenden Längsstreben aus eloxiertem Aluminium.

Im Falle einer Platte aus "schwarzer Eiche" sind die unter der Platte liegenden Längsstreben schwarz lackiert.

→ Achtung: Die mit (!) gekennzeichneten Maße oder Ausführungen haben eine längere Produktionszeit: zirka 6 Wochen ab Auftragsdatum.

→ Verstärkte Verpackungsmaterialien siehe Seite 205.

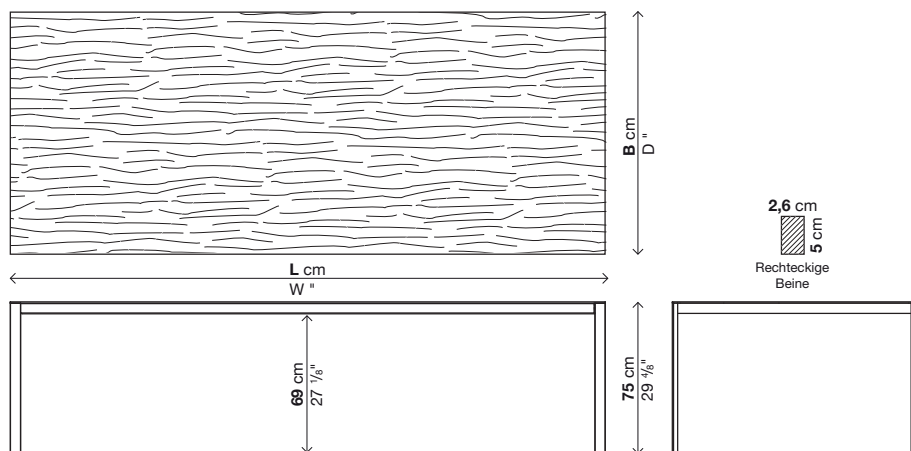
### Fixmaße (II)

Art.-Nr.	Länge (L)	Breite	Beine	Platte	Preis in EURO	Koll. V.m <sup>3</sup>	Kg
01THK44F	220 (!)	100	Lackiert	europäische Eiche	1	0,55	80
				schwarze Eiche			
01THK45F	240 (!)	100	Lackiert	europäische Eiche	1	0,59	86
				schwarze Eiche			
01THK46F	260 (!)	100	Lackiert	europäische Eiche	1	0,64	91
				schwarze Eiche			
01THK47F	280 (!)	100	Lackiert	europäische Eiche	1	0,68	97
				schwarze Eiche			
01THK48F	295 (!)	100	Lackiert	europäische Eiche	1	0,73	101
				schwarze Eiche			
01THK49F	240 (!)	120	Lackiert	europäische Eiche	1	0,69	110
				schwarze Eiche			
01THK50F	260 (!)	120	Lackiert	europäische Eiche	1	0,75	118
				schwarze Eiche			
01THK51F	280 (!)	120	Lackiert	europäische Eiche	1	0,8	125
				schwarze Eiche			
01THK52F	295 (!)	120	Lackiert	europäische Eiche	1	0,86	131
				schwarze Eiche			

### Optionals

Art.-Nr.	Breite	Preis in EURO	Koll. V.m <sup>3</sup>	Kg
02RET03	100	Kabelnetz, Kunststoffmaterial	1	0,07
02RET08	120	Kabelnetz, Kunststoffmaterial	1	0,07
02VER01		Kabelschlange, mattes Methacrylat	1	0,007
02CPU09	100	CPU-Träger, mattes Methacrylat	1	0,14

Kabeldurchlass siehe Seite 9



# Thin-K Glas

## Erweiterbar/Fixmaße - Breite 80/90 cm.

### Ausführung der Beine:

Stahl mit Polyester-Pulverlackierung im Farbton aluminiumgrau Ral 7042 (VP5)  
 Stahl mit Polyester-Pulverlackierung im Farbton weiß Ral 9016 (VP1)  
 Stahl mit Polyester-Pulverlackierung im Farbton sandgrau Ral 9002 (VP2)  
 Stahl mit Polyester-Pulverlackierung im Farbton grau anthrazit Ral 7015 (VP3)  
 Stahl mit Polyester-Pulverlackierung im Farbton schwarz Ral 9004 (VP4)

### Ausführung Platte/Beine äußere Details:

Glas Hochglanz in Standardfarben: Extraweiß, Anthrazit, Schwarz, Titan  
 Glas Hochglanz in Farben der Skala RAL/NCS auf Anfrage  
 Mattes Glas in den Farben: Extraweiß, Anthrazit, Schwarz, Titan

### Ausführung der Verlängerungen:

Aluminium mit Polyester-Pulverlackierung im Farbton aluminiumgrau Ral 7042 (VP5)  
 Aluminium mit Polyester-Pulverlackierung im Farbton weiß Ral 9016 (VP1)  
 Aluminium mit Polyester-Pulverlackierung im Farbton sandgrau Ral 9002 (VP2)  
 Aluminium mit Polyester-Pulverlackierung im Farbton grau anthrazit Ral 7015 (VP3)  
 Aluminium mit Polyester-Pulverlackierung im Farbton schwarz Ral 9004 (VP4)

→ Längsstreben unter der Tischplatte aus eloxiertem Aluminium.

→ Achtung: Die mit (!) gekennzeichneten Maße oder Ausführungen haben eine längere Produktionszeit: zirka 6 Wochen ab Auftragsdatum.

→ Achtung: Farbabweichungen bei den gewählten Farben der Musterkarte RAL/NCS sind unausweichlich und beruhen auf der Farbbrechung durch die Stärke des Glases.  
 In den Farbtönen Weiß sind keine RAL/NCS Farben auf Anfrage möglich.

→ Verstärkte Verpackungsmaterialien siehe Seite 205.

### Erweiterbar (►)

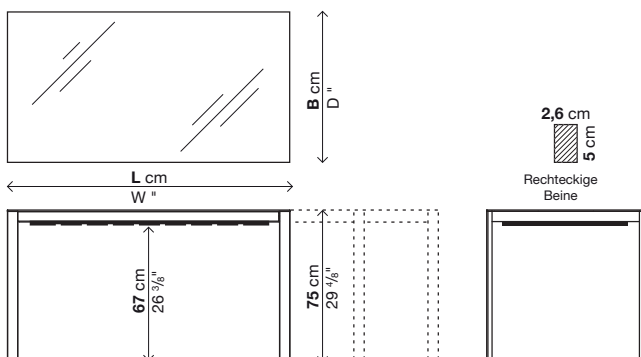
Art.-Nr.	Länge (L)	Breite	Beine	Platte	Preis in EURO	Koll.	V.m <sup>3</sup>	Kg
01THK11	123-163-203	80	Lackiert	Standard Hochgl.	1	0,27	54	
				RAL/NCS Hochgl. (!)				
				Glas matt				
01THK12	150-190-230	80	Lackiert	Standard Hochgl.	1	0,32	62	
				RAL/NCS Hochgl. (!)				
				Glas matt				
01THK15	150-190-231	90	Lackiert	Standard Hochgl.	1	0,36	66	
				RAL/NCS Hochgl. (!)				
				Glas matt				
01THK14	170-210-250	90	Lackiert	Standard Hochgl.	1	0,37	76	
				RAL/NCS Hochgl. (!)				
				Glas matt				

### Fixmaße (II)

Art.-Nr.	Länge (L)	Breite	Beine	Platte	Preis in EURO	Koll.	V.m <sup>3</sup>	Kg
01THK11F	123	80	Lackiert	Standard Hochgl.	1	0,27	39	
				RAL/NCS Hochgl. (!)				
				Glas matt				
01THK12F	150	80	Lackiert	Standard Hochgl.	1	0,32	44	
				RAL/NCS Hochgl. (!)				
				Glas matt				
01THK15F	150	90	Lackiert	Standard Hochgl.	1	0,36	47	
				RAL/NCS Hochgl. (!)				
				Glas matt				
01THK14F	170	90	Lackiert	Standard Hochgl.	1	0,37	53	
				RAL/NCS Hochgl. (!)				
				Glas matt				

### Optionals

Art.-Nr.	Breite	Preis in EURO	Koll.	V.m <sup>3</sup>	Kg
02RET01	80	Kabelnetz, Kunststoffmaterial	1	0,07	1
02RET02	90	Kabelnetz, Kunststoffmaterial	1	0,07	1
02VER01		Kabelschlange, mattes Methacrylat	1	0,007	1,5
02CPU07	80	CPU-Träger, mattes Methacrylat	1	0,14	5,5
02CPU08	90	CPU-Träger, mattes Methacrylat	1	0,14	5,5



# Thin-K / Thin-K Longo Kabeldurchlass

## Ausführung:

Eloxiertes Aluminium  
Aluminium lackiert im Farbton weiß  
Aluminium lackiert im Farbton schwarz

- Nur die Tische in fix montierter Version und mit Platten aus Aluminium oder Holz können mit Kabeldurchlässen ausgestattet werden (bei Glasplatten ist kein Kabeldurchlass vorgesehen).
- Der Preis beinhaltet den Ausschnitt auf der Platte.
- Übermitteln Sie bitte eine technische Zeichnung mit der gewünschten Lage des Kabeldurchlasses und achten Sie darauf, dass dieser innerhalb der angegebenen Zone liegt.
- Pro Tisch können mehrere Kabeldurchlässe eingesetzt werden.
- Der Kabeldurchlass kann parallel oder senkrecht zur langen Tischseite angebracht werden (ausgenommen Tische Tiefe 120 cm, wo nur die parallele Lage obligatorisch ist).

### Kabeldurchlass rechteckig (30 x 9 cm)

Art.-Nr.	Ausführung	Preis in EURO	Kauf	V. m <sup>2</sup>	Kg
02PAS01	Eloxiertes Aluminium	-	-	-	0,5
	Lackiert	-	-	-	-

### Kabeldurchlass rechteckig (30 x 9 cm) mit Behälter unter der Tischplatte

Art.-Nr.	Ausführung	Preis in EURO	Kauf	V. m <sup>2</sup>	Kg
02PAS02	Eloxiertes Aluminium	-	-	-	0,8
	Lackiert	-	-	-	-

### Kabeldurchlass Ø 6 cm

Art.-Nr.	Ausführung	Preis in EURO	Kauf	V. m <sup>2</sup>	Kg
02FOR01	Lackiert	-	-	-	-

