

Choose the language

English

Italiano

Français

Deutsch

Sushi Sizes

Depth 80 cm Depth 314/8"

80 80 cm 314/8"	→ Alucompact® → Pure-white → Glass
125 cm 492/8"	→ Alucompact® → Pure-white → Glass
125/165/205 cm 492/8/65/803/4"	→ Alucompact® → Pure-white → Glass
150 cm 59"	→ Alucompact® → Pure-white → Glass
150/190/230 cm 59/747/8/904/8" *	→ Alucompact® → Pure-white → Glass
177 cm 693/4"	→ Alucompact® → Pure-white → Glass
177/217/257 cm 693/4/854/8/1012/8" *	→ Alucompact® → Pure-white → Glass
200 cm 783/4"	→ Alucompact® → Pure-white → Glass
220 cm 865/8"	→ Alucompact® → Pure-white → Glass
240 cm 944/8"	→ Alucompact® → Pure-white → Glass
260 cm 1023/8"	→ Alucompact® → Pure-white → Glass
280 cm 1102/8"	→ Alucompact® → Pure-white → Glass
300 cm 1181/8"	→ Alucompact® → Pure-white → Glass

Depth 90 cm Depth 353/8"

90 90 cm 353/8"	→ Alucompact® → Pure-white → Glass
125 cm 492/8"	→ Alucompact® → Pure-white → Glass
150 cm 59"	→ Alucompact® → Pure-white → Fenix-NTM® → Glass → DEKTON®
150/187/224 cm 59/735/8/882/8" *	→ Alucompact® → Pure-white → Fenix-NTM® → Glass
150/187/224 cm 59/735/8/882/8"	→ DEKTON®
177 cm 693/4"	→ Alucompact® → Pure-white → Fenix-NTM® → Glass → DEKTON®
177/214/251/288 cm 693/4/842/8/987/8/1133/8"	→ Alucompact® → Pure-white → Fenix-NTM® → Glass
177/214/251 cm 693/4/842/8/987/8"	→ DEKTON®
200 cm 783/4"	→ Alucompact® → Pure-white → Fenix-NTM® → Glass → DEKTON®
200/237/274 cm 783/4/931/4/1077/8" *	→ Alucompact® → Pure-white → Fenix-NTM® → Glass
200/237/274 cm 783/4/931/4/1077/8"	→ DEKTON®
220 cm 865/8"	→ Alucompact® → Pure-white → Fenix-NTM® → Glass
220/257/294 cm 865/8/1012/8/1161/8" *	→ Alucompact® → Pure-white → Fenix-NTM® → Glass
240 cm 944/8"	→ Alucompact® → Pure-white → Glass
260 cm 1023/8"	→ Alucompact® → Pure-white → Glass
280 cm 1102/8"	→ Alucompact® → Pure-white → Glass
300 cm 1181/8"	→ Alucompact® → Pure-white → Glass

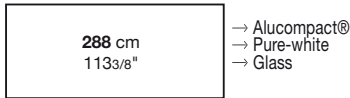
Depth 100 cm Depth 393/8"

100 100 cm 393/8"	→ Alucompact® → Pure-white → Glass
100/170 cm 393/8/67"	→ Alucompact® → Pure-white → Glass
150 cm 59"	→ Alucompact® → Pure-white → Glass
177 cm 693/4"	→ Alucompact® → Pure-white → Fenix-NTM® → Glass → DEKTON®
177/224/271 cm 693/4/885/8/1063/4" *	→ Alucompact® → Pure-white → Fenix-NTM® → Glass
177/214/251 cm 693/4/842/8/987/8"	→ DEKTON®
200 cm 783/4"	→ Alucompact® → Pure-white → Fenix-NTM® → Glass → DEKTON®
200/247/294 cm 783/4/972/8/1153/4" *	→ Alucompact® → Pure-white → Fenix-NTM® → Glass
200/237/274 cm 783/4/931/4/1077/8"	→ DEKTON®
220 cm 865/8"	→ Alucompact® → Pure-white → Fenix-NTM® → Glass
220/267/314 cm 865/8/1051/8/1233/4" *	→ Alucompact® → Pure-white → Fenix-NTM® → Glass
240 cm 944/8"	→ Alucompact® → Pure-white → Glass → DEKTON®
260 cm 1023/8"	→ Alucompact® → Pure-white → Glass
280 cm 1102/8"	→ Alucompact® → Pure-white → Glass → DEKTON®
300 cm 1181/8"	→ Alucompact® → Pure-white → Glass

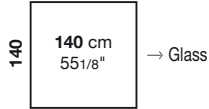
* = 3rd additional extension (on request)

Tops

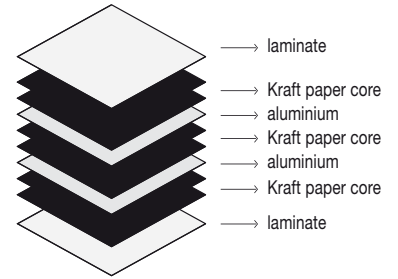
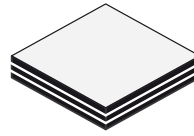
Depth 124 cm
Depth 487/8"



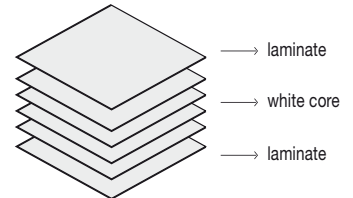
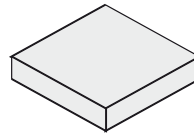
Depth 140 cm
Depth 551/8"



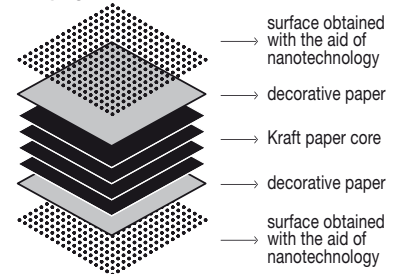
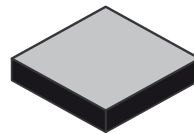
Alucompact® 10 mm thick



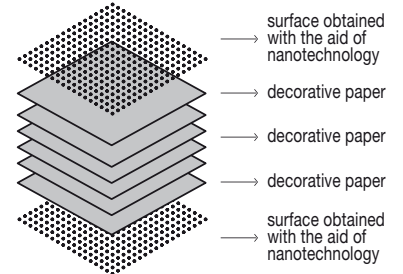
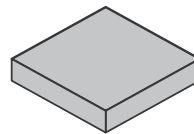
Pure-white 10 mm thick



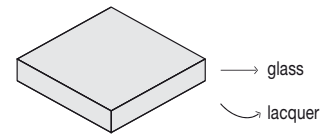
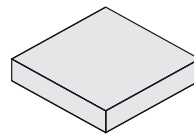
Fenix-NTM® black edge 10 mm thick



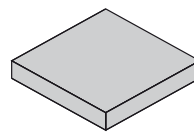
Fenix-NTM® coloured edge 10 mm thick



Glass 10 mm thick



DEKTON® by Cosentino 8 mm thick



Dekton is a sophisticated mix of raw materials used to create glass, latest generation ceramic and top-quality quartz surfaces.

Sushi Alucompact® / Pure-white

Extensible - Depth 80 cm.

Leg finish:

Anodised aluminium

White lacquered aluminium (similar to RAL 9016)

“Alucompact® sand grey” lacquered aluminium (similar to RAL 9002)

“Alucompact® anthracite grey” lacquered aluminium (similar to RAL 7015)

Black lacquered aluminium (similar to RAL 9004)

Finish of top/extensions:

Alucompact® laminate (white, sand grey, anthracite grey, black)

Pure-white laminate

→ For tables with codes marked with an asterisk (*), a third extension can be added to further increase the length.

→ Important: sizes and finishes marked with (!) require longer production lead time, about 6 weeks from the date of the order.

→ Tables that extend to more than 250 cm have a top that slightly bends, which complies with accepted quality standards.

→ Reinforced packaging, see page 205.

Extensible (►)

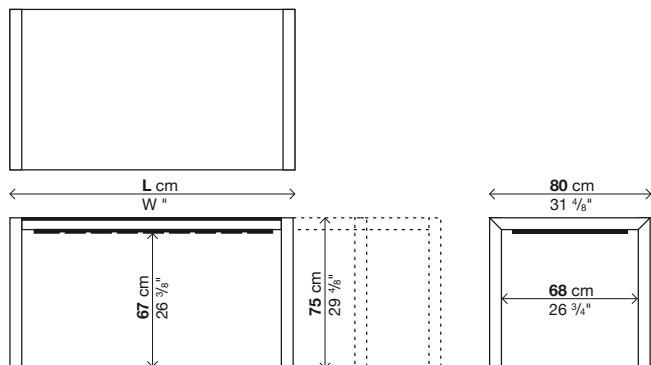
Code	Length (L)	Depth	Legs	Top	Price in EURO	Packs	Vol.³	Kg
01SUS01	125-165-205	80	aluminium	Alucompact	3	0,32	55	
				Pure-white (!)				
			lacquered	Alucompact				
				Pure-white (!)				
01SUS03*	150-190-230	80	aluminium	Alucompact	3	0,37	61	
				Pure-white (!)				
			lacquered	Alucompact				
				Pure-white (!)				
01SUS08*	177-217-257	80	aluminium	Alucompact	3	0,42	67	
				Pure-white (!)				
			lacquered	Alucompact				
				Pure-white (!)				

(*) 3rd additional extension

Code	Length (L)	Extension	Price in EURO	Packs	Vol.³	Kg
50SUS05A	33	Alucompact Pure-white		1	0,025	6

Optionals

Code			Price in EURO	Packs	Vol.³	Kg
02GTA02		legs height cut to size		-	-	-



Sushi Alucompact® / Pure-white

Fixed - Depth 80 cm.

Leg finish:

Anodised aluminium

White lacquered aluminium (similar to RAL 9016)

“Alucompact® sand grey” lacquered aluminium (similar to RAL 9002)

“Alucompact® anthracite grey” lacquered aluminium (similar to RAL 7015)

Black lacquered aluminium (similar to RAL 9004)

Finish of top:

Alucompact® laminate (white, sand grey, anthracite grey, black)

Pure-white laminate

→ Important: sizes and finishes marked with (!) require longer production lead time, about 6 weeks from the date of the order.

→ Tables that extend to more than 250 cm have a top that slightly bends, which complies with accepted quality standards.

→ Reinforced packaging, see page 205.


Fixed (II)

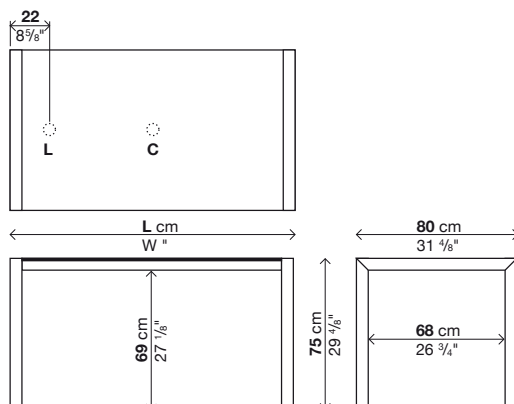
Code	Length (L)	Depth	Legs	Top	Price in EURO	Packs	Vol.³	Kg
01SUS10F	80	80	aluminium	Alucompact	1	0,18	26	
				Pure-white (!)				
			lacquered	Alucompact				
				Pure-white (!)				
01SUS01F	125	80	aluminium	Alucompact	1	0,27	35	
				Pure-white (!)				
			lacquered	Alucompact				
				Pure-white (!)				
01SUS03F	150	80	aluminium	Alucompact	1	0,32	41	
				Pure-white (!)				
			lacquered	Alucompact				
				Pure-white (!)				
01SUS32F	177	80	aluminium	Alucompact (!)	1	0,37	47	
				Pure-white (!)				
			lacquered	Alucompact (!)				
				Pure-white (!)				
01SUS34F	200	80	aluminium	Alucompact	1	0,41	52	
				Pure-white (!)				
			lacquered	Alucompact				
				Pure-white (!)				

Fixed (II)

Code	Length (L)	Depth	Legs	Top	Price in EURO	Packs	Vol.³	Kg
01SUS38F	220	80	aluminium	Alucompact (!)	1	0,45	56	
				Pure-white (!)				
			lacquered	Alucompact (!)				
				Pure-white (!)				
01SUS43F	240	80	aluminium	Alucompact (!)	1	0,49	60	
				Pure-white (!)				
			lacquered	Alucompact (!)				
				Pure-white (!)				
01SUS48F	260	80	aluminium	Alucompact (!)	1	0,53	65	
				Pure-white (!)				
			lacquered	Alucompact (!)				
				Pure-white (!)				
01SUS51F	280	80	aluminium	Alucompact (!)	1	0,57	68	
				Pure-white (!)				
			lacquered	Alucompact (!)				
				Pure-white (!)				
01SUS55F	300	80	aluminium	Alucompact (!)	1	0,61	72	
				Pure-white (!)				
			lacquered	Alucompact (!)				
				Pure-white (!)				

Optionals

Code			Price in EURO	Packs	Vol.³	Kg
02GTA02		legs height cut to size	-	-	-	-
02FOR01	Ø6	lateral or central cable hole	-	-	-	-
02RET01		plastic cable mesh	1	0,07	1	
02VER01		vertebra, opal white methacrylate	1	0,007	1,5	
02CPU01		CPU unit, opal white methacrylate	1	0,14	5,5	



Sushi Alucompact® / Pure-white / Fenix-NTM®

Extensible - Depth 90 cm.

Leg finish:

Anodised aluminium

White lacquered aluminium (similar to RAL 9016)

"Alucompact® sand grey" lacquered aluminium (similar to RAL 9002)

"Alucompact® anthracite grey" lacquered aluminium (similar to RAL 7015)

"Fenix-NTM® London grey" lacquered aluminium (similar to RAL Design0805005)

"Fenix-NTM® Bromo grey" lacquered aluminium (similar to RAL 7012)

Black lacquered aluminium (similar to RAL 9004)

Finish of top/extensions:

Alucompact® laminate (white, sand grey, anthracite grey, black)

Pure-white laminate

Fenix-NTM® black edge (Kos white 0032, London grey 0718, Bromo grey 0724, Ingo black 0720)

Fenix-NTM® coloured edge (Kos white 0032, London grey 0718)

→ For tables with codes marked with an asterisk (*), a third extension can be added to further increase the length.

→ Important: sizes and finishes marked with (!) require longer production lead time, about 6 weeks from the date of the order.

→ Tables that extend to more than 250 cm have a top that slightly bends, which complies with accepted quality standards.

→ Reinforced packaging, see page 205.

Extensible (▶)

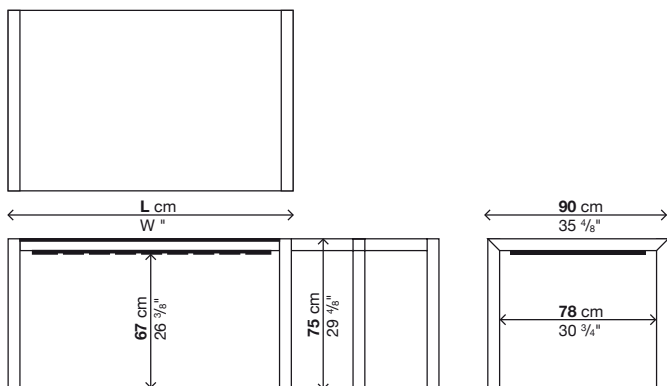
Code	Length (L)	Depth	Legs	Top	Price in EURO	Packs	Vol.³	Kg
01SUS07*	150-187-224	90	aluminium	Alucompact	3	0,41	71	
				Pure-white				
				Fenix black edge				
				Fenix coloured edge				
			lacquered	Alucompact				
				Pure-white				
				Fenix black edge				
				Fenix coloured edge				
01SUS06	177-214-251-288 3rd standard extension	90	aluminium	Alucompact	4	0,5	81	
				Pure-white				
				Fenix black edge				
				Fenix coloured edge				
			lacquered	Alucompact				
				Pure-white				
				Fenix black edge				
				Fenix coloured edge				
01SUS09*	200-237-274	90	aluminium	Alucompact	3	0,51	82	
				Pure-white				
				Fenix black edge				
				Fenix coloured edge				
			lacquered	Alucompact				
				Pure-white				
				Fenix black edge				
				Fenix coloured edge				
01SUS35*	220-257-294	90	aluminium	Alucompact (!)	3	0,55	88	
				Pure-white (!)				
				Fenix black edge (!)				
				Fenix coloured edge(!)				
			lacquered	Alucompact (!)				
				Pure-white (!)				
				Fenix black edge (!)				
				Fenix coloured edge(!)				

(*) 3rd additional extension

Code	Length (L)	Extension	Price in EURO	Packs	Vol.³	Kg
50SUS02A	37,5	Alucompact	1	0,025	6,5	
		Pure-white				
		Fenix black edge				
		Fenix coloured edge				
		Fenix coloured edge				

Optionals

Code			Price in EURO	Packs	Vol.³	Kg
02GTA02		legs height cut to size	-	-	-	-



Sushi Alucompact® / Pure-white / Fenix-NTM®

Fixed - Depth 90 cm.

Leg finish:

Anodised aluminium

White lacquered aluminium (similar to RAL 9016)

“Alucompact® sand grey” lacquered aluminium (similar to RAL 9002)

“Alucompact® anthracite grey” lacquered aluminium (similar to RAL 7015)

“Fenix-NTM® London grey” lacquered aluminium (similar to RAL Design0805005)

“Fenix-NTM® Bromo grey” lacquered aluminium (similar to RAL 7012)

Black lacquered aluminium (similar to RAL 9004)

Finish of top:

Alucompact® laminate (white, sand grey, anthracite grey, black)

Pure-white laminate

Fenix-NTM® black edge (Kos white 0032, London grey 0718, Bromo grey 0724, Ingo black 0720)

Fenix-NTM® coloured edge (Kos white 0032, London grey 0718)

→ Important: sizes and finishes marked with (!) require longer production lead time, about 6 weeks from the date of the order.

→ Tables that extend to more than 250 cm have a top that slightly bends, which complies with accepted quality standards.

→ Table L. 280 and 300cm have an under-top bars as a central support, therefore any cable hole cutouts cannot be centrally positioned in depth but must be slightly shifted.

→ Reinforced packaging, see page 205.

Fixed (II)

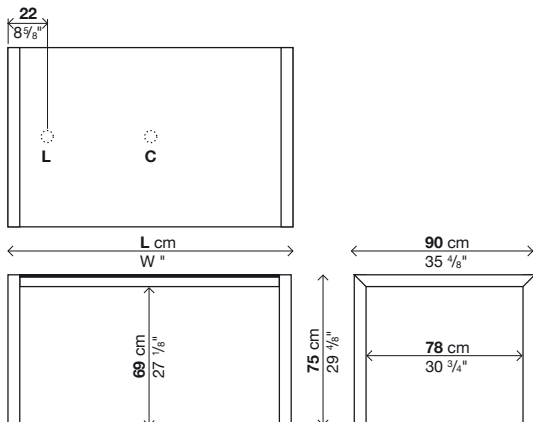
Code	Length (L)	Depth	Legs	Top	Price in EURO	Packs	Vol.³	Kg
01SUS57F	90	90	aluminium	Alucompact	1	0,23	30	
				Pure-white				
			lacquered	Alucompact	1	0,3	41	
				Pure-white				
01SUS59F	125	90	aluminium	Alucompact	1	0,3	41	
				Pure-white				
			lacquered	Alucompact	1	0,36	46	
				Pure-white				
01SUS07F	150	90	aluminium	Alucompact	1	0,36	46	
				Pure-white				
			lacquered	Fenix black edge	1	0,42	52	
				Fenix coloured edge				
01SUS06F	177	90	aluminium	Alucompact	1	0,42	52	
				Pure-white				
			lacquered	Alucompact	1	0,46	57	
				Pure-white				
01SUS64F	200	90	aluminium	Alucompact	1	0,46	57	
				Pure-white				
			lacquered	Fenix black edge	1	0,46	57	
				Fenix coloured edge				

Fixed (II)

Code	Length (L)	Depth	Legs	Top	Price in EURO	Packs	Vol.³	Kg
01SUS35F	220	90	aluminium	Alucompact (!)	1	0,5	62	
				Pure-white (!)				
			lacquered	Fenix black edge (!)	1	0,55	66	
				Fenix coloured edge (!)				
01SUS68F	240	90	aluminium	Alucompact (!)	1	0,59	71	
				Pure-white (!)				
			lacquered	Alucompact (!)	1	0,63	79	
				Pure-white (!)				
01SUS70F	260	90	aluminium	Alucompact (!)	1	0,67	85	
				Pure-white (!)				
			lacquered	Alucompact (!)	1	0,67	85	
				Pure-white (!)				
01SUS72F	280	90	aluminium	Alucompact (!)	1	0,67	85	
				Pure-white (!)				
			lacquered	Alucompact (!)	1	0,67	85	
				Pure-white (!)				
01SUS74F	300	90	aluminium	Alucompact (!)	1	0,67	85	
				Pure-white (!)				
			lacquered	Alucompact (!)	1	0,67	85	
				Pure-white (!)				

Optionals

Code			Price in EURO	Packs	Vol.³	Kg
02GTA02	✂	legs height cut to size	-	-	-	-
02FOR01	Ø6	lateral or central cable hole	-	-	-	-
02RET02		plastic cable mesh	1	0,07	1	
02VER01		vertebra, opal white methacrylate	1	0,007	1,5	
02CPU02		CPU unit, opal white methacrylate	1	0,14	5,5	



Sushi Alucompact® / Pure-white / Fenix-NTM®

Extensible - Depth 100 cm.

Leg finish:

Anodised aluminium

White lacquered aluminium (similar to RAL 9016)

"Alucompact® sand grey" lacquered aluminium (similar to RAL 9002)

"Alucompact® anthracite grey" lacquered aluminium (similar to RAL 7015)

"Fenix-NTM® London grey" lacquered aluminium (similar to RAL Design0805005)

"Fenix-NTM® Bromo grey" lacquered aluminium (similar to RAL 7012)

Black lacquered aluminium (similar to RAL 9004)

Finish of top/extensions:

Alucompact® laminate (white, sand grey, anthracite grey, black)

Pure-white laminate

Fenix-NTM® black edge (Kos white 0032, London grey 0718, Bromo grey 0724, Ingo black 0720)

Fenix-NTM® coloured edge (Kos white 0032, London grey 0718)

→ For tables with codes marked with an asterisk (*), a third extension can be added to further increase the length.

→ Tables that extend to more than 250 cm have a top that slightly bends, which complies with accepted quality standards.

→ Reinforced packaging, see page 205.

Extensible (►)

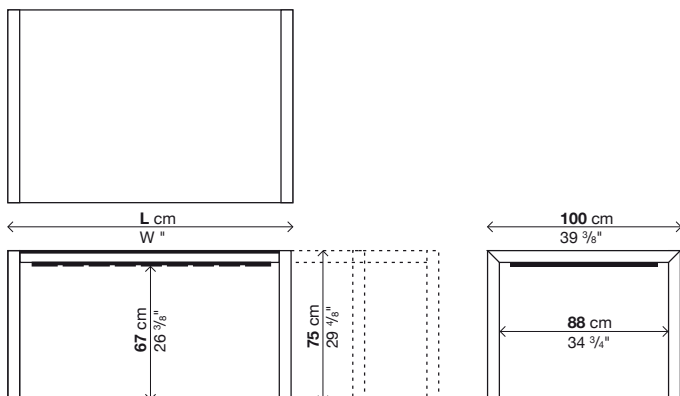
Code	Length (L)	Depth	Legs	Top	Price in EURO	Packs	Vol.³	Kg
01SUS04	100-170	100	aluminium	Alucompact	3	0,33	55	
				Pure-white				
			lacquered	Alucompact				
				Pure-white				
01SUS02*	177-224-271	100	aluminium	Alucompact	3	0,52	85	
				Pure-white				
				Fenix black edge				
				Fenix coloured edge				
			lacquered	Alucompact				
				Pure-white				
				Fenix black edge				
				Fenix coloured edge				
01SUS36*	200-247-294	100	aluminium	Alucompact	3	0,57	92	
				Pure-white				
				Fenix black edge				
				Fenix coloured edge				
			lacquered	Alucompact				
				Pure-white				
				Fenix black edge				
				Fenix coloured edge				
01SUS05*	220-267-314	100	aluminium	Alucompact	3	0,62	98	
				Pure-white				
				Fenix black edge				
				Fenix coloured edge				
			lacquered	Alucompact				
				Pure-white				
				Fenix black edge				
				Fenix coloured edge				

(*) 3rd additional extension

Code	Length (L)	Extension	Price in EURO	Packs	Vol.³	Kg
50SUS06A	33	Alucompact	1	0,035	6	
		Pure-white				
		Fenix black edge				
		Fenix coloured edge				

Optionals

Code			Price in EURO	Packs	Vol.³	Kg
02GTA02		legs height cut to size	-	-	-	-



Sushi Alucompact® / Pure-white / Fenix-NTM®

Fixed - Depth 100 cm.

Leg finish:

Anodised aluminium

White lacquered aluminium (similar to RAL 9016)

"Alucompact® sand grey" lacquered aluminium (similar to RAL 9002)

"Alucompact® anthracite grey" lacquered aluminium (similar to RAL 7015)

"Fenix-NTM® London grey" lacquered aluminium (similar to RAL Design0805005)

"Fenix-NTM® Bromo grey" lacquered aluminium (similar to RAL 7012)

Black lacquered aluminium (similar to RAL 9004)

Finish of top:

Alucompact® laminate (white, sand grey, anthracite grey, black)

Pure-white laminate

Fenix-NTM® black edge (Kos white 0032, London grey 0718, Bromo grey 0724, Ingo black 0720)

Fenix-NTM® coloured edge (Kos white 0032, London grey 0718)

→ Important: sizes and finishes marked with (!) require longer production lead time, about 6 weeks from the date of the order.

→ Tables that extend to more than 250 cm have a top that slightly bends, which complies with accepted quality standards.

→ Table L. 280 and 300cm have an under-top bars as a central support, therefore any cable hole cutouts cannot be centrally positioned in depth but must be slightly shifted.

→ Reinforced packaging, see page 205.


Fixed (II)

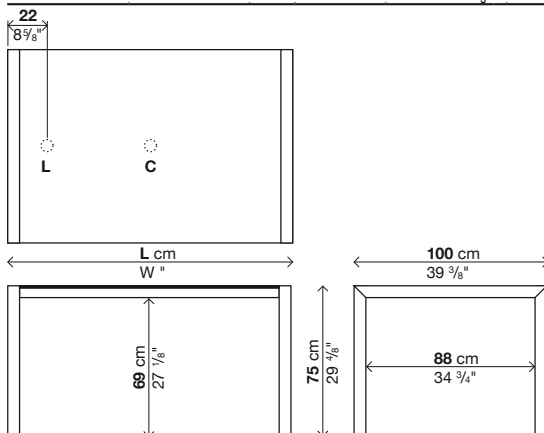
Code	Length (L)	Depth	Legs	Top	Price in EURO	Packs	Vol.³	Kg
01SUS04F	100	100	aluminium	Alucompact	1	0,32	40	
				Pure-white				
			lacquered	Alucompact				
				Pure-white				
01SUS78F	150	100	aluminium	Alucompact	1	0,39	50	
				Pure-white				
			lacquered	Alucompact				
				Pure-white				
01SUS02F	177	100	aluminium	Alucompact	1	0,45	56	
				Pure-white				
				Fenix black edge				
			lacquered	Fenix coloured edge				
				Alucompact				
				Pure-white				
01SUS08F	200	100	aluminium	Fenix black edge	1	0,5	62	
				Fenix coloured edge				
				Alucompact				
			lacquered	Pure-white				
				Fenix black edge				
				Fenix coloured edge				
01SUS05F	220	100	aluminium	Alucompact	1	0,55	67	
				Pure-white				
				Fenix black edge				
			lacquered	Fenix coloured edge				
				Alucompact				
				Pure-white				

Fixed (II)

Code	Length (L)	Depth	Legs	Top	Price in EURO	Packs	Vol.³	Kg
01SUS09F	240	100	aluminium	Alucompact (!)	1	0,6	72	
				Pure-white (!)				
			lacquered	Alucompact (!)				
				Pure-white (!)				
01SUS80F	260	100	aluminium	Alucompact (!)	1	0,65	77	
				Pure-white (!)				
			lacquered	Alucompact (!)				
				Pure-white (!)				
01SUS82F	280	100	aluminium	Alucompact (!)	1	0,69	85	
				Pure-white (!)				
			lacquered	Alucompact (!)				
				Pure-white (!)				
01SUS36F	300	100	aluminium	Alucompact (!)	1	0,74	90	
				Pure-white (!)				
			lacquered	Alucompact (!)				
				Pure-white (!)				

Optionals

Code			Price in EURO	Packs	Vol.³	Kg
02GTA02		legs height cut to size	-	-	-	-
02FOR01	∅6	lateral or central cable hole	-	-	-	-
02RET03		plastic cable mesh	1	0,07	1	
02VER01		vertebra, opal white methacrylate	1	0,007	1,5	
02CPU03		CPU unit, opal white methacrylate	1	0,14	5,5	



Sushi Alucompact® / Pure-white

Fixed - Depth 124 cm.

Leg finish:

Anodised aluminium

White lacquered aluminium (similar to RAL 9016)

“Alucompact® sand grey” lacquered aluminium (similar to RAL 9002)

“Alucompact® anthracite grey” lacquered aluminium (similar to RAL 7015)

Black lacquered aluminium (similar to RAL 9004)

Finish of top:

Alucompact® laminate (white, sand grey, anthracite grey, black)

Pure-white laminate

→ Important: sizes and finishes marked with (!) require longer production lead time, about 6 weeks from the date of the order.


→ Tables that extend to more than 250 cm have a top that slightly bends, which complies with accepted quality standards.

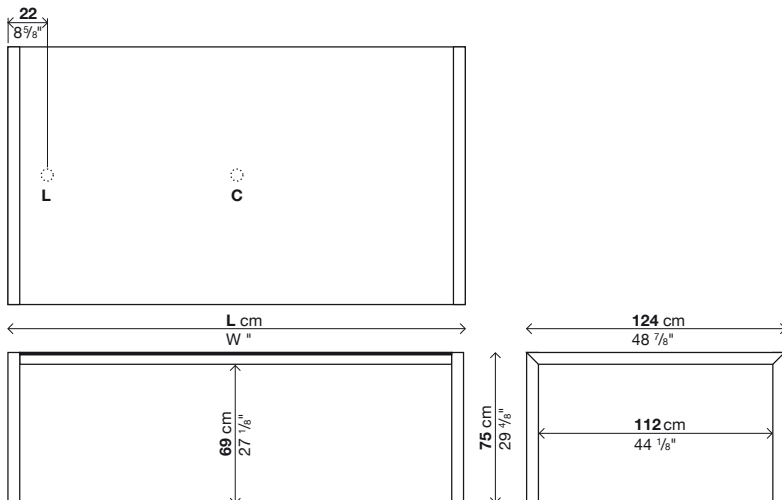
→ Reinforced packaging, see page 205.

Fixed (II)

Code	Length (L)	Depth	Legs	Top	Price in EURO	Packs	Vol.³	Kg
01SUS88F	220	124	aluminium	Alucompact (!)	1	0,66	86	
				Pure-white (!)				
			lacquered	Alucompact (!)				
				Pure-white (!)				
01SUS90F	240	124	aluminium	Alucompact (!)	1	0,72	92	
				Pure-white (!)				
			lacquered	Alucompact (!)				
				Pure-white (!)				
01SUS92F	288	124	aluminium	Alucompact (!)	1	0,85	108	
				Pure-white (!)				
			lacquered	Alucompact (!)				
				Pure-white (!)				

Optionals

Code			Price in EURO	Packs	Vol.³	Kg
02GTA02		legs height cut to size	-	-	-	-
02FOR01	Ø6	lateral or central cable hole				
02RET04		plastic cable mesh	1	0,07	1	
02VER01		vertebra, opal white methacrylate	1	0,007	1,5	
02CPU04		CPU unit, opal white methacrylate	1	0,14	5,5	



Sushi DEKTON® by Cosentino

Extensible/Fixed - Depth 90/100 cm.

Leg finish:

Anodised aluminium
 White lacquered aluminium (similar to RAL 9016)
 "Ventus grey" lacquered aluminium

Finish of top:

DEKTON® Zenith white
 DEKTON® Ventus grey
 DEKTON® Aura (digital marble)

Finish of extensions:

White lacquered aluminium (similar to RAL 9016)
 "Ventus grey" lacquered aluminium

→ Important: the grain pattern reproduced on the surface of DEKTON® Aura (digital marble) tops is random, a special feature that makes each top unique and original. This characteristic implies possible differences to samples that are not to be considered imperfections or irregularities. Due to their random nature, more or less uniform grain patterns cannot be requested.

→ Important: sizes and finishes marked with (I) require longer production lead time, about 6 weeks from the date of the order.

→ Tables that extend to more than 250 cm have a top that slightly bends, which complies with accepted quality standards.

→ Reinforced packaging, see page 205.

Extensible (►)

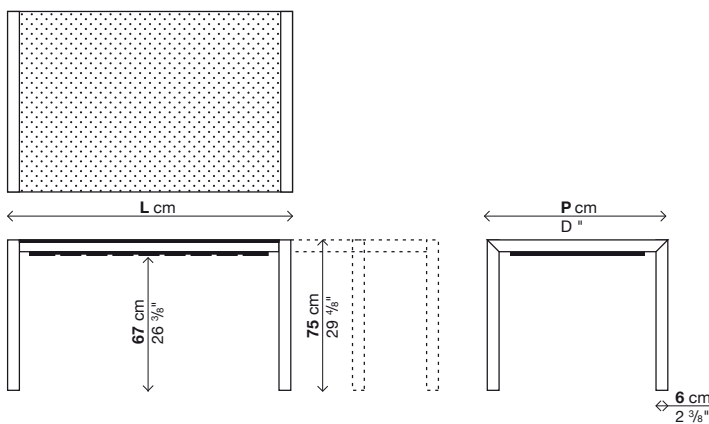
Code	Length (L)	Depth	Legs	Top	Price in EURO	Packs	Vol. ³	Kg
01SUS07	150-187-224	90	aluminium	DEKTON (I)		3	0,41	89
			lacquered	DEKTON (I)				
01SUS06	177-214-251	90	aluminium	DEKTON (I)		3	0,5	102
			lacquered	DEKTON (I)				
01SUS09	200-237-274	90	aluminium	DEKTON (I)		3	0,51	105
			lacquered	DEKTON (I)				
01SUS02	177-214-251	100	aluminium	DEKTON (I)		3	0,52	108
			lacquered	DEKTON (I)				
01SUS36	200-237-274	100	aluminium	DEKTON (I)		3	0,57	118
			lacquered	DEKTON (I)				

Fixed (II)

Code	Length (L)	Depth	Legs	Top	Price in EURO	Packs	Vol. ³	Kg
01SUS07F	150	90	aluminium	DEKTON (I)		1	0,36	60
			lacquered	DEKTON (I)				
01SUS06F	177	90	aluminium	DEKTON (I)		1	0,42	69
			lacquered	DEKTON (I)				
01SUS64F	200	90	aluminium	DEKTON (I)		1	0,46	76
			lacquered	DEKTON (I)				
01SUS02F	177	100	aluminium	DEKTON (I)		1	0,45	74
			lacquered	DEKTON (I)				
01SUS08F	200	100	aluminium	DEKTON (I)		1	0,5	83
			lacquered	DEKTON (I)				
01SUS09F	240	100	aluminium	DEKTON (I)		1	0,6	97
			lacquered	DEKTON (I)				
01SUS82F	280	100	aluminium	DEKTON (I)		1	0,69	115
			lacquered	DEKTON (I)				

Optionals

Code	Depth		Price in EURO	Packs	Vol. ³	Kg
02GTA02		legs height cut to size	-	-	-	-
02RET01	80	plastic cable mesh	1	0,07	1	
02RET02	90	plastic cable mesh	1	0,07	1	
02RET03	100	plastic cable mesh	1	0,07	1	
02VER01		vertebra, opal white methacrylate	1	0,007	1,5	
02CPU01	80	CPU unit, opal white methacrylate	1	0,14	5,5	
02CPU02	90	CPU unit, opal white methacrylate	1	0,14	5,5	
02CPU03	100	CPU unit, opal white methacrylate	1	0,14	5,5	



HIGHLY UV RESISTANT



RESISTANT TO ABRASION



RESISTANT TO STAIN



MAXIMUM RESISTANCE TO FIRE AND HEAT



LOW WATER ABSORPTION



HIGH MECHANICAL RESISTANCE



COLOUR STABILITY



DIMENSIONAL STABILITY



FIREPROOF MATERIAL

Sushi glass

Extensible - Depth 80 cm.

Leg finish:

Anodised aluminium

White lacquered aluminium (similar to RAL 9016)

Black lacquered aluminium (similar to RAL 9004)

Finish of top:

Gloss glass in standard colours: extra white, anthracite, black, titanium

Gloss glass in RAL/NCS range colours on request

Matt glass in colours: extra white, anthracite grey, black, titanium

Finish of extensions:

White Alucompact® laminate

Sand grey Alucompact® laminate

Anthracite grey Alucompact® laminate

Black Alucompact® laminate

→ For tables with codes marked with an asterisk (*), a third extension can be added to further increase the length.

→ Important: sizes and finishes marked with (!) require longer production lead time, about 6 weeks from the date of the order.

→ Please note: variations in shade against selected RAL/NCS sample cannot be avoided and are caused by colour refracting through the thickness of the glass.
RAL/NCS colours are not available in shades of white.

→ Tables that extend to more than 250 cm have a top that slightly bends, which complies with accepted quality standards.

→ Reinforced packaging, see page 205.

Extensible (▶)

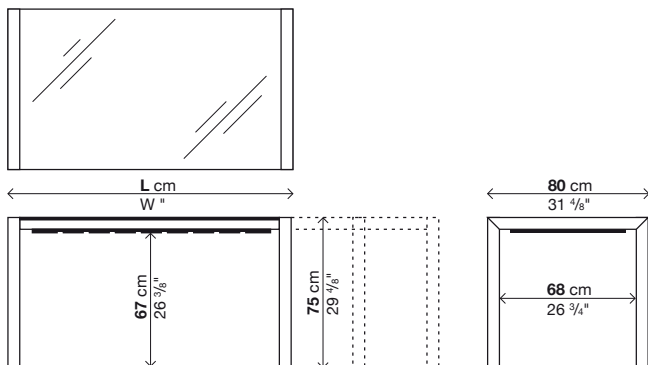
Code	Length (L)	Depth	Legs	Top	Price in EURO	Packs	Vol. 3	Kg
01SUS11	125-165-205	80	aluminium	gloss in standard	3	0,32	64	
				gloss in RAL/NCS (!)				
			lacquered	matt glass				
				gloss in standard				
01SUS13*	150-190-230	80	aluminium	gloss in standard	3	0,37	72	
				gloss in RAL/NCS (!)				
			lacquered	matt glass				
				gloss in standard				
01SUS16*	177-217-257	80	aluminium	gloss in standard	3	0,42	79	
				gloss in RAL/NCS (!)				
			lacquered	matt glass				
				gloss in standard				
				gloss in RAL/NCS (!)				
				matt glass				

(*) 3rd additional extension

Code	Length (L)	Extension	Price in EURO	Packs	Vol. 3	Kg
50SUS05A	33	Alucompact		1	0,025	6

Optionals

Code		Price in EURO	Packs	Vol. 3	Kg
02GTA02	 legs height cut to size		-	-	-



Sushi glass

Fixed - Depth 80 cm.

Leg finish:

Anodised aluminium

White lacquered aluminium (similar to RAL 9016)

Black lacquered aluminium (similar to RAL 9004)

Finish of top:

Gloss glass in standard colours: extra white, anthracite, black, titanium

Gloss glass in RAL/NCS range colours on request

Matt glass in colours: extra white, anthracite grey, black, titanium

→ Important: sizes and finishes marked with (!) require longer production lead time, about 6 weeks from the date of the order.

→ Please note: variations in shade against selected RAL/NCS sample cannot be avoided and are caused by colour refracting through the thickness of the glass.
RAL/NCS colours are not available in shades of white.

→ Tables that extend to more than 250 cm have a top that slightly bends, which complies with accepted quality standards.

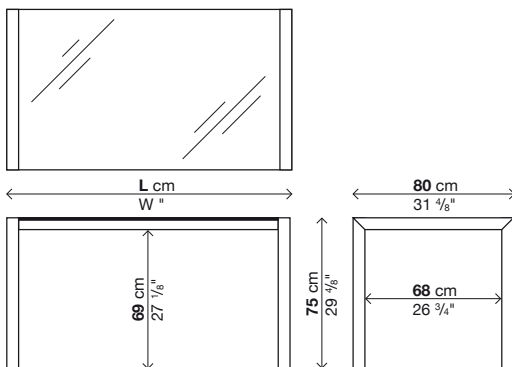
→ Reinforced packaging, see page 205.

Fixed (II)

Code	Length (L)	Depth	Legs	Top	Price in EURO	Packs	Vol.³	Kg
01SUS31F	80	80	aluminium	gloss in standard	1	0,18	31	
				gloss in RAL/NCS (!)				
			matt glass					
			gloss in standard					
01SUS11F	125	80	aluminium	gloss in standard	1	0,27	44	
				gloss in RAL/NCS (!)				
			matt glass					
			gloss in standard					
01SUS13F	150	80	aluminium	gloss in standard	1	0,32	52	
				gloss in RAL/NCS (!)				
			matt glass					
			gloss in standard					
01SUS33F	177	80	aluminium	gloss in standard	1	0,37	58	
				gloss in RAL/NCS (!)				
			matt glass					
			gloss in standard					
01SUS37F	200	80	aluminium	gloss in standard	1	0,41	66	
				gloss in RAL/NCS (!)				
			matt glass					
			gloss in standard					

Fixed (II)

Code	Length (L)	Depth	Legs	Top	Price in EURO	Packs	Vol.³	Kg
01SUS39F	220	80	aluminium	gloss in standard (!)	1	0,45	72	
				gloss in RAL/NCS (!)				
			matt glass (!)					
			gloss in standard (!)					
01SUS45F	240	80	aluminium	gloss in standard (!)	1	0,49	77	
				gloss in RAL/NCS (!)				
			matt glass (!)					
			gloss in standard (!)					
01SUS49F	260	80	aluminium	gloss in standard (!)	1	0,53	83	
				gloss in RAL/NCS (!)				
			matt glass (!)					
			gloss in standard (!)					
01SUS53F	280	80	aluminium	gloss in standard (!)	1	0,57	88	
				gloss in RAL/NCS (!)				
			matt glass (!)					
			gloss in standard (!)					
01SUS56F	300	80	aluminium	gloss in standard (!)	1	0,61	94	
				gloss in RAL/NCS (!)				
			matt glass (!)					
			gloss in standard (!)					



Optionals

Code			Price in EURO	Packs	Vol.³	Kg
02GTA02		legs height cut to size	-	-	-	-
02RET01		plastic cable mesh	1	0,07	1	
02VER01		vertebra, opal white methacrylate	1	0,007	1,5	
02CPU01		CPU unit, opal white methacrylate	1	0,14	5,5	

Sushi glass

Extensible - Depth 90 cm.

Leg finish:

Anodised aluminium

White lacquered aluminium (similar to RAL 9016)

Black lacquered aluminium (similar to RAL 9004)

Finish of top:

Gloss glass in standard colours: extra white, anthracite, black, titanium

Gloss glass in RAL/NCS range colours on request

Matt glass in colours: extra white, anthracite grey, black, titanium

Finish of extensions:

White Alucompact® laminate

Sand grey Alucompact® laminate

Anthracite grey Alucompact® laminate

Black Alucompact® laminate

→ For tables with codes marked with an asterisk (*), a third extension can be added to further increase the length.

→ Important: sizes and finishes marked with (!) require longer production lead time, about 6 weeks from the date of the order.

→ Please note: variations in shade against selected RAL/NCS sample cannot be avoided and are caused by colour refracting through the thickness of the glass.
RAL/NCS colours are not available in shades of white.

→ Tables that extend to more than 250 cm have a top that slightly bends, which complies with accepted quality standards.

→ Reinforced packaging, see page 205.

Extensible (►)

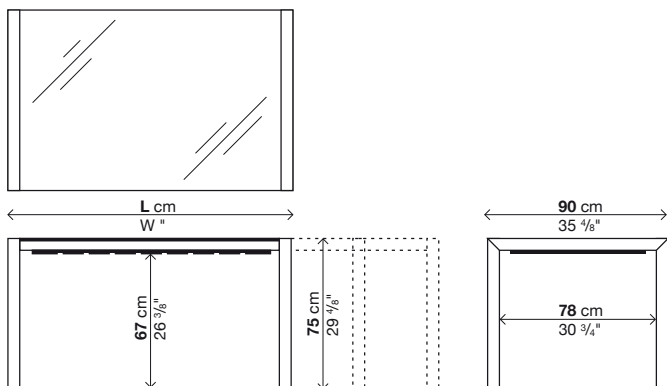
Code	Length (L)	Depth	Legs	Top	Price in EURO	Packs	Vol.³	Kg
01SUS17*	150-187-224	90	aluminium	gloss in standard	3	0,41	81	
				gloss in RAL/NCS (!)				
				matt glass				
			lacquered	gloss in standard				
				gloss in RAL/NCS (!)				
				matt glass				
01SUS15	177-214-251-288 <i>3 rd standard extension</i>	90	aluminium	gloss in standard	4	0,5	96	
				gloss in RAL/NCS (!)				
				matt glass				
			lacquered	gloss in standard				
				gloss in RAL/NCS (!)				
				matt glass				
01SUS18*	200-237-274	90	aluminium	gloss in standard	3	0,51	98	
				gloss in RAL/NCS (!)				
				matt glass				
			lacquered	gloss in standard				
				gloss in RAL/NCS (!)				
				matt glass				
01SUS52*	220-257-294	90	aluminium	gloss in standard	3	0,55	105	
				gloss in RAL/NCS (!)				
				matt glass				
			lacquered	gloss in standard				
				gloss in RAL/NCS (!)				
				matt glass				

(*) 3rd additional extension

Code	Length (L)	Extension	Price in EURO	Packs	Vol.³	Kg
50SUS02A	37,5	Alucompact		1	0,025	6,5

Optionals

Code		Price in EURO	Packs	Vol.³	Kg
02GTA02	 legs height cut to size		-	-	-



Sushi glass

Fixed - Depth 90 cm.

Leg finish:

Anodised aluminium

White lacquered aluminium (similar to RAL 9016)

Black lacquered aluminium (similar to RAL 9004)

Finish of top:

Gloss glass in standard colours: extra white, anthracite, black, titanium

Gloss glass in RAL/NCS range colours on request

Matt glass in colours: extra white, anthracite grey, black, titanium

→ Important: sizes and finishes marked with (!) require longer production lead time, about 6 weeks from the date of the order.

→ Please note: variations in shade against selected RAL/NCS sample cannot be avoided and are caused by colour refracting through the thickness of the glass.
RAL/NCS colours are not available in shades of white.

→ Tables that extend to more than 250 cm have a top that slightly bends, which complies with accepted quality standards.

→ Reinforced packaging, see page 205.


Fixed (II)

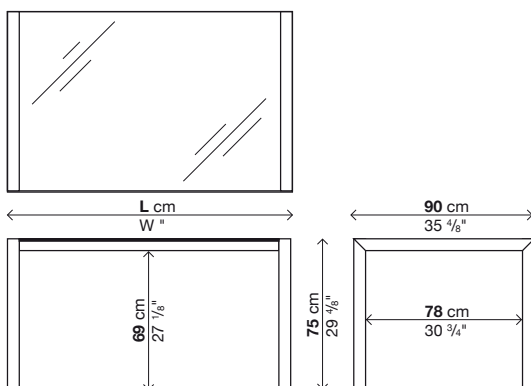
Code	Length (L)	Depth	Legs	Top	Price in EURO	Packs	Vol.³	Kg
01SUS58F	90	90	aluminium	gloss in standard	1	0,23	37	
				gloss in RAL/NCS (!)				
				matt glass				
			lacquered	gloss in standard				
				gloss in RAL/NCS (!)				
				matt glass				
01SUS63F	125	90	aluminium	gloss in standard	1	0,3	51	
				gloss in RAL/NCS (!)				
				matt glass				
			lacquered	gloss in standard				
				gloss in RAL/NCS (!)				
				matt glass				
01SUS17F	150	90	aluminium	gloss in standard	1	0,36	58	
				gloss in RAL/NCS (!)				
				matt glass				
			lacquered	gloss in standard				
				gloss in RAL/NCS (!)				
				matt glass				
01SUS15F	177	90	aluminium	gloss in standard	1	0,42	67	
				gloss in RAL/NCS (!)				
				matt glass				
			lacquered	gloss in standard				
				gloss in RAL/NCS (!)				
				matt glass				
01SUS67F	200	90	aluminium	gloss in standard	1	0,46	74	
				gloss in RAL/NCS (!)				
				matt glass				
			lacquered	gloss in standard				
				gloss in RAL/NCS (!)				
				matt glass				

Fixed (II)

Code	Length (L)	Depth	Legs	Top	Price in EURO	Packs	Vol.³	Kg
01SUS52F	220	90	aluminium	gloss in standard (!)	1	0,5	80	
				gloss in RAL/NCS (!)				
				matt glass (!)				
			lacquered	gloss in standard (!)				
				gloss in RAL/NCS (!)				
				matt glass (!)				
01SUS69F	240	90	aluminium	gloss in standard (!)	1	0,55	86	
				gloss in RAL/NCS (!)				
				matt glass (!)				
			lacquered	gloss in standard (!)				
				gloss in RAL/NCS (!)				
				matt glass (!)				
01SUS71F	260	90	aluminium	gloss in standard (!)	1	0,59	92	
				gloss in RAL/NCS (!)				
				matt glass (!)				
			lacquered	gloss in standard (!)				
				gloss in RAL/NCS (!)				
				matt glass (!)				
01SUS73F	280	90	aluminium	gloss in standard (!)	1	0,63	103	
				gloss in RAL/NCS (!)				
				matt glass (!)				
			lacquered	gloss in standard (!)				
				gloss in RAL/NCS (!)				
				matt glass (!)				
01SUS75F	300	90	aluminium	gloss in standard (!)	1	0,67	109	
				gloss in RAL/NCS (!)				
				matt glass (!)				
			lacquered	gloss in standard (!)				
				gloss in RAL/NCS (!)				
				matt glass (!)				

Optionals

Code			Price in EURO	Packs	Vol.³	Kg
02GTA02		legs height cut to size	-	-	-	-
02RET02		plastic cable mesh	1	0,07	1	
02VER01		vertebra, opal white methacrylate	1	0,007	1,5	
02CPU02		CPU unit, opal white methacrylate	1	0,14	5,5	



Sushi glass

Extensible - Depth 100 cm.

Leg finish:

Anodised aluminium

White lacquered aluminium (similar to RAL 9016)

Black lacquered aluminium (similar to RAL 9004)

Finish of top:

Gloss glass in standard colours: extra white, anthracite, black, titanium

Gloss glass in RAL/NCS range colours on request

Matt glass in colours: extra white, anthracite grey, black, titanium

Finish of extensions:

White Alucompact® laminate

Sand grey Alucompact® laminate

Anthracite grey Alucompact® laminate

Black Alucompact® laminate

→ For tables with codes marked with an asterisk (*), a third extension can be added to further increase the length.

→ Important: sizes and finishes marked with (!) require longer production lead time, about 6 weeks from the date of the order.

→ Please note: variations in shade against selected RAL/NCS sample cannot be avoided and are caused by colour refracting through the thickness of the glass.
RAL/NCS colours are not available in shades of white.

→ Tables that extend to more than 250 cm have a top that slightly bends, which complies with accepted quality standards.

→ Reinforced packaging, see page 205.

Extensible (►)

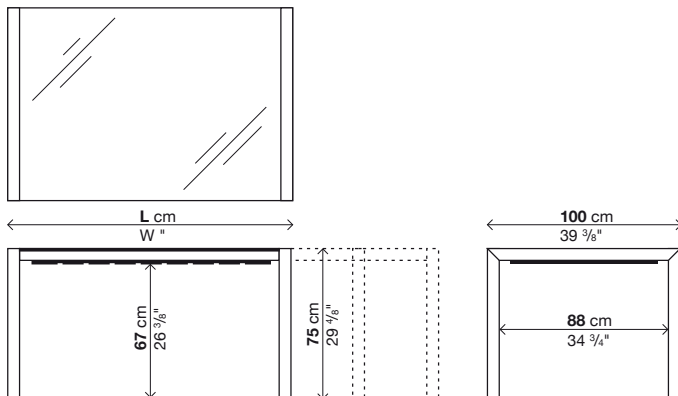
Code	Length (L)	Depth	Legs	Top	Price in EURO	Packs	Vol.³	Kg
01SUS14	100-170	100	aluminium	gloss in standard	3	0,33	63	
				gloss in RAL/NCS (!)				
				matt glass				
				gloss in standard				
01SUS12*	177-224-271	100	aluminium	gloss in standard	3	0,52	101	
				gloss in RAL/NCS (!)				
				matt glass				
				gloss in standard				
01SUS20*	200-247-294	100	aluminium	gloss in standard	3	0,57	108	
				gloss in RAL/NCS (!)				
				matt glass				
				gloss in standard				
01SUS19*	220-267-314	100	aluminium	gloss in standard	3	0,62	118	
				gloss in RAL/NCS (!)				
				matt glass				
				gloss in standard				
			lacquered	gloss in RAL/NCS (!)				
				matt glass				
				gloss in standard				
				gloss in RAL/NCS (!)				

(*) 3rd additional extension

Code	Length (L)	Extension	Price in EURO	Packs	Vol.³	Kg
50SUS06A	33	Alucompact		1	0,035	6

Optionals

Code		Price in EURO	Packs	Vol.³	Kg
02GTA02	✂	legs height cut to size	-	-	-



Sushi glass

Fixed - Depth 100 cm.

Leg finish:

Anodised aluminium

White lacquered aluminium (similar to RAL 9016)

Black lacquered aluminium (similar to RAL 9004)

Finish of top:

Gloss glass in standard colours: extra white, anthracite, black, titanium

Gloss glass in RAL/NCS range colours on request

Matt glass in colours: extra white, anthracite grey, black, titanium

→ Important: sizes and finishes marked with (!) require longer production lead time, about 6 weeks from the date of the order.

→ Please note: variations in shade against selected RAL/NCS sample cannot be avoided and are caused by colour refracting through the thickness of the glass.
RAL/NCS colours are not available in shades of white.

→ Tables that extend to more than 250 cm have a top that slightly bends, which complies with accepted quality standards.

→ Reinforced packaging, see page 205.


Fixed (II)

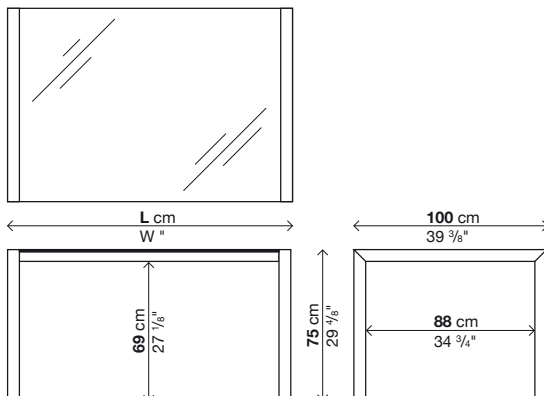
Code	Length (L)	Depth	Legs	Top	Price in EURO	Packs	Vol. m ³	Kg
01SUS14F	100	100	aluminium	gloss in standard	1	0,27	45	
				gloss in RAL/NCS (!)				
			matt glass					
			gloss in standard					
01SUS79F	150	100	aluminium	gloss in standard	1	0,39	63	
				gloss in RAL/NCS (!)				
			matt glass					
			gloss in standard					
01SUS12F	177	100	aluminium	gloss in standard	1	0,45	72	
				gloss in RAL/NCS (!)				
			matt glass					
			gloss in standard					
01SUS16F	200	100	aluminium	gloss in standard	1	0,5	80	
				gloss in RAL/NCS (!)				
			matt glass					
			gloss in standard					
01SUS19F	220	100	aluminium	gloss in standard	1	0,55	87	
				gloss in RAL/NCS (!)				
			matt glass					
			gloss in standard					
			lacquered	gloss in RAL/NCS (!)				
				matt glass				
			gloss in standard					
			gloss in RAL/NCS (!)					

Fixed (II)

Code	Length (L)	Depth	Legs	Top	Price in EURO	Packs	Vol. m ³	Kg
01SUS50F	240	100	aluminium	gloss in standard (!)	1	0,6	93	
				gloss in RAL/NCS (!)				
			matt glass (!)					
			gloss in standard (!)					
01SUS81F	260	100	aluminium	gloss in standard (!)	1	0,65	100	
				gloss in RAL/NCS (!)				
			matt glass (!)					
			gloss in standard (!)					
01SUS83F	280	100	aluminium	gloss in standard (!)	1	0,69	110	
				gloss in RAL/NCS (!)				
			matt glass (!)					
			gloss in standard (!)					
01SUS54F	300	100	aluminium	gloss in standard (!)	1	0,74	118	
				gloss in RAL/NCS (!)				
			matt glass (!)					
			gloss in standard (!)					
			lacquered	gloss in RAL/NCS (!)				
				matt glass (!)				
			gloss in standard (!)					
			gloss in RAL/NCS (!)					

Optionals

Code			Price in EURO	Packs	Vol. m ³	Kg
02GTA02		legs height cut to size	-	-	-	-
02RET03		plastic cable mesh	1	0,07	1	
02VER01		vertebra, opal white methacrylate	1	0,007	1,5	
02CPU03		CPU unit, opal white methacrylate	1	0,14	5,5	



Sushi glass

Fixed - Depth 124 cm.

Leg finish:

Anodised aluminium

White lacquered aluminium (similar to RAL 9016)

Black lacquered aluminium (similar to RAL 9004)

Finish of top:

Gloss glass in standard colours: extra white, anthracite, black, titanium

Gloss glass in RAL/NCS range colours on request

Matt glass in colours: extra white, anthracite grey, black, titanium

→ Important: sizes and finishes marked with (!) require longer production lead time, about 6 weeks from the date of the order.

→ Please note: variations in shade against selected RAL/NCS sample cannot be avoided and are caused by colour refracting through the thickness of the glass.
RAL/NCS colours are not available in shades of white.


→ Tables that extend to more than 250 cm have a top that slightly bends, which complies with accepted quality standards.

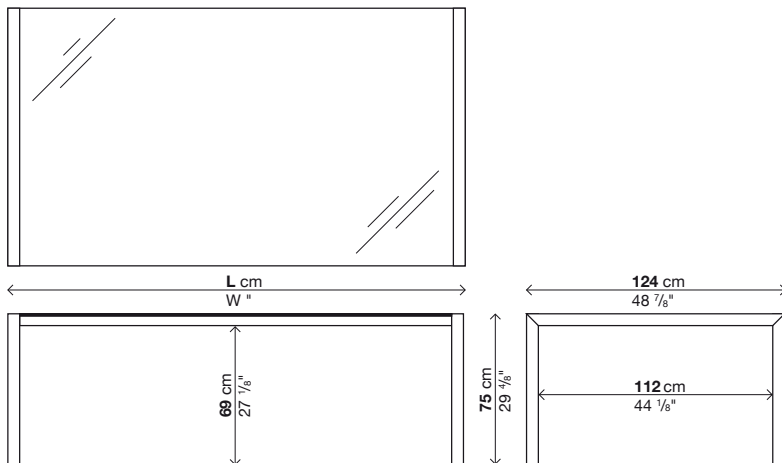
→ Reinforced packaging, see page 205.

Fixed (II)

Code	Length (L)	Depth	Legs	Top	Price in EURO	Packs	Vol.³	Kg
01SUS89F	220	124	aluminium	gloss in standard (!)	1	0,66	109	
				gloss in RAL/NCS (!)				
				matt glass (!)				
			lacquered	gloss in standard (!)				
				gloss in RAL/NCS (!)				
				matt glass (!)				
01SUS91F	240	124	aluminium	gloss in standard (!)	1	0,72	118	
				gloss in RAL/NCS (!)				
				matt glass (!)				
			lacquered	gloss in standard (!)				
				gloss in RAL/NCS (!)				
				matt glass (!)				
01SUS93F	288	124	aluminium	gloss in standard (!)	1	0,85	140	
				gloss in RAL/NCS (!)				
				matt glass (!)				
			lacquered	gloss in standard (!)				
				gloss in RAL/NCS (!)				
				matt glass (!)				

Optionals

Code		Price in EURO	Packs	Vol.³	Kg
02GTA02		legs height cut to size	-	-	-
02RET04		plastic cable mesh	1	0,07	1
02VER01		vertebra, opal white methacrylate	1	0,007	1,5
02CPU04		CPU unit, opal white methacrylate	1	0,14	5,5



Sushi glass

Fixed - Depth 140 cm.

Leg finish:

Anodised aluminium

White lacquered aluminium (similar to RAL 9016)

Black lacquered aluminium (similar to RAL 9004)

Finish of top:

Gloss glass in standard colours: extra white, anthracite, black, titanium

Gloss glass in RAL/NCS range colours on request

Matt glass in colours: extra white, anthracite grey, black, titanium

→ Important: sizes and finishes marked with (!) require longer production lead time, about 6 weeks from the date of the order.


→ Please note: variations in shade against selected RAL/NCS sample cannot be avoided and are caused by colour refracting through the thickness of the glass.
RAL/NCS colours are not available in shades of white.

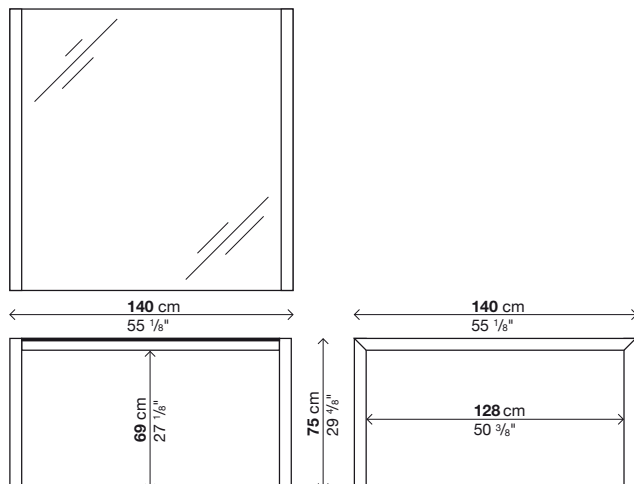
→ Reinforced packaging, see page 205.

Fixed (II)

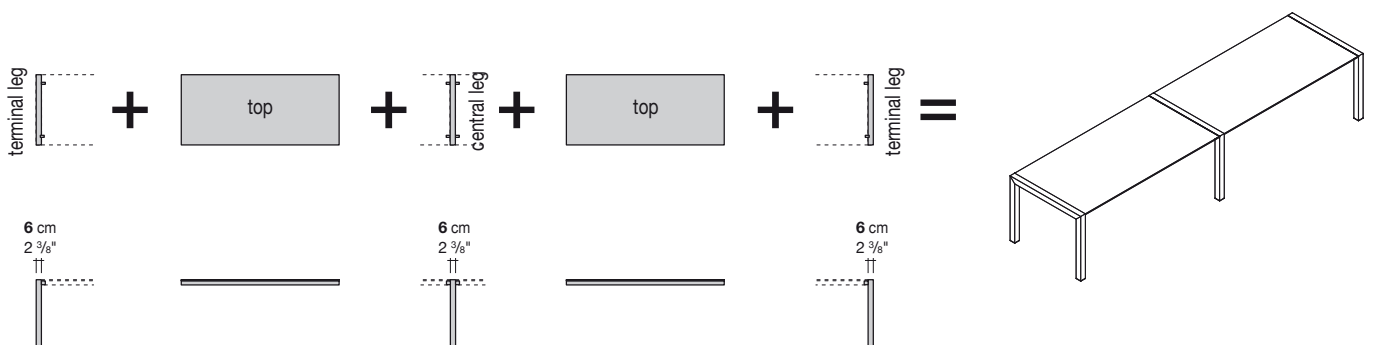
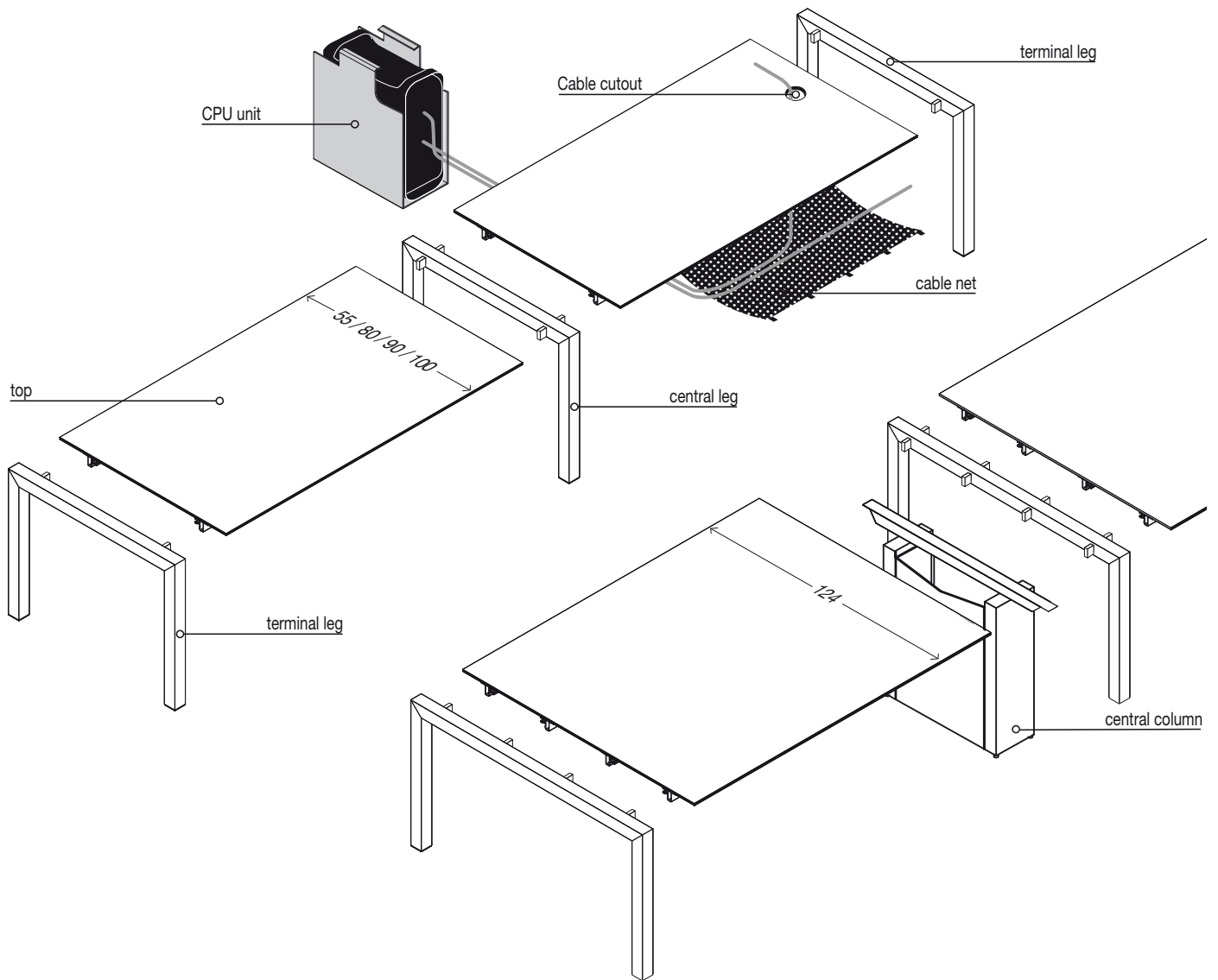
Code	Length (L)	Depth	Legs	Top	Price in EURO	Packs	Vol.³	Kg
01SUS18F	140	140	aluminium	gloss in standard (!)	1	0,52	73	
				gloss in RAL/NCS (!)				
				matt glass (!)				
			lacquered	gloss in standard (!)				
				gloss in RAL/NCS (!)				
				matt glass (!)				

Optionals

Code		Price in EURO	Packs	Vol.³	Kg
02GTA02		legs height cut to size	-	-	-
02VER01		vertebra, opal white methacrylate	1	0,007	1,5



Modular Sushi Assembly diagram



Modular Sushi

Alucompact® top

Finish of top:

White Alucompact® laminate
 Sand grey Alucompact® laminate
 Anthracite grey Alucompact® laminate
 Black Alucompact® laminate

- Tops can be made of different materials on request (for quantity):
 Pure-white laminate, Fenix-NTM®, glass.
- Important: sizes and finishes marked with (!) require longer production lead time, about 6 weeks from the date of the order.
- Tables that extend to more than 250 cm have a top that slightly bends, which complies with accepted quality standards.
- Reinforced packaging, see page 205.

Table, meeting table

Code	W x D	Finish of top	Price in EURO	Packs	Vol.³	Kg
02SUS00	113 x 55	Alucompact laminate (!)		1	0,2	18
02SUS01	135 x 55	Alucompact laminate (!)		1	0,24	24
02SUS02	204 x 55	Alucompact laminate (!)		1	0,33	35
02SUS03	113 x 80	Alucompact laminate		1	0,27	27
02SUS04	138 x 80	Alucompact laminate		1	0,32	32
02SUS15	165 x 80	Alucompact laminate (!)		1	0,37	37
02SUS05	138 x 90	Alucompact laminate		1	0,36	38
02SUS06	165 x 90	Alucompact laminate		1	0,42	42
02SUS64	188 x 90	Alucompact laminate (!)		1	0,46	47
02SUS16	208 x 90	Alucompact laminate (!)		1	0,5	52
02SUS68	228 x 90	Alucompact laminate (!)		1	0,55	56
02SUS70	248 x 90	Alucompact laminate (!)		1	0,59	61
02SUS72	268 x 90	Alucompact laminate (!)		1	0,63	69
02SUS74	288 x 90	Alucompact laminate (!)		1	0,67	75
02SUS07	88 x 100	Alucompact laminate		1	0,27	26
02SUS08	165 x 100	Alucompact laminate		1	0,45	52
02SUS13	188 x 100	Alucompact laminate (!)		1	0,5	51
02SUS09	208 x 100	Alucompact laminate (!)		1	0,55	56
02SUS14	228 x 100	Alucompact laminate (!)		1	0,6	61
02SUS80	248 x 100	Alucompact laminate (!)		1	0,65	68
02SUS82	268 x 100	Alucompact laminate (!)		1	0,69	75
02SUS36	288 x 100	Alucompact laminate (!)		1	0,74	80
02SUS88	208 x 124	Alucompact laminate (!)		1	0,66	75
02SUS90	228 x 124	Alucompact laminate (!)		1	0,72	81
02SUS12	276 x 124	Alucompact laminate (!)		1	0,85	97

Keyboard top

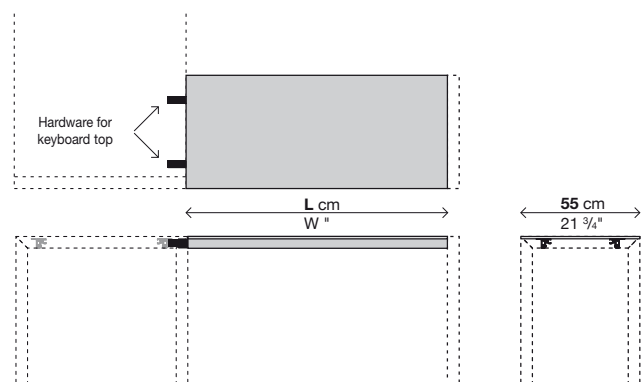
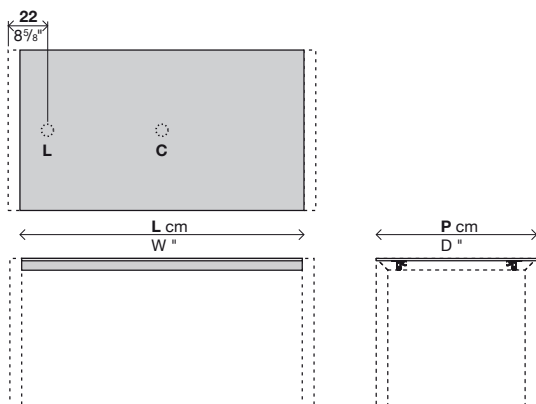
Code	W x D	Finish of top	Price in EURO	Packs	Vol.³	Kg
02SUS00	113 x 55	Alucompact laminate (!)		1	0,2	18
02SUS01	135 x 55	Alucompact laminate (!)		1	0,24	24
02SUS02	204 x 55	Alucompact laminate (!)		1	0,33	35

Hardware for keyboard top

Code	Description	Price in EURO	Packs	Vol.³	Kg
02FER01	Hardware for keyboard top		-	-	1,5

Optionals

Code	Description	Price in EURO	Packs	Vol.³	Kg
02FOR01	Ø6 lateral or central cable hole		-	-	-



Modular Sushi

Terminal leg/Central leg/Central column

Leg finish:

- Anodised aluminium
- White lacquered aluminium (similar to RAL 9016)
- "Alucompact® sand grey" lacquered aluminium (similar to RAL 9002)
- "Alucompact® anthracite grey" lacquered aluminium (similar to RAL 7015)
- Black lacquered aluminium (similar to RAL 9004)

Finish for column:

- Aluminium grey lacquered steel (similar to RAL 7042)
- White lacquered steel (similar to RAL 9016)
- "Alucompact® sand gray" lacquered steel (similar to RAL 9002)
- "Alucompact® anthracite grey" lacquered steel (similar to RAL 7015)
- Black lacquered steel (similar to RAL 9004)

Terminal leg

Code	Depth	Finish for legs	Price in EURO	Packs	Vol.³	Kg
02CAV01	55	anodised aluminium		1	0,22	10
		aluminium with lacquer				
02CAV02	80	anodised aluminium		1	0,22	10,2
		aluminium with lacquer				
02CAV03	90	anodised aluminium		1	0,22	10,3
		aluminium with lacquer				
02CAV04	100	anodised aluminium		1	0,22	10,5
		aluminium with lacquer				
02CAV01A	124	anodised aluminium		1	0,26	11
		aluminium with lacquer				

Optionals

Code	Description	Price in EURO	Packs	Vol.³	Kg
02GTA01	✂ customised reduction to leg	-	-	-	-
02CRU01	pair of castors with brake	-	-	-	1

Central leg

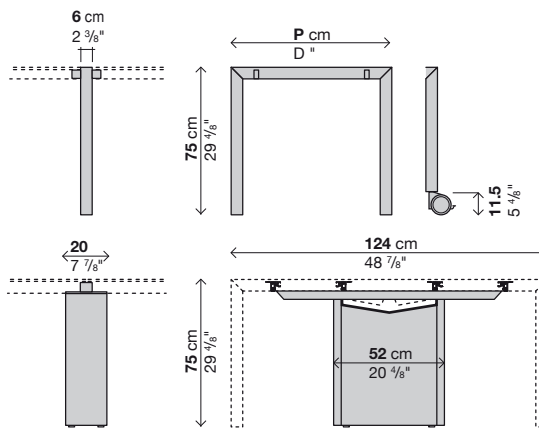
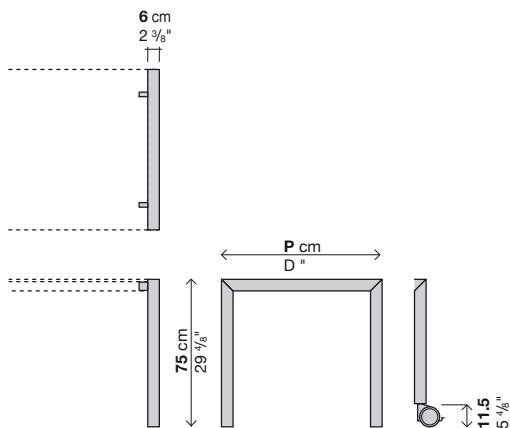
Code	Depth	Finish for legs	Price in EURO	Packs	Vol.³	Kg
02CAV12	80	anodised aluminium		1	0,22	10,5
		aluminium with lacquer				
02CAV13	90	anodised aluminium		1	0,22	10,6
		aluminium with lacquer				
02CAV14	100	anodised aluminium		1	0,22	10,7
		aluminium with lacquer				
02CAV11A	124	anodised aluminium		1	0,26	12
		aluminium with lacquer				

Optionals

Code	Description	Price in EURO	Packs	Vol.³	Kg
02GTA01	✂ customised reduction to leg	-	-	-	-
02CRU01	pair of castors with brake	-	-	-	1

Central column

Code	Depth	Finish	Price in EURO	Packs	m³	Kg
02TOR01	124	lacquered steel		1	0,14	19,5



Modular Sushi

CPU unit/Cable net/Vertebra

Finish for CPU holder:

Opal methacrylate

Finish for cable mesh:

Fire-retardant plastic

Finish for vertebra:

Opal methacrylate

CPU unit

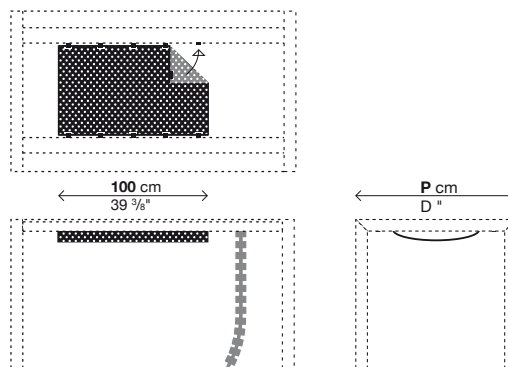
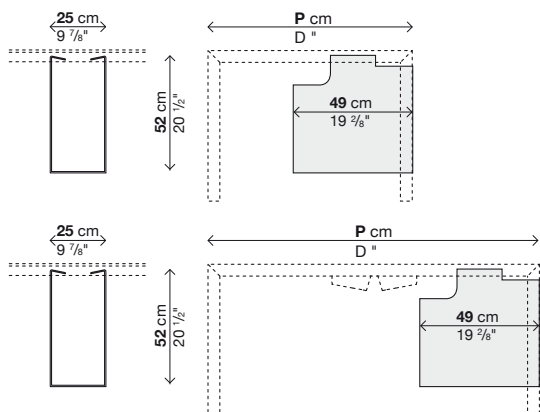
Code	D	Finish	Price in EURO	Packs	Vol.³	Kg
02CPU01	80	opal methacrylate		1	0,14	5,5
02CPU02	90	opal methacrylate		1	0,14	5,5
02CPU03	100	opal methacrylate		1	0,14	5,5
02CPU04	124	opal methacrylate		1	0,14	5,5
02CPU05	160	opal methacrylate		1	0,14	5,5

Cable net

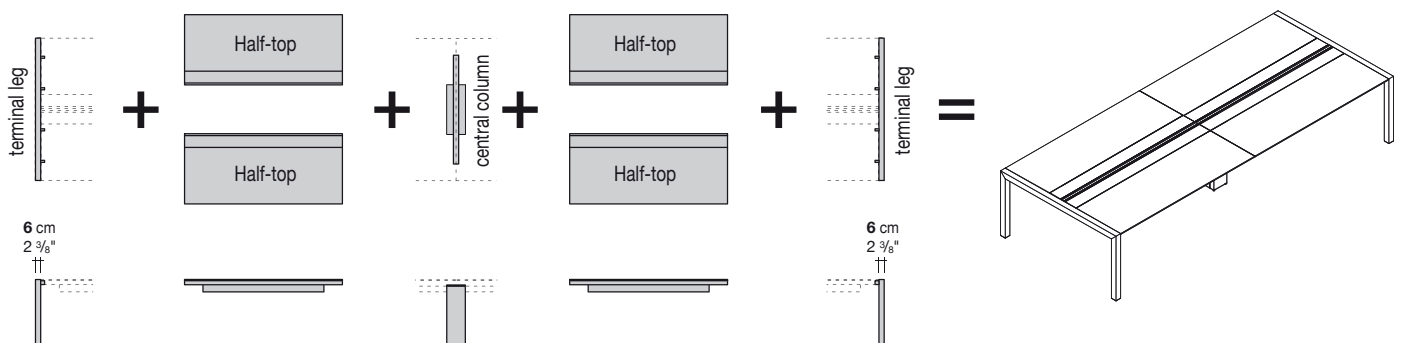
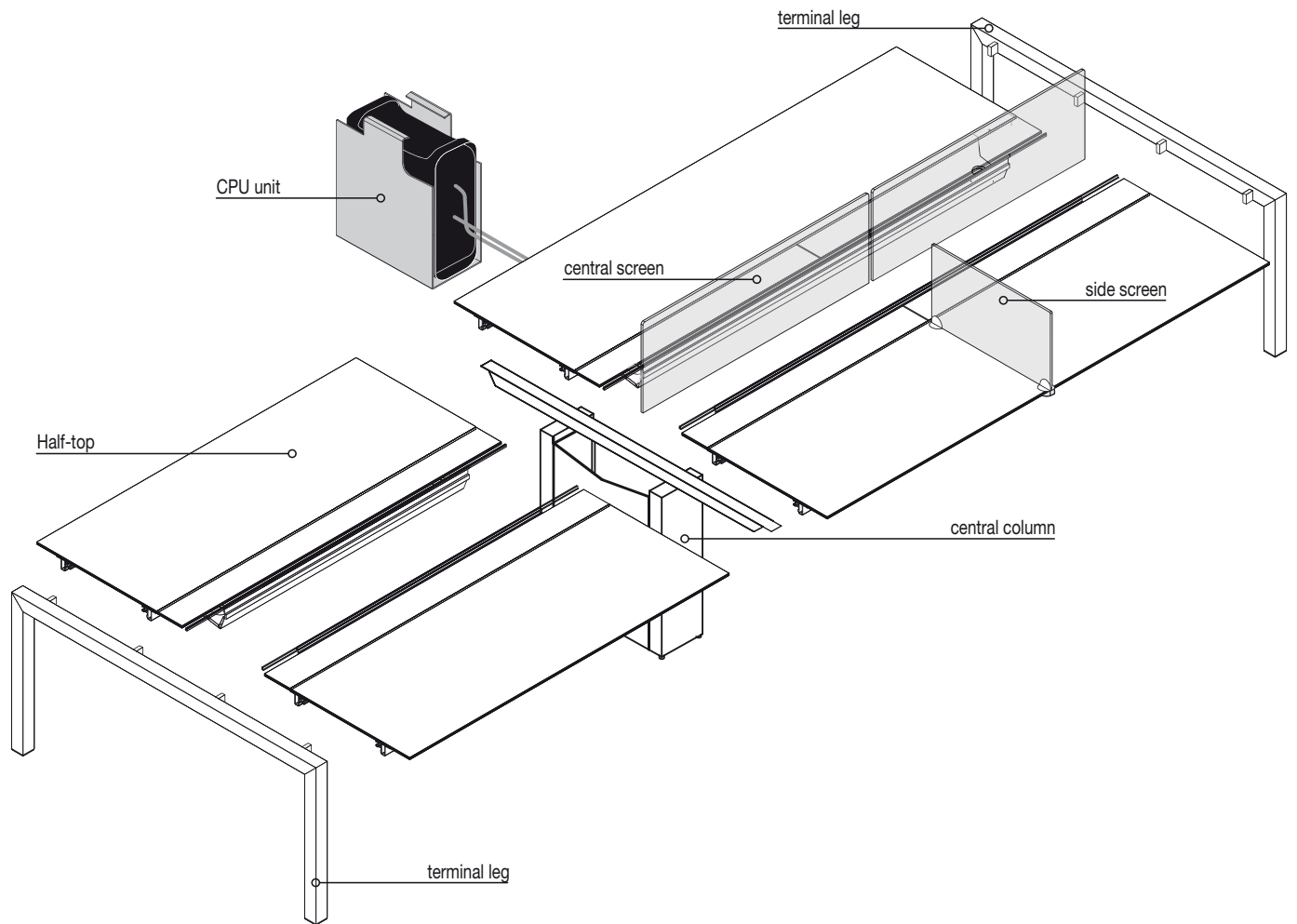
Code	D	Finish	Price in EURO	Packs	Vol.³	Kg
02RET01	80	fire-retardant plastic		1	0,07	1
02RET02	90	fire-retardant plastic		1	0,07	1
02RET03	100	fire-retardant plastic		1	0,07	1
02RET04	124	fire-retardant plastic		1	0,07	1

Vertebra

Code	Finish	Price in EURO	Packs	Vol.³	Kg
02VER01	opal methacrylate		1	0,007	1,5



Modular Sushi Workstation Assembly diagram



Modular Sushi Workstation

Alucompact® half-top

Finish for top/closing flap:

White Alucompact® laminate
 Sand grey Alucompact® laminate
 Anthracite grey Alucompact® laminate
 Black Alucompact® laminate

→ Tops can be made of different materials on request (for quantity):
 Pure-white laminate, Fenix-NTM®, glass.

→ Important: sizes and finishes marked with (!) require longer production lead time, about 6 weeks from the date of the order.

→ Tables that extend to more than 250 cm have a top that slightly bends, which complies with accepted quality standards.

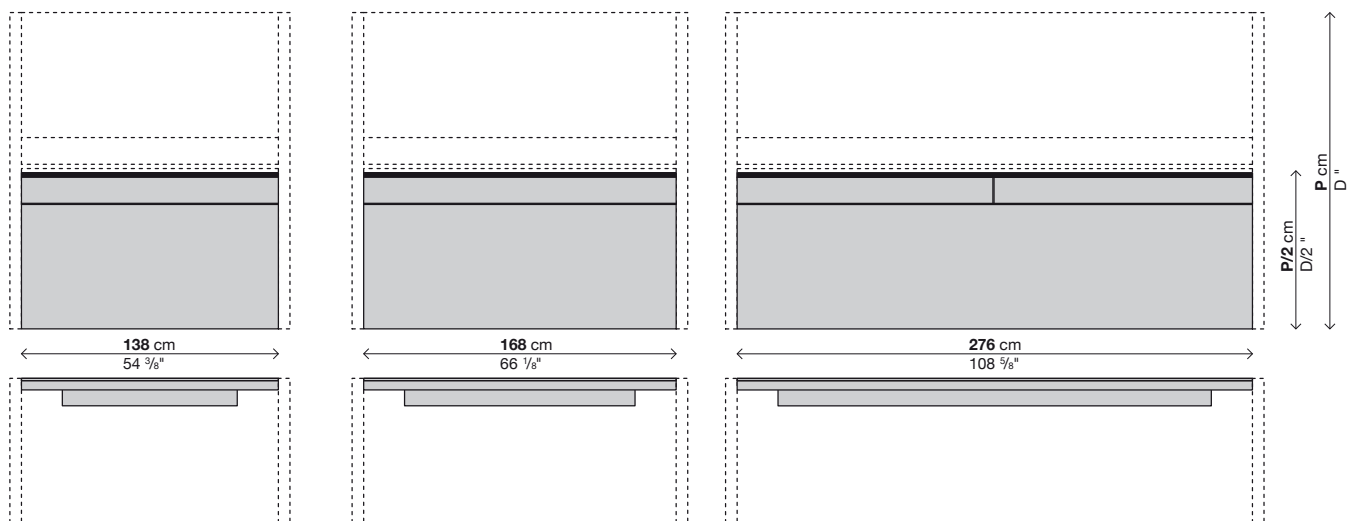
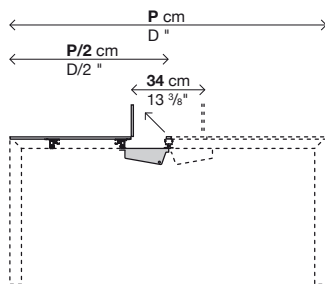
→ Reinforced packaging, see page 205.

Workstation D.124 cm

Code	W x D/2	Finish of top	Price in EURO	Packs	Vol.³	Kg
02WSU01A	138 x 62	Alucompact laminate (!)		1	0,21	31
02WSU02A	168 x 62	Alucompact laminate (!)		1	0,26	38
02WSU03A	276 x 62	Alucompact laminate (!)		1	0,41	61

Workstation D.160 cm

Code	W x D/2	Finish of top	Price in EURO	Packs	Vol.³	Kg
02WSU04A	138 x 80	Alucompact laminate (!)		1	0,27	36
02WSU05A	168 x 80	Alucompact laminate (!)		1	0,32	44
02WSU06A	276 x 80	Alucompact laminate (!)		1	0,52	69



Modular Sushi Workstation

Terminal leg/Central column

Leg finish:

Anodised aluminium

White lacquered aluminium (similar to RAL 9016)

“Alucompact® sand grey” lacquered aluminium (similar to RAL 9002)

“Alucompact® anthracite grey” lacquered aluminium (similar to RAL 7015)

Black lacquered aluminium (similar to RAL 9004)

Finish for column:

Aluminium grey lacquered steel (similar to RAL 7042)

White lacquered steel (similar to RAL 9016)

“Alucompact® sand gray” lacquered steel (similar to RAL 9002)


“Alucompact® anthracite grey” lacquered steel (similar to RAL 7015)

Black lacquered steel (similar to RAL 9004)

Terminal leg

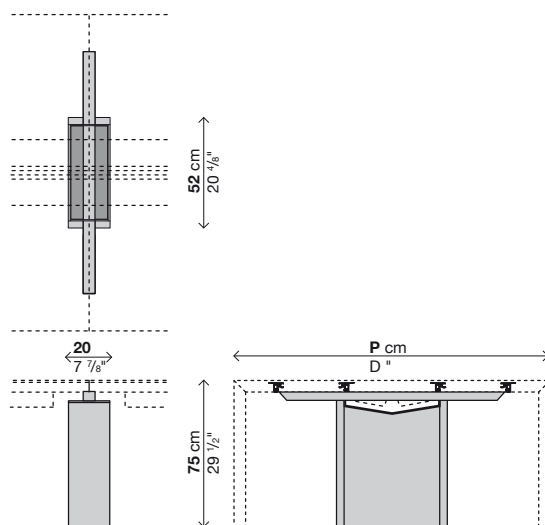
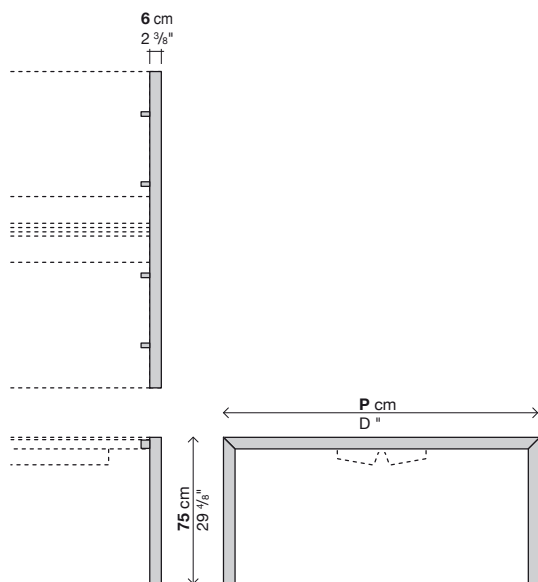
Code	Depth	Finish for legs	Price in EURO	Packs	Vol.³	Kg
02CAV01A	124	anodised aluminium		1	0,26	11
		aluminium with lacquer				
02CAV04A	160	anodised aluminium		1	0,32	13,5
		aluminium with lacquer				

Optionals

Code	Description	Price in EURO	Packs	Vol.³	Kg
02GTA01	 customised reduction to leg	-	-	-	-

Central column

Code	Depth	Finish	Price in EURO	Packs	Vol.³	Kg
02TOR01	124	lacquered steel		1	0,14	19,5
02TOR02	160	lacquered steel		1	0,14	20,5



Modular Sushi Workstation

Central screen/Side screen

Finish:

Opal methacrylate

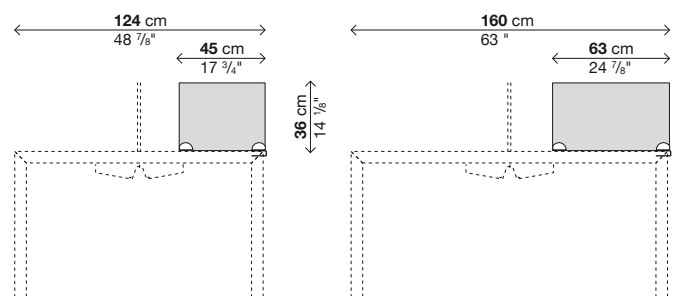
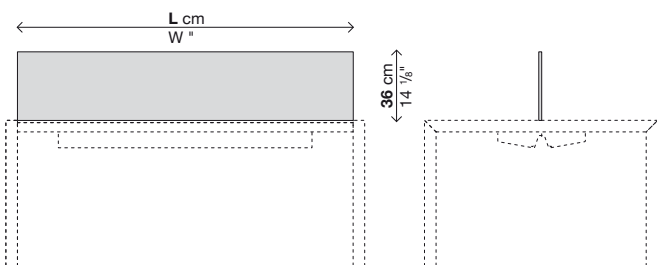
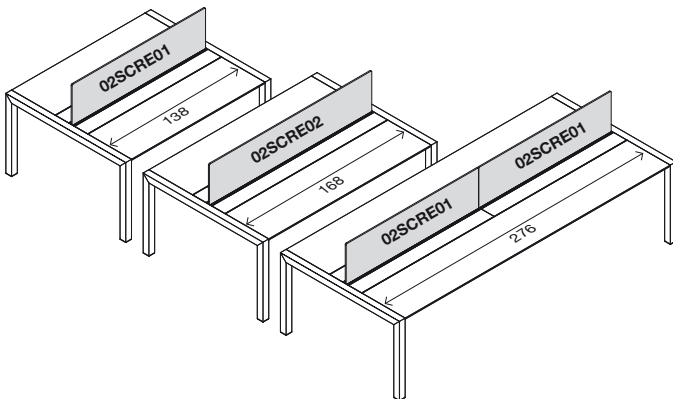
→ Screen can be upholstered in Divina MD / Divina Melange 2 (Kvadrat®) fabric on request (for quantity).

Central screen

Code	W x D	Finish	Price in EURO	Packs	Vol.³	Kg
02SCRE01	138 x 36	opal methacrylate		1	0,04	5
02SCRE02	168 x 36	opal methacrylate		1	0,05	8

Side screen

Code	W x D/2	Finish	Metal finish	Price in EURO	Packs	Vol.³	Kg
02SCRE03	45 x 36	opal methacrylate	grey lacquered		1	0,012	2
			white lacquered				
			black lacquered				
02SCRE04	63 x 36	opal methacrylate	grey lacquered		1	0,017	3
			white lacquered				
			black lacquered				



Modular Sushi Workstation

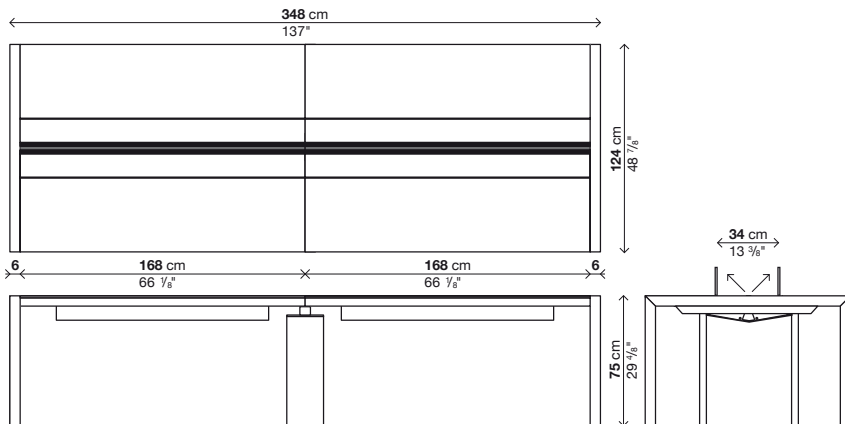
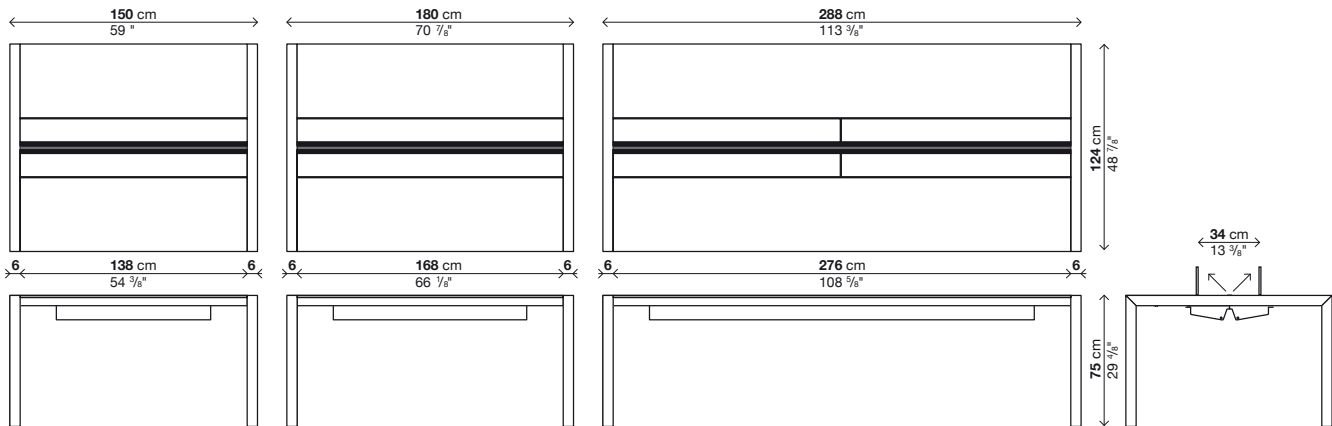
Compositions Depth 124 cm.

→ Important: sizes and finishes marked with (!) require longer production lead time, about 6 weeks from the date of the order.

→ Tables that extend to more than 250 cm have a top that slightly bends, which complies with accepted quality standards.

→ Reinforced packaging, see page 205.

W x D	Codes	Finish for legs	Finish for column	Finish of the top	Price in EURO	Packs	Vol. ³	Kg
150 x 124 (!)	02WSU01A (x2) + 02CAV01A (x2)	anodised aluminium		Alucompact laminate		4	0,94	86
180 x 124 (!)	02WSU02A (x2) + 02CAV01A (x2)	anodised aluminium		Alucompact laminate		4	1,04	100
288 x 124 (!)	02WSU03A (x2) + 02CAV01A (x2)	anodised aluminium		Alucompact laminate		4	1,35	146
348 x 124 (!)	02WSU02A (x4) + 02CAV01A (x2) + 02TOR01	anodised aluminium	lacquered steel	Alucompact laminate		7	1,7	197



Modular Sushi Workstation

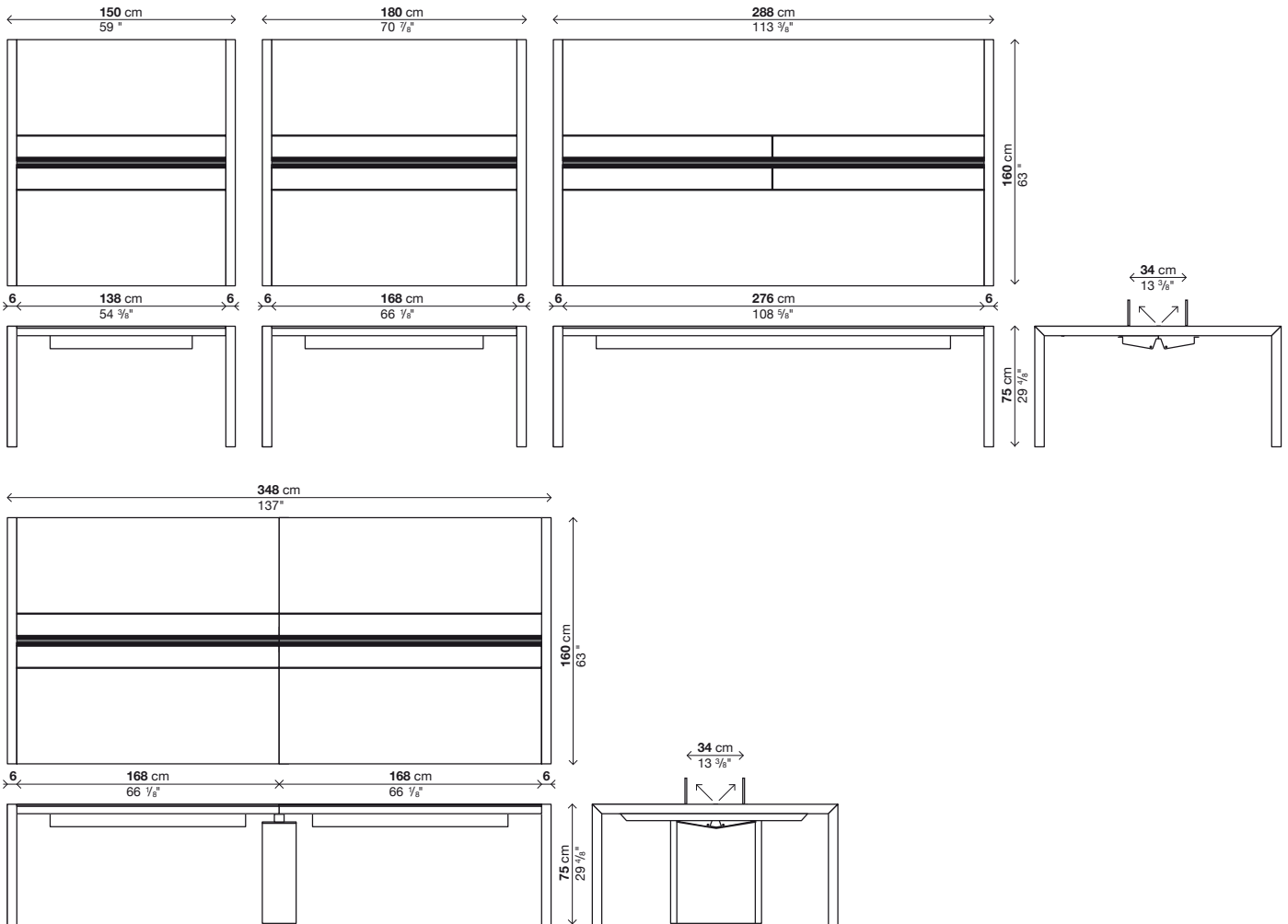
Compositions Depth 160 cm.

→ Important: sizes and finishes marked with (!) require longer production lead time, about 6 weeks from the date of the order.

→ Tables that extend to more than 250 cm have a top that slightly bends, which complies with accepted quality standards.

→ Reinforced packaging, see page 205.

W x D	Codes	Finish for legs	Finish for column	Finish of the top	Price in EURO	Packs	Vol. ³	Kg
150 x 160 (!)	02WSU04A (x2) + 02CAV04A (x2)	anodised aluminium		Alucompact laminate		4	1,18	100
180 x 160 (!)	02WSU05A (x2) + 02CAV04A (x2)	anodised aluminium		Alucompact laminate		4	1,28	115
288 x 160 (!)	02WSU06A (x2) + 02CAV04A (x2)	anodised aluminium		Alucompact laminate		4	1,7	165
348 x 160 (!)	02WSU05A (x4) + 02CAV04A (x2) + 02TOR02	anodised aluminium	lacquered steel	Alucompact laminate		7	2,06	224



Sushi

Legenda dimensioni

Prof. 80 cm
Depth 314/8"

80 80 cm 314/8"	→ Alucompact® → Pure-white → Vetro
125 cm 492/8"	→ Alucompact® → Pure-white → Vetro
125/165/205 cm 492/8/65/803/4"	→ Alucompact® → Pure-white → Vetro
150 cm 59"	→ Alucompact® → Pure-white → Vetro
150/190/230 cm 59/747/8/904/8" *	→ Alucompact® → Pure-white → Vetro
177 cm 693/4"	→ Alucompact® → Pure-white → Vetro
177/217/257 cm 693/4/854/8/1012/8" *	→ Alucompact® → Pure-white → Vetro
200 cm 783/4"	→ Alucompact® → Pure-white → Vetro
220 cm 865/8"	→ Alucompact® → Pure-white → Vetro
240 cm 944/8"	→ Alucompact® → Pure-white → Vetro
260 cm 1023/8"	→ Alucompact® → Pure-white → Vetro
280 cm 1102/8"	→ Alucompact® → Pure-white → Vetro
300 cm 1181/8"	→ Alucompact® → Pure-white → Vetro

Prof. 90 cm
Depth 353/8"

90 90 cm 353/8"	→ Alucompact® → Pure-white → Vetro
125 cm 492/8"	→ Alucompact® → Pure-white → Vetro
150 cm 59"	→ Alucompact® → Pure-white → Fenix-NTM® → Vetro → DEKTON®
150/187/224 cm 59/735/8/882/8" *	→ Alucompact® → Pure-white → Fenix-NTM® → Vetro
150/187/224 cm 59/735/8/882/8"	→ DEKTON®
177 cm 693/4"	→ Alucompact® → Pure-white → Fenix-NTM® → Vetro → DEKTON®
177/214/251/288 cm 693/4/842/8/987/8/1133/8"	→ Alucompact® → Pure-white → Fenix-NTM® → Vetro
177/214/251 cm 693/4/842/8/987/8"	→ DEKTON®
200 cm 783/4"	→ Alucompact® → Pure-white → Fenix-NTM® → Vetro → DEKTON®
200/237/274 cm 783/4/931/4/1077/8" *	→ Alucompact® → Pure-white → Fenix-NTM® → Vetro
200/237/274 cm 783/4/931/4/1077/8"	→ DEKTON®
220 cm 865/8"	→ Alucompact® → Pure-white → Fenix-NTM® → Vetro
220/257/294 cm 865/8/1012/8/1161/8" *	→ Alucompact® → Pure-white → Fenix-NTM® → Vetro
240 cm 944/8"	→ Alucompact® → Pure-white → Vetro
260 cm 1023/8"	→ Alucompact® → Pure-white → Vetro
280 cm 1102/8"	→ Alucompact® → Pure-white → Vetro
300 cm 1181/8"	→ Alucompact® → Pure-white → Vetro

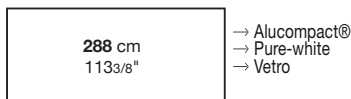
Prof. 100 cm
Depth 393/8"

100 100 cm 393/8"	→ Alucompact® → Pure-white → Vetro
100/170 cm 393/8/67"	→ Alucompact® → Pure-white → Vetro
150 cm 59"	→ Alucompact® → Pure-white → Vetro
177 cm 693/4"	→ Alucompact® → Pure-white → Fenix-NTM® → Vetro → DEKTON®
177/224/271 cm 693/4/885/8/1063/4" *	→ Alucompact® → Pure-white → Fenix-NTM® → Vetro
177/214/251 cm 693/4/842/8/987/8"	→ DEKTON®
200 cm 783/4"	→ Alucompact® → Pure-white → Fenix-NTM® → Vetro → DEKTON®
200/247/294 cm 783/4/972/8/1153/4" *	→ Alucompact® → Pure-white → Fenix-NTM® → Vetro
200/237/274 cm 783/4/931/4/1077/8"	→ DEKTON®
220 cm 865/8"	→ Alucompact® → Pure-white → Fenix-NTM® → Vetro
220/267/314 cm 865/8/1051/8/1233/4" *	→ Alucompact® → Pure-white → Fenix-NTM® → Vetro
240 cm 944/8"	→ Alucompact® → Pure-white → Vetro → DEKTON®
260 cm 1023/8"	→ Alucompact® → Pure-white → Vetro
280 cm 1102/8"	→ Alucompact® → Pure-white → Vetro → DEKTON®
300 cm 1181/8"	→ Alucompact® → Pure-white → Vetro

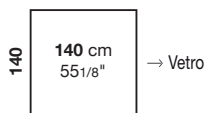
* = 3ª prolunga aggiuntiva (a richiesta)

Piani

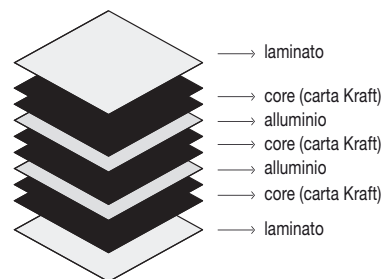
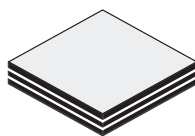
Prof. 124 cm
Depth 487/8"



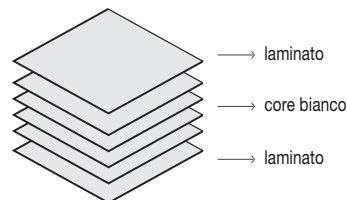
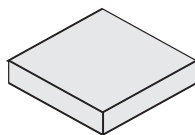
Prof. 140 cm
Depth 55 1/8"



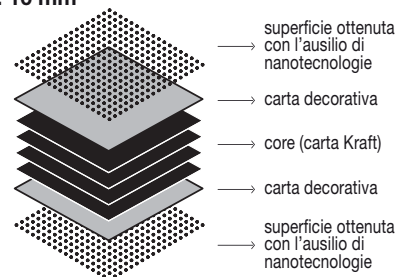
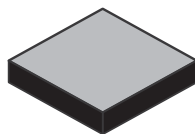
Alucompact® Sp. 10 mm



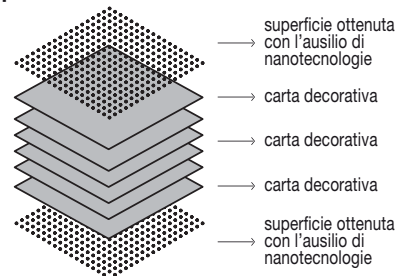
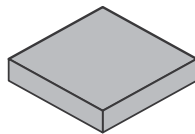
Pure-white Sp. 10 mm



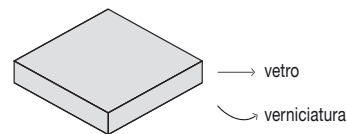
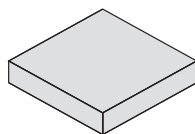
Fenix-NTM® bordo nero Sp. 10 mm



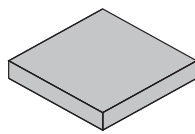
Fenix-NTM® bordo colore Sp. 10 mm



Vetro Sp. 10 mm



DEKTON® by Cosentino Sp. 8 mm



Dekton è una sofisticata miscela di materie prime utilizzate per la creazione di vetro, ceramica di ultima generazione e superfici in quarzo di altissima qualità

Sushi Alucompact® / Pure-white

Allungabile - Prof. 80 cm.

Finitura gambe:

Alluminio anodizzato

Alluminio verniciato bianco (simile al Ral 9016)

Alluminio verniciato "Alucompact® grigio sabbia" (simile al Ral 9002)

Alluminio verniciato "Alucompact® grigio antracite" (simile al Ral 7015)

Alluminio verniciato nero (simile al Ral 9004)

Finitura piano/prolunghe:

Laminato Alucompact® (bianco, grigio sabbia, grigio antracite, nero)

Laminato Pure-white bianco

→ Nei tavoli con i codici contrassegnati con l'asterisco (*) c'è la possibilità di aggiungere la terza prolunga per aumentare ulteriormente l'allungo.

→ Attenzione: le misure o le finiture contrassegnate con (!) hanno tempi di produzione più lunghi, circa 6 settimane dalla data dell'ordine.

→ I tavoli che in estensione superano i 250 cm presentano una leggera flessione del piano, che rientra negli standard di qualità accettati.

→ Imballi rinforzati vedi pag. 205.

Allungabile (►)

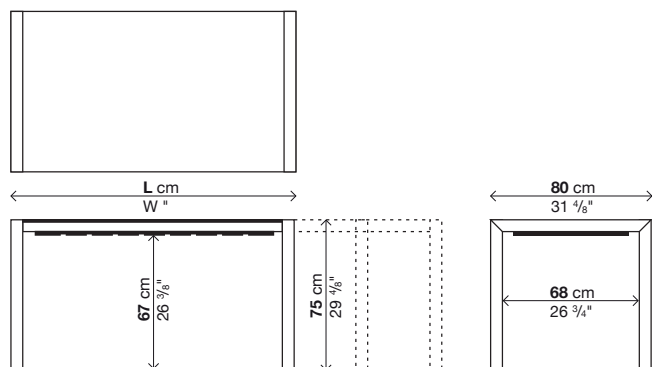
Codice	Lunghezza (L)	Prof.	Gambe	Piano	Prezzi EURO	colli	m ³	Kg
01SUS01	125-165-205	80	alluminio	Alucompact	3	0,32	55	
				Pure-white (!)				
			verniciato	Alucompact				
				Pure-white (!)				
01SUS03*	150-190-230	80	alluminio	Alucompact	3	0,37	61	
				Pure-white (!)				
			verniciato	Alucompact				
				Pure-white (!)				
01SUS08*	177-217-257	80	alluminio	Alucompact	3	0,42	67	
				Pure-white (!)				
			verniciato	Alucompact				
				Pure-white (!)				

(*) 3^a prolunga aggiuntiva

Codice	Lunghezza (L)	Prolunga	Prezzi EURO	colli	m ³	Kg
50SUS05A	33	Alucompact Pure-white		1	0,025	6

Optionals

Codice			Prezzi EURO	colli	m ³	Kg
02GTA02		taglio gambe a misura		-	-	-



Sushi Alucompact® / Pure-white

Fisso - Prof. 80 cm.

Finitura gambe:

Alluminio anodizzato

Alluminio verniciato bianco (simile al Ral 9016)

Alluminio verniciato "Alucompact® grigio sabbia" (simile al Ral 9002)

Alluminio verniciato "Alucompact® grigio antracite" (simile al Ral 7015)

Alluminio verniciato nero (simile al Ral 9004)

Finitura piano:

Laminato Alucompact® (bianco, grigio sabbia, grigio antracite, nero)

Laminato Pure-white bianco

→ *Attenzione: le misure o le finiture contrassegnate con (!) hanno tempi di produzione più lunghi, circa 6 settimane dalla data dell'ordine.*

→ *I tavoli che in estensione superano i 250 cm presentano una leggera flessione del piano, che rientra negli standard di qualità accettati.*

→ *Imballi rinforzati vedi pag. 205.*


Fisso (II)

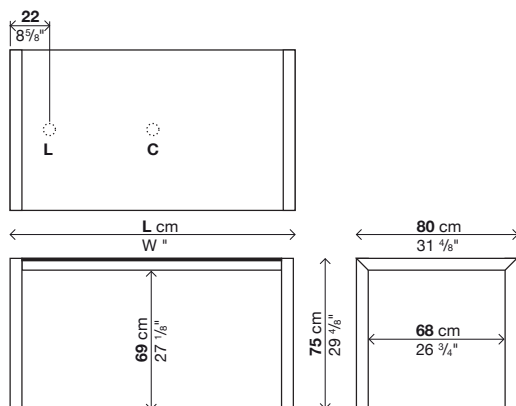
Codice	Lunghezza (L)	Prof.	Gambe	Piano	Prezzi EURO	colli	m ³	Kg
01SUS10F	80	80	alluminio	Alucompact	1	0,18	26	
				Pure-white (!)				
			verniciato	Alucompact				
				Pure-white (!)				
01SUS01F	125	80	alluminio	Alucompact	1	0,27	35	
				Pure-white (!)				
			verniciato	Alucompact				
				Pure-white (!)				
01SUS03F	150	80	alluminio	Alucompact	1	0,32	41	
				Pure-white (!)				
			verniciato	Alucompact				
				Pure-white (!)				
01SUS32F	177	80	alluminio	Alucompact (!)	1	0,37	47	
				Pure-white (!)				
			verniciato	Alucompact (!)				
				Pure-white (!)				
01SUS34F	200	80	alluminio	Alucompact	1	0,41	52	
				Pure-white (!)				
			verniciato	Alucompact				
				Pure-white (!)				

Fisso (II)

Codice	Lunghezza (L)	Prof.	Gambe	Piano	Prezzi EURO	colli	m ³	Kg
01SUS38F	220	80	alluminio	Alucompact (!)	1	0,45	56	
				Pure-white (!)				
			verniciato	Alucompact (!)				
				Pure-white (!)				
01SUS43F	240	80	alluminio	Alucompact (!)	1	0,49	60	
				Pure-white (!)				
			verniciato	Alucompact (!)				
				Pure-white (!)				
01SUS48F	260	80	alluminio	Alucompact (!)	1	0,53	65	
				Pure-white (!)				
			verniciato	Alucompact (!)				
				Pure-white (!)				
01SUS51F	280	80	alluminio	Alucompact (!)	1	0,57	68	
				Pure-white (!)				
			verniciato	Alucompact (!)				
				Pure-white (!)				
01SUS55F	300	80	alluminio	Alucompact (!)	1	0,61	72	
				Pure-white (!)				
			verniciato	Alucompact (!)				
				Pure-white (!)				

Optionals

Codice			Prezzi EURO	colli	m ³	Kg
02GTA02		taglio gambe a misura	-	-	-	-
02FOR01	Ø6	foro passacavi laterale o centrale	-	-	-	-
02RET01		rete cablaggio, materiale plastico	1	0,07	1	
02VER01		vertebra, metacrilato opalino	1	0,007	1,5	
02CPU01		porta CPU, metacrilato opalino	1	0,14	5,5	



Sushi Alucompact® / Pure-white / Fenix-NTM®

Allungabile - Prof. 90 cm.

Finitura gambe:

Alluminio anodizzato

Alluminio verniciato bianco (simile al Ral 9016)

Alluminio verniciato "Alucompact® grigio sabbia" (simile al Ral 9002)

Alluminio verniciato "Alucompact® grigio antracite" (simile al Ral 7015)

Alluminio verniciato "Fenix-NTM® grigio Londra" (simile al Ral Design0805005)

Alluminio verniciato "Fenix-NTM® grigio Bromo" (simile al Ral 7012)

Alluminio verniciato nero (simile al Ral 9004)

Finitura piano/prolunghe:

Laminato Alucompact® (bianco, grigio sabbia, grigio antracite, nero)

Laminato Pure-white bianco

Fenix-NTM® bordo nero (bianco Kos 0032, grigio Londra 0718, grigio Bromo 0724, nero Ingo 0720)

Fenix-NTM® bordo colore (bianco Kos 0032, grigio Londra 0718)

→ Nei tavoli con i codici contrassegnati con l'asterisco (*) c'è la possibilità di aggiungere la terza prolunga per aumentare ulteriormente l'allungo.

→ Attenzione: le misure o le finiture contrassegnate con (!) hanno tempi di produzione più lunghi, circa 6 settimane dalla data dell'ordine.

→ I tavoli che in estensione superano i 250 cm presentano una leggera flessione del piano, che rientra negli standard di qualità accettati.

→ Imballi rinforzati vedi pag. 205.


Allungabile (►)

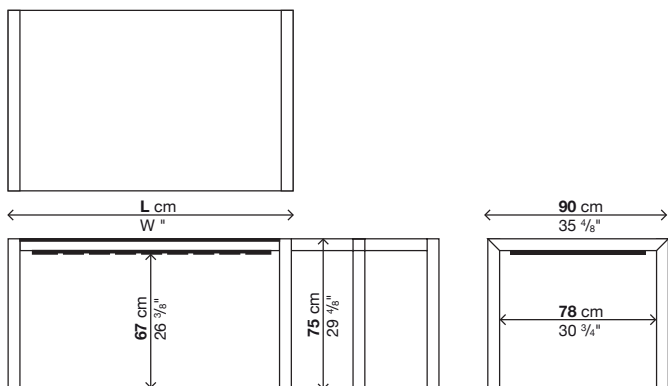
Codice	Lunghezza (L)	Prof.	Gambe	Piano	Prezzi EURO	colli	m ²	Kg
01SUS07*	150-187-224	90	alluminio	Alucompact	3	0,41	71	
				Pure-white				
				Fenix bordo nero				
			verniciato	Fenix bordo colore				
				Alucompact				
				Pure-white				
01SUS06	177-214-251-288 3ª prolunga di serie	90	alluminio	Alucompact	4	0,5	81	
				Pure-white				
				Fenix bordo nero				
			verniciato	Fenix bordo colore				
				Alucompact				
				Pure-white				
01SUS09*	200-237-274	90	alluminio	Alucompact	3	0,51	82	
				Pure-white				
				Fenix bordo nero				
			verniciato	Fenix bordo colore				
				Alucompact				
				Pure-white				
01SUS35*	220-257-294	90	alluminio	Alucompact (!)	3	0,55	88	
				Pure-white (!)				
				Fenix bordo nero (!)				
			verniciato	Fenix bordo colore (!)				
				Alucompact (!)				
				Pure-white (!)				

(*) 3ª prolunga aggiuntiva

Codice	Lunghezza (L)	Prolunga	Prezzi EURO	colli	m ²	Kg
50SUS02A	37,5	Alucompact	1	0,025	6,5	
		Pure-white				
		Fenix bordo nero				
		Fenix bordo colore				

Optionals

Codice			Prezzi EURO	colli	m ²	Kg
02GTA02		taglio gambe a misura	-	-	-	-



Sushi Alucompact® / Pure-white / Fenix-NTM®

Fisso - Prof. 90 cm.

Finitura gambe:

Alluminio anodizzato

Alluminio verniciato bianco (simile al Ral 9016)

Alluminio verniciato "Alucompact® grigio sabbia" (simile al Ral 9002)

Alluminio verniciato "Alucompact® grigio antracite" (simile al Ral 7015)

Alluminio verniciato "Fenix-NTM® grigio Londra" (simile al Ral Design0805005)

Alluminio verniciato "Fenix-NTM® grigio Bromo" (simile al Ral 7012)

Alluminio verniciato nero (simile al Ral 9004)

Finitura piano:

Laminato Alucompact® (bianco, grigio sabbia, grigio antracite, nero)

Laminato Pure-white bianco

Fenix-NTM® bordo nero (bianco Kos 0032, grigio Londra 0718, grigio Bromo 0724, nero Ingo 0720)

Fenix-NTM® bordo colore (bianco Kos 0032, grigio Londra 0718)

→ *Attenzione: le misure o le finiture contrassegnate con (!) hanno tempi di produzione più lunghi, circa 6 settimane dalla data dell'ordine.*

→ *I tavoli che in estensione superano i 250 cm presentano una leggera flessione del piano, che rientra negli standard di qualità accettati.*

→ *I tavoli lunghezza 280 e 300 cm presentano una trafilata sottopiano di supporto centrale, pertanto eventuali fori passacavi non potranno essere posizionati centrati nella profondità ma lievemente spostati.*

→ *Imballi rinforzati vedi pag. 205.*


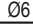
Fisso (II)

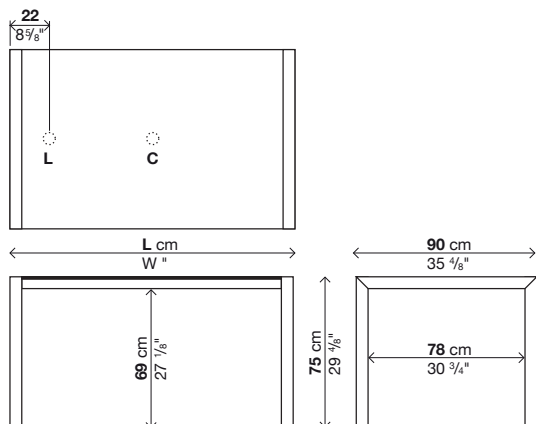
Codice	Lunghezza (L)	Prof.	Gambe	Piano	Prezzi EURO	colli	m ²	Kg
01SUS57F	90	90	alluminio	Alucompact	1	0,23	30	
				Pure-white				
			verniciato	Alucompact				
				Pure-white				
01SUS59F	125	90	alluminio	Alucompact	1	0,3	41	
				Pure-white				
			verniciato	Alucompact				
				Pure-white				
01SUS07F	150	90	alluminio	Alucompact	1	0,36	46	
				Pure-white				
				Fenix bordo nero				
				Fenix bordo colore				
			verniciato	Alucompact				
				Pure-white				
				Fenix bordo nero				
				Fenix bordo colore				
01SUS06F	177	90	alluminio	Alucompact	1	0,42	52	
				Pure-white				
				Fenix bordo nero				
				Fenix bordo colore				
			verniciato	Alucompact				
				Pure-white				
				Fenix bordo nero				
				Fenix bordo colore				
01SUS64F	200	90	alluminio	Alucompact	1	0,46	57	
				Pure-white				
				Fenix bordo nero				
				Fenix bordo colore				
			verniciato	Alucompact				
				Pure-white				
				Fenix bordo nero				
				Fenix bordo colore				

Fisso (II)

Codice	Lunghezza (L)	Prof.	Gambe	Piano	Prezzi EURO	colli	m ²	Kg
01SUS35F	220	90	alluminio	Alucompact (!)	1	0,5	62	
				Pure-white (!)				
				Fenix bordo nero (!)				
			verniciato	Fenix bordo colore (!)				
				Alucompact (!)				
				Pure-white (!)				
01SUS68F	240	90	alluminio	Alucompact (!)	1	0,55	66	
				Pure-white (!)				
			verniciato	Alucompact (!)				
				Pure-white (!)				
01SUS70F	260	90	alluminio	Alucompact (!)	1	0,59	71	
				Pure-white (!)				
			verniciato	Alucompact (!)				
				Pure-white (!)				
01SUS72F	280	90	alluminio	Alucompact (!)	1	0,63	79	
				Pure-white (!)				
			verniciato	Alucompact (!)				
				Pure-white (!)				
01SUS74F	300	90	alluminio	Alucompact (!)	1	0,67	85	
				Pure-white (!)				
			verniciato	Alucompact (!)				
				Pure-white (!)				

Optionals

Codice			Prezzi EURO	colli	m ²	Kg
02GTA02		taglio gambe a misura	-	-	-	-
02FOR01		foro passacavi laterale o centrale	-	-	-	-
02RET02		rete cablaggio, materiale plastico	1	0,07	1	
02VER01		vertebra, metacrilato opalino	1	0,007	1,5	
02CPU02		porta CPU, metacrilato opalino	1	0,14	5,5	



Sushi Alucompact® / Pure-white / Fenix-NTM®

Allungabile - Prof. 100 cm.

Finitura gambe:

Alluminio anodizzato

Alluminio verniciato bianco (simile al Ral 9016)

Alluminio verniciato "Alucompact® grigio sabbia" (simile al Ral 9002)

Alluminio verniciato "Alucompact® grigio antracite" (simile al Ral 7015)

Alluminio verniciato "Fenix-NTM® grigio Londra" (simile al Ral Design0805005)

Alluminio verniciato "Fenix-NTM® grigio Bromo" (simile al Ral 7012)

Alluminio verniciato nero (simile al Ral 9004)

Finitura piano/prolunghe:

Laminato Alucompact® (bianco, grigio sabbia, grigio antracite, nero)

Laminato Pure-white bianco

Fenix-NTM® bordo nero (bianco Kos 0032, grigio Londra 0718, grigio Bromo 0724, nero Ingo 0720)

Fenix-NTM® bordo colore (bianco Kos 0032, grigio Londra 0718)

→ Nei tavoli con i codici contrassegnati con l'asterisco (*) c'è la possibilità di aggiungere la terza prolunga per aumentare ulteriormente l'allungo.

→ I tavoli che in estensione superano i 250 cm presentano una leggera flessione del piano, che rientra negli standard di qualità accettati.

→ Imballi rinforzati vedi pag. 205.


Allungabile (►)

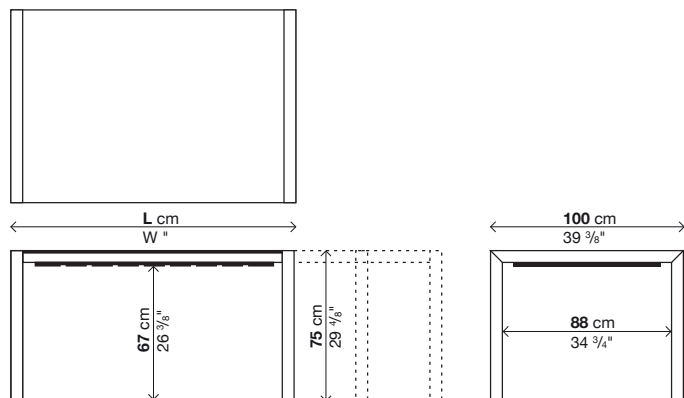
Codice	Lunghezza (L)	Prof.	Gambe	Piano	Prezzi EURO	colli	m ²	Kg
01SUS04	100-170	100	alluminio	Alucompact	3	0,33	55	
				Pure-white				
			verniciato	Alucompact				
				Pure-white				
01SUS02*	177-224-271	100	alluminio	Alucompact	3	0,52	85	
				Pure-white				
				Fenix bordo nero				
				Fenix bordo colore				
			verniciato	Alucompact				
				Pure-white				
				Fenix bordo nero				
				Fenix bordo colore				
01SUS36*	200-247-294	100	alluminio	Alucompact	3	0,57	92	
				Pure-white				
				Fenix bordo nero				
				Fenix bordo colore				
			verniciato	Alucompact				
				Pure-white				
				Fenix bordo nero				
				Fenix bordo colore				
01SUS05*	220-267-314	100	alluminio	Alucompact	3	0,62	98	
				Pure-white				
				Fenix bordo nero				
				Fenix bordo colore				
			verniciato	Alucompact				
				Pure-white				
				Fenix bordo nero				
				Fenix bordo colore				

(*) 3^a prolunga aggiuntiva

Codice	Lunghezza (L)	Prolunga	Prezzi EURO	colli	m ²	Kg
50SUS06A	33	Alucompact	1	0,035	6	
		Pure-white				
		Fenix bordo nero				
		Fenix bordo colore				

Optionals

Codice			Prezzi EURO	colli	m ²	Kg
02GTA02		taglio gambe a misura	-	-	-	-



Sushi Alucompact® / Pure-white / Fenix-NTM®

Fisso - Prof. 100 cm.

Finitura gambe:

Alluminio anodizzato

Alluminio verniciato bianco (simile al Ral 9016)

Alluminio verniciato "Alucompact® grigio sabbia" (simile al Ral 9002)

Alluminio verniciato "Alucompact® grigio antracite" (simile al Ral 7015)

Alluminio verniciato "Fenix-NTM® grigio Londra" (simile al Ral Design0805005)

Alluminio verniciato "Fenix-NTM® grigio Bromo" (simile al Ral 7012)

Alluminio verniciato nero (simile al Ral 9004)

Finitura piano:

Laminato Alucompact® (bianco, grigio sabbia, grigio antracite, nero)

Laminato Pure-white bianco

Fenix-NTM® bordo nero (bianco Kos 0032, grigio Londra 0718, grigio Bromo 0724, nero Ingo 0720)

Fenix-NTM® bordo colore (bianco Kos 0032, grigio Londra 0718)

→ *Attenzione: le misure o le finiture contrassegnate con (!) hanno tempi di produzione più lunghi, circa 6 settimane dalla data dell'ordine.*

→ *I tavoli che in estensione superano i 250 cm presentano una leggera flessione del piano, che rientra negli standard di qualità accettati.*

→ *I tavoli lunghezza 280 e 300 cm presentano una trafilata sottopiano di supporto centrale, pertanto eventuali fori passacavi non potranno essere posizionati centrati nella profondità ma lievemente spostati.*

→ *Imballi rinforzati vedi pag. 205.*


Fisso (II)

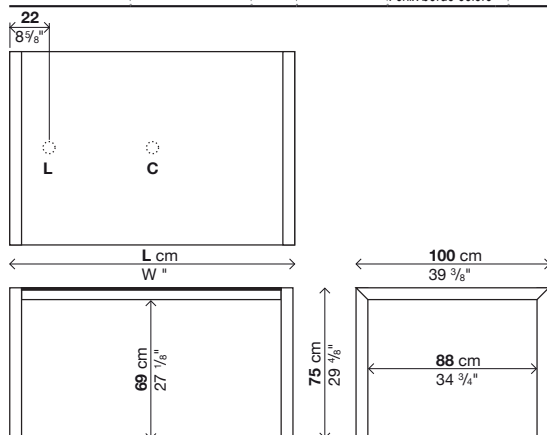
Codice	Lunghezza (L)	Prof.	Gambe	Piano	Prezzi EURO	colli	m ³	Kg
01SUS04F	100	100	alluminio	Alucompact	1	0,32	40	
				Pure-white				
			verniciato	Alucompact	1	0,39	50	
				Pure-white				
01SUS78F	150	100	alluminio	Alucompact	1	0,39	50	
				Pure-white				
			verniciato	Alucompact	1	0,39	50	
				Pure-white				
01SUS02F	177	100	alluminio	Alucompact	1	0,45	56	
				Pure-white				
				Fenix bordo nero				
			verniciato	Fenix bordo colore				
				Alucompact				
				Pure-white				
01SUS08F	200	100	alluminio	Alucompact	1	0,5	62	
				Pure-white				
				Fenix bordo nero				
			verniciato	Fenix bordo colore				
				Alucompact				
				Pure-white				
01SUS05F	220	100	alluminio	Alucompact	1	0,55	67	
				Pure-white				
				Fenix bordo nero				
			verniciato	Fenix bordo colore				
				Alucompact				
				Pure-white				

Fisso (II)

Codice	Lunghezza (L)	Prof.	Gambe	Piano	Prezzi EURO	colli	m ³	Kg
01SUS09F	240	100	alluminio	Alucompact (!)	1	0,6	72	
				Pure-white (!)				
			verniciato	Alucompact (!)	1	0,65	77	
				Pure-white (!)				
01SUS80F	260	100	alluminio	Alucompact (!)	1	0,65	77	
				Pure-white (!)				
			verniciato	Alucompact (!)	1	0,69	85	
				Pure-white (!)				
01SUS82F	280	100	alluminio	Alucompact (!)	1	0,69	85	
				Pure-white (!)				
			verniciato	Alucompact (!)	1	0,74	90	
				Pure-white (!)				
01SUS36F	300	100	alluminio	Alucompact (!)	1	0,74	90	
				Pure-white (!)				
			verniciato	Alucompact (!)	1	0,74	90	
				Pure-white (!)				

Optionals

Codice			Prezzi EURO	colli	m ³	Kg
02GTA02		taglio gambe a misura	-	-	-	-
02FOR01	Ø6	foro passacavi laterale o centrale	-	-	-	-
02RET03		rete cablaggio, materiale plastico	1	0,07	1	
02VER01		vertebra, metacrilato opalino	1	0,007	1,5	
02CPU03		porta CPU, metacrilato opalino	1	0,14	5,5	



Sushi Alucompact® / Pure-white

Fisso - Prof. 124 cm.

Finitura gambe:

Alluminio anodizzato

Alluminio verniciato bianco (simile al Ral 9016)

Alluminio verniciato "Alucompact® grigio sabbia" (simile al Ral 9002)

Alluminio verniciato "Alucompact® grigio antracite" (simile al Ral 7015)

Alluminio verniciato nero (simile al Ral 9004)

Finitura piano:

Laminato Alucompact® (bianco, grigio sabbia, grigio antracite, nero)

Laminato Pure-white bianco

→ *Attenzione: le misure o le finiture contrassegnate con (!) hanno tempi di produzione più lunghi, circa 6 settimane dalla data dell'ordine.*



→ *I tavoli che in estensione superano i 250 cm presentano una leggera flessione del piano, che rientra negli standard di qualità accettati.*

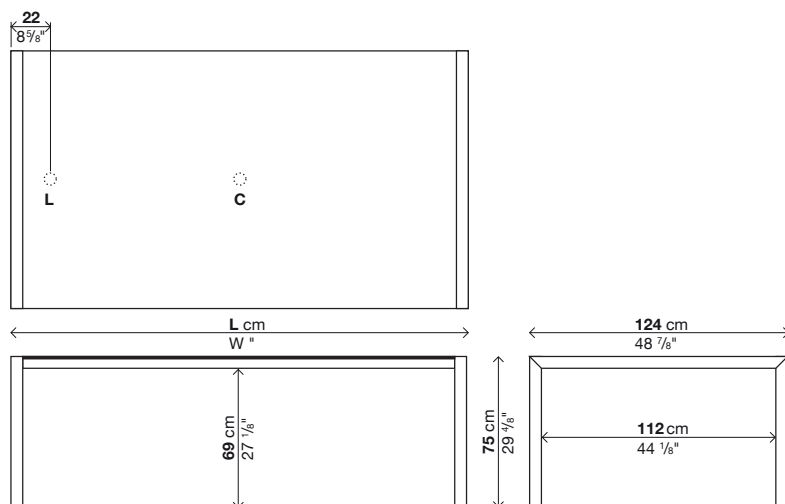
→ *Imballi rinforzati vedi pag. 205.*

Fisso (II)

Codice	Lunghezza (L)	Prof.	Gambe	Piano	Prezzi EURO	colli	m ²	Kg
01SUS88F	220	124	alluminio	Alucompact (!)	1	0,66	86	
				Pure-white (!)				
			verniciato	Alucompact (!)				
				Pure-white (!)				
01SUS90F	240	124	alluminio	Alucompact (!)	1	0,72	92	
				Pure-white (!)				
			verniciato	Alucompact (!)				
				Pure-white (!)				
01SUS92F	288	124	alluminio	Alucompact (!)	1	0,85	108	
				Pure-white (!)				
			verniciato	Alucompact (!)				
				Pure-white (!)				

Optionals

Codice			Prezzi EURO	colli	m ²	Kg
02GTA02		taglio gambe a misura	-	-	-	-
02FOR01		foro passacavi laterale o centrale	-	-	-	-
02RET04		rete cablaggio, materiale plastico	1	0,07	1	
02VER01		vertebra, metacrilato opalino	1	0,007	1,5	
02CPU04		porta CPU, metacrilato opalino	1	0,14	5,5	



Sushi DEKTON® by Cosentino

Allungabile/Fisso - Prof. 90/100 cm.

Finitura gambe:

Alluminio anodizzato

Alluminio verniciato bianco (simile al Ral 9016)

Alluminio verniciato "grigio Ventus"

Finitura piano:

DEKTON® bianco Zenith

DEKTON® grigio Ventus

DEKTON® Aura (marmo digitale)

Finitura prolunghe:

Alluminio verniciato bianco (simile al Ral 9016)

Alluminio verniciato "grigio Ventus"

→ *Attenzione: le venature riprodotte sulla superficie dei piani in DEKTON® Aura (marmo digitale) sono disposte in modo casuale, peculiarità che rende ciascun piano unico e non ripetibile. Questa caratteristica implica possibili differenze rispetto ai campioni, non contestabili quali imperfezioni o anomalie. In virtù della casualità della loro disposizione, non è possibile avere su richiesta venature più o meno omogenee.*

→ *Attenzione: le misure o le finiture contrassegnate con (!) hanno tempi di produzione più lunghi, circa 6 settimane dalla data dell'ordine.*

→ *I tavoli che in estensione superano i 250 cm presentano una leggera flessione del piano, che rientra negli standard di qualità accettati.*

→ *Imballi rinforzati vedi pag. 205.*

Allungabile (▶)

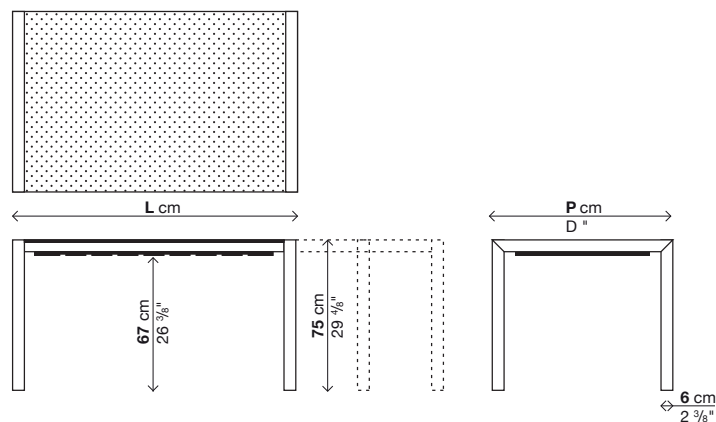
Codice	Lunghezza (L)	Prof.	Gambe	Piano	Prezzi EURO	colli	m ³	Kg
01SUS07	150-187-224	90	alluminio	DEKTON (!)	3	0,41	89	
			verniciato	DEKTON (!)				
01SUS06	177-214-251	90	alluminio	DEKTON (!)	3	0,5	102	
			verniciato	DEKTON (!)				
01SUS09	200-237-274	90	alluminio	DEKTON (!)	3	0,51	105	
			verniciato	DEKTON (!)				
01SUS02	177-214-251	100	alluminio	DEKTON (!)	3	0,52	108	
			verniciato	DEKTON (!)				
01SUS36	200-237-274	100	alluminio	DEKTON (!)	3	0,57	118	
			verniciato	DEKTON (!)				

Fisso (||)

Codice	Lunghezza (L)	Prof.	Gambe	Piano	Prezzi EURO	colli	m ³	Kg
01SUS07F	150	90	alluminio	DEKTON (!)	1	0,36	60	
			verniciato	DEKTON (!)				
01SUS06F	177	90	alluminio	DEKTON (!)	1	0,42	69	
			verniciato	DEKTON (!)				
01SUS64F	200	90	alluminio	DEKTON (!)	1	0,46	76	
			verniciato	DEKTON (!)				
01SUS02F	177	100	alluminio	DEKTON (!)	1	0,45	74	
			verniciato	DEKTON (!)				
01SUS08F	200	100	alluminio	DEKTON (!)	1	0,5	83	
			verniciato	DEKTON (!)				
01SUS09F	240	100	alluminio	DEKTON (!)	1	0,6	97	
			verniciato	DEKTON (!)				
01SUS82F	280	100	alluminio	DEKTON (!)	1	0,69	115	
			verniciato	DEKTON (!)				

Optionals

Codice	Prof		Prezzi EURO	colli	m ³	Kg
02GTA02		taglio gambe a misura	-	-	-	-
02RET01	80	rete cablaggio, materiale plastico	1	0,07	1	
02RET02	90	rete cablaggio, materiale plastico	1	0,07	1	
02RET03	100	rete cablaggio, materiale plastico	1	0,07	1	
02VER01		vertebra, metacrilato opalino	1	0,007	1,5	
02CPU01	80	porta CPU, metacrilato opalino	1	0,14	5,5	
02CPU02	90	porta CPU, metacrilato opalino	1	0,14	5,5	
02CPU03	100	porta CPU, metacrilato opalino	1	0,14	5,5	



Sushi vetro

Allungabile - Prof. 80 cm.

Finitura gambe:

Alluminio anodizzato

Alluminio verniciato bianco (simile al Ral 9016)

Alluminio verniciato nero (simile al Ral 9004)

Finitura piano:

Vetro lucido colori standard: extra white, grigio antracite, nero, titanio

Vetro lucido colori scala RAL/NCS a richiesta

Vetro opaco colori: extra white, grigio antracite, nero, titanio

Finitura prolunghe:

Laminato Alucompact® bianco

Laminato Alucompact® grigio sabbia

Laminato Alucompact® grigio antracite

Laminato Alucompact® nero

→ Nei tavoli con i codici contrassegnati con l'asterisco (*) c'è la possibilità di aggiungere la terza prolunga per aumentare ulteriormente l'allungo.

→ Attenzione: le misure o le finiture contrassegnate con (!) hanno tempi di produzione più lunghi, circa 6 settimane dalla data dell'ordine.

→ Attenzione: variazioni di tonalità rispetto al campione RAL/NCS scelto sono inevitabili e dovute alla rifrazione del colore attraverso lo spessore del vetro.
Non si effettuano colori RAL/NCS a richiesta nelle tonalità del bianco.

→ I tavoli che in estensione superano i 250 cm presentano una leggera flessione del piano, che rientra negli standard di qualità accettati.

→ Imballi rinforzati vedi pag. 205.

Allungabile (►)

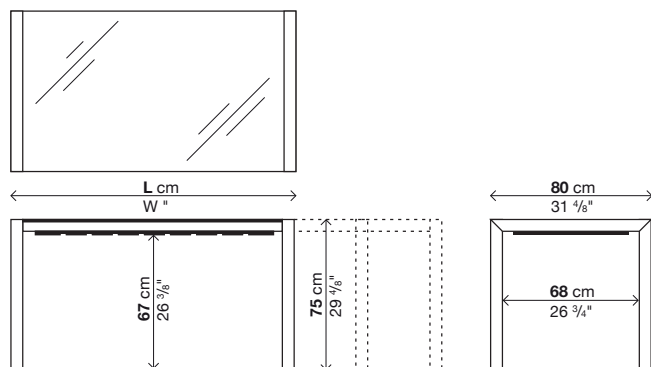
Codice	Lunghezza (L)	Prof.	Gambe	Piano	Prezzi EURO	colli	m ³	Kg
01SUS11	125-165-205	80	alluminio	lucido standard	3	0,32	64	
				lucido RAL/NCS (!)				
				vetro opaco				
			verniciato	lucido standard				
				lucido RAL/NCS (!)				
				vetro opaco				
01SUS13*	150-190-230	80	alluminio	lucido standard	3	0,37	72	
				lucido RAL/NCS (!)				
				vetro opaco				
			verniciato	lucido standard				
				lucido RAL/NCS (!)				
				vetro opaco				
01SUS16*	177-217-257	80	alluminio	lucido standard	3	0,42	79	
				lucido RAL/NCS (!)				
				vetro opaco				
			verniciato	lucido standard				
				lucido RAL/NCS (!)				
				vetro opaco				

(*) 3ª prolunga aggiuntiva

Codice	Lunghezza (L)	Prolunga	Prezzi EURO	colli	m ³	Kg
50SUS05A	33	Alucompact		1	0,025	6

Optionals

Codice		Prezzi EURO	colli	m ³	Kg
02GTA02	 taglio gambe a misura		-	-	-



Sushi vetro

Fisso - Prof. 80 cm.

Finitura gambe:

Alluminio anodizzato

Alluminio verniciato bianco (simile al Ral 9016)

Alluminio verniciato nero (simile al Ral 9004)

Finitura piano:

Vetro lucido colori standard: extra white, grigio antracite, nero, titanio

Vetro lucido colori scala RAL/NCS a richiesta

Vetro opaco colori: extra white, grigio antracite, nero, titanio

→ *Attenzione: le misure o le finiture contrassegnate con (!) hanno tempi di produzione più lunghi, circa 6 settimane dalla data dell'ordine.*

→ *Attenzione: variazioni di tonalità rispetto al campione RAL/NCS scelto sono inevitabili e dovute alla rifrazione del colore attraverso lo spessore del vetro.*
Non si effettuano colori RAL/NCS a richiesta nelle tonalità del bianco.

→ *I tavoli che in estensione superano i 250 cm presentano una leggera flessione del piano, che rientra negli standard di qualità accettati.*

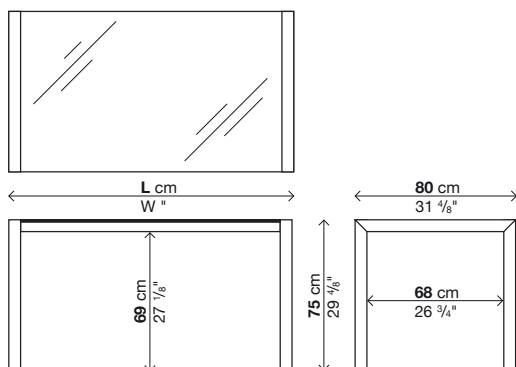
→ *Imballi rinforzati vedi pag. 205.*

Fisso (II)

Codice	Lunghezza (L)	Prof.	Gambe	Piano	Prezzi EURO	coll.: m ³	Kg
01SUS31F	80	80	alluminio	lucido standard	1	0,18	31
				lucido RAL/NCS (!)			
				vetro opaco			
			verniciato	lucido standard			
				lucido RAL/NCS (!)			
				vetro opaco			
01SUS11F	125	80	alluminio	lucido standard	1	0,27	44
				lucido RAL/NCS (!)			
				vetro opaco			
			verniciato	lucido standard			
				lucido RAL/NCS (!)			
				vetro opaco			
01SUS13F	150	80	alluminio	lucido standard	1	0,32	52
				lucido RAL/NCS (!)			
				vetro opaco			
			verniciato	lucido standard			
				lucido RAL/NCS (!)			
				vetro opaco			
01SUS33F	177	80	alluminio	lucido standard	1	0,37	58
				lucido RAL/NCS (!)			
				vetro opaco			
			verniciato	lucido standard			
				lucido RAL/NCS (!)			
				vetro opaco			
01SUS37F	200	80	alluminio	lucido standard	1	0,41	66
				lucido RAL/NCS (!)			
				vetro opaco			
			verniciato	lucido standard			
				lucido RAL/NCS (!)			
				vetro opaco			

Fisso (II)

Codice	Lunghezza (L)	Prof.	Gambe	Piano	Prezzi EURO	coll.: m ³	Kg
01SUS39F	220	80	alluminio	lucido standard (!)	1	0,45	72
				lucido RAL/NCS (!)			
				vetro opaco (!)			
			verniciato	lucido standard (!)			
				lucido RAL/NCS (!)			
				vetro opaco (!)			
01SUS45F	240	80	alluminio	lucido standard (!)	1	0,49	77
				lucido RAL/NCS (!)			
				vetro opaco (!)			
			verniciato	lucido standard (!)			
				lucido RAL/NCS (!)			
				vetro opaco (!)			
01SUS49F	260	80	alluminio	lucido standard (!)	1	0,53	83
				lucido RAL/NCS (!)			
				vetro opaco (!)			
			verniciato	lucido standard (!)			
				lucido RAL/NCS (!)			
				vetro opaco (!)			
01SUS53F	280	80	alluminio	lucido standard (!)	1	0,57	88
				lucido RAL/NCS (!)			
				vetro opaco (!)			
			verniciato	lucido standard (!)			
				lucido RAL/NCS (!)			
				vetro opaco (!)			
01SUS56F	300	80	alluminio	lucido standard (!)	1	0,61	94
				lucido RAL/NCS (!)			
				vetro opaco (!)			
			verniciato	lucido standard (!)			
				lucido RAL/NCS (!)			
				vetro opaco (!)			



Optionals

Codice			Prezzi EURO	coll.: m ³	Kg
02GTA02		taglio gambe a misura	-	-	-
02RET01		rete cablaggio, materiale plastico	1	0,07	1
02VER01		vertebra, metacrilato opalino	1	0,007	1,5
02CPU01		porta CPU, metacrilato opalino	1	0,14	5,5

Sushi vetro

Allungabile - Prof. 90 cm.

Finitura gambe:

Alluminio anodizzato

Alluminio verniciato bianco (simile al Ral 9016)

Alluminio verniciato nero (simile al Ral 9004)

Finitura piano:

Vetro lucido colori standard: extra white, grigio antracite, nero, titanio

Vetro lucido colori scala RAL/NCS a richiesta

Vetro opaco colori: extra white, grigio antracite, nero, titanio

Finitura prolunghe:

Laminato Alucompact® bianco

Laminato Alucompact® grigio sabbia

Laminato Alucompact® grigio antracite

Laminato Alucompact® nero

→ Nei tavoli con i codici contrassegnati con l'asterisco (*) c'è la possibilità di aggiungere la terza prolunga per aumentare ulteriormente l'allungo.

→ Attenzione: le misure o le finiture contrassegnate con (!) hanno tempi di produzione più lunghi, circa 6 settimane dalla data dell'ordine.

→ Attenzione: variazioni di tonalità rispetto al campione RAL/NCS scelto sono inevitabili e dovute alla rifrazione del colore attraverso lo spessore del vetro.
Non si effettuano colori RAL/NCS a richiesta nelle tonalità del bianco.

→ I tavoli che in estensione superano i 250 cm presentano una leggera flessione del piano, che rientra negli standard di qualità accettati.

→ Imballi rinforzati vedi pag. 205.

Allungabile (►)

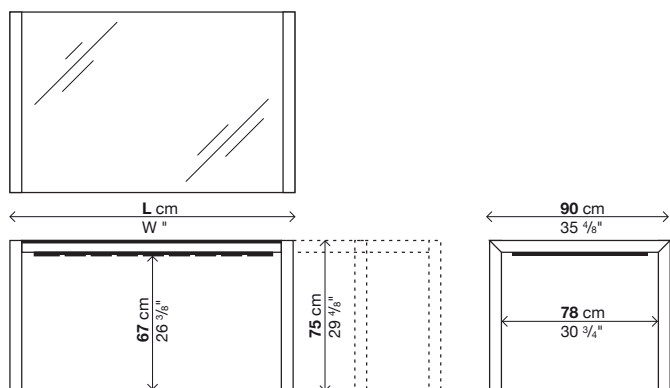
Codice	Lunghezza (L)	Prof.	Gambe	Piano	Prezzi EURO	colli	m ³	Kg
01SUS17*	150-187-224	90	alluminio	lucido standard	3	0,41	81	
				lucido RAL/NCS (!)				
				vetro opaco				
			verniciato	lucido standard				
				lucido RAL/NCS (!)				
				vetro opaco				
01SUS15	177-214-251-288 3ª prolunga di serie	90	alluminio	lucido standard	4	0,5	96	
				lucido RAL/NCS (!)				
				vetro opaco				
			verniciato	lucido standard				
				lucido RAL/NCS (!)				
				vetro opaco				
01SUS18*	200-237-274	90	alluminio	lucido standard	3	0,51	98	
				lucido RAL/NCS (!)				
				vetro opaco				
			verniciato	lucido standard				
				lucido RAL/NCS (!)				
				vetro opaco				
01SUS52*	220-257-294	90	alluminio	lucido standard	3	0,55	105	
				lucido RAL/NCS (!)				
				vetro opaco				
			verniciato	lucido standard				
				lucido RAL/NCS (!)				
				vetro opaco				

(*) 3ª prolunga aggiuntiva

Codice	Lunghezza (L)	Prolunga	Prezzi EURO	colli	m ³	Kg
50SUS02A	37,5	Alucompact		1	0,025	6,5

Optionals

Codice			Prezzi EURO	colli	m ³	Kg
02GTA02	✂	taglio gambe a misura		-	-	-



Sushi vetro

Fisso - Prof. 90 cm.

Finitura gambe:

Alluminio anodizzato

Alluminio verniciato bianco (simile al Ral 9016)

Alluminio verniciato nero (simile al Ral 9004)

Finitura piano:

Vetro lucido colori standard: extra white, grigio antracite, nero, titanio

Vetro lucido colori scala RAL/NCS a richiesta

Vetro opaco colori: extra white, grigio antracite, nero, titanio

→ *Attenzione: le misure o le finiture contrassegnate con (!) hanno tempi di produzione più lunghi, circa 6 settimane dalla data dell'ordine.*

→ *Attenzione: variazioni di tonalità rispetto al campione RAL/NCS scelto sono inevitabili e dovute alla rifrazione del colore attraverso lo spessore del vetro.*
Non si effettuano colori RAL/NCS a richiesta nelle tonalità del bianco.

→ *I tavoli che in estensione superano i 250 cm presentano una leggera flessione del piano, che rientra negli standard di qualità accettati.*

→ *Imballi rinforzati vedi pag. 205.*


Fisso (II)

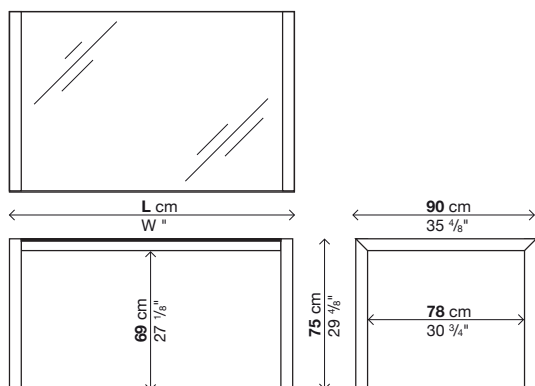
Codice	Lunghezza (L)	Prof.	Gambe	Piano	Prezzi EURO	coll.: m³	Kg
01SUS58F	90	90	alluminio	lucido standard	1	0,23	37
				lucido RAL/NCS (!)			
				vetro opaco			
			verniciato	lucido standard			
				lucido RAL/NCS (!)			
				vetro opaco			
01SUS63F	125	90	alluminio	lucido standard	1	0,3	51
				lucido RAL/NCS (!)			
				vetro opaco			
			verniciato	lucido standard			
				lucido RAL/NCS (!)			
				vetro opaco			
01SUS17F	150	90	alluminio	lucido standard	1	0,36	58
				lucido RAL/NCS (!)			
				vetro opaco			
			verniciato	lucido standard			
				lucido RAL/NCS (!)			
				vetro opaco			
01SUS15F	177	90	alluminio	lucido standard	1	0,42	67
				lucido RAL/NCS (!)			
				vetro opaco			
			verniciato	lucido standard			
				lucido RAL/NCS (!)			
				vetro opaco			
01SUS67F	200	90	alluminio	lucido standard	1	0,46	74
				lucido RAL/NCS (!)			
				vetro opaco			
			verniciato	lucido standard			
				lucido RAL/NCS (!)			
				vetro opaco			

Fisso (II)

Codice	Lunghezza (L)	Prof.	Gambe	Piano	Prezzi EURO	coll.: m³	Kg
01SUS52F	220	90	alluminio	lucido standard (!)	1	0,5	80
				lucido RAL/NCS (!)			
				vetro opaco (!)			
			verniciato	lucido standard (!)			
				lucido RAL/NCS (!)			
				vetro opaco (!)			
01SUS69F	240	90	alluminio	lucido standard (!)	1	0,55	86
				lucido RAL/NCS (!)			
				vetro opaco (!)			
			verniciato	lucido standard (!)			
				lucido RAL/NCS (!)			
				vetro opaco (!)			
01SUS71F	260	90	alluminio	lucido standard (!)	1	0,59	92
				lucido RAL/NCS (!)			
				vetro opaco (!)			
			verniciato	lucido standard (!)			
				lucido RAL/NCS (!)			
				vetro opaco (!)			
01SUS73F	280	90	alluminio	lucido standard (!)	1	0,63	103
				lucido RAL/NCS (!)			
				vetro opaco (!)			
			verniciato	lucido standard (!)			
				lucido RAL/NCS (!)			
				vetro opaco (!)			
01SUS75F	300	90	alluminio	lucido standard (!)	1	0,67	109
				lucido RAL/NCS (!)			
				vetro opaco (!)			
			verniciato	lucido standard (!)			
				lucido RAL/NCS (!)			
				vetro opaco (!)			

Optionals

Codice			Prezzi EURO	coll.: m³	Kg
02GTA02		taglio gambe a misura	-	-	-
02RET02		rete cablaggio, materiale plastico	1	0,07	1
02VER01		vertebra, metacrilato opalino	1	0,007	1,5
02CPU02		porta CPU, metacrilato opalino	1	0,14	5,5



Sushi vetro

Allungabile - Prof. 100 cm.

Finitura gambe:

Alluminio anodizzato

Alluminio verniciato bianco (simile al Ral 9016)

Alluminio verniciato nero (simile al Ral 9004)

Finitura piano:

Vetro lucido colori standard: extra white, grigio antracite, nero, titanio

Vetro lucido colori scala RAL/NCS a richiesta

Vetro opaco colori: extra white, grigio antracite, nero, titanio

Finitura prolunghe:

Laminato Alucompact® bianco

Laminato Alucompact® grigio sabbia

Laminato Alucompact® grigio antracite

Laminato Alucompact® nero

→ Nei tavoli con i codici contrassegnati con l'asterisco (*) c'è la possibilità di aggiungere la terza prolunga per aumentare ulteriormente l'allungo.

→ Attenzione: le misure o le finiture contrassegnate con (!) hanno tempi di produzione più lunghi, circa 6 settimane dalla data dell'ordine.

→ Attenzione: variazioni di tonalità rispetto al campione RAL/NCS scelto sono inevitabili e dovute alla rifrazione del colore attraverso lo spessore del vetro.
Non si effettuano colori RAL/NCS a richiesta nelle tonalità del bianco.

→ I tavoli che in estensione superano i 250 cm presentano una leggera flessione del piano, che rientra negli standard di qualità accettati.

→ Imballi rinforzati vedi pag. 205.

Allungabile (►)

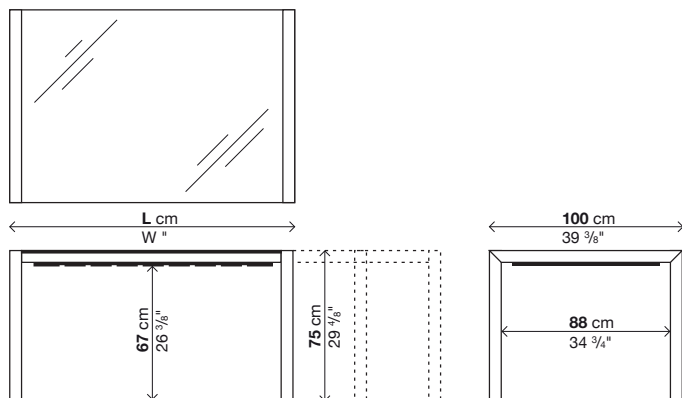
Codice	Lunghezza (L)	Prof.	Gambe	Piano	Prezzi EURO	colli	m ³	Kg
01SUS14	100-170	100	alluminio	lucido standard	3	0,33	63	
				lucido RAL/NCS (!)				
				vetro opaco				
			verniciato	lucido standard				
				lucido RAL/NCS (!)				
				vetro opaco				
01SUS12*	177-224-271	100	alluminio	lucido standard	3	0,52	101	
				lucido RAL/NCS (!)				
				vetro opaco				
			verniciato	lucido standard				
				lucido RAL/NCS (!)				
				vetro opaco				
01SUS20*	200-247-294	100	alluminio	lucido standard	3	0,57	108	
				lucido RAL/NCS (!)				
				vetro opaco				
			verniciato	lucido standard				
				lucido RAL/NCS (!)				
				vetro opaco				
01SUS19*	220-267-314	100	alluminio	lucido standard	3	0,62	118	
				lucido RAL/NCS (!)				
				vetro opaco				
			verniciato	lucido standard				
				lucido RAL/NCS (!)				
				vetro opaco				

(*) 3ª prolunga aggiuntiva

Codice	Lunghezza (L)	Prolunga	Prezzi EURO	colli	m ³	Kg
50SUS06A	33	Alucompact		1	0,035	6

Optionals

Codice			Prezzi EURO	colli	m ³	Kg
02GTA02	✂	taglio gambe a misura		-	-	-



Sushi vetro

Fisso - Prof. 100 cm.

Finitura gambe:

Alluminio anodizzato

Alluminio verniciato bianco (simile al Ral 9016)

Alluminio verniciato nero (simile al Ral 9004)

Finitura piano:

Vetro lucido colori standard: extra white, grigio antracite, nero, titanio

Vetro lucido colori scala RAL/NCS a richiesta

Vetro opaco colori: extra white, grigio antracite, nero, titanio

→ *Attenzione: le misure o le finiture contrassegnate con (!) hanno tempi di produzione più lunghi, circa 6 settimane dalla data dell'ordine.*

→ *Attenzione: variazioni di tonalità rispetto al campione RAL/NCS scelto sono inevitabili e dovute alla rifrazione del colore attraverso lo spessore del vetro.*
Non si effettuano colori RAL/NCS a richiesta nelle tonalità del bianco.

→ *I tavoli che in estensione superano i 250 cm presentano una leggera flessione del piano, che rientra negli standard di qualità accettati.*

→ *Imballi rinforzati vedi pag. 205.*


Fisso (II)

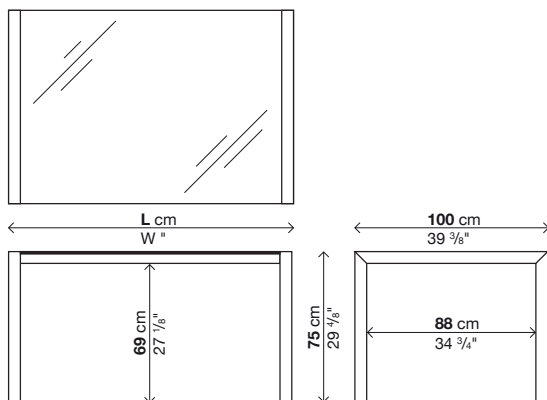
Codice	Lunghezza (L)	Prof.	Gambe	Piano	Prezzi EURO	coll. m ³	Kg
01SUS14F	100	100	alluminio	lucido standard	1	0,27	45
				lucido RAL/NCS (!)			
				vetro opaco			
			verniciato	lucido standard			
				lucido RAL/NCS (!)			
				vetro opaco			
01SUS79F	150	100	alluminio	lucido standard	1	0,39	63
				lucido RAL/NCS (!)			
				vetro opaco			
			verniciato	lucido standard			
				lucido RAL/NCS (!)			
				vetro opaco			
01SUS12F	177	100	alluminio	lucido standard	1	0,45	72
				lucido RAL/NCS (!)			
				vetro opaco			
			verniciato	lucido standard			
				lucido RAL/NCS (!)			
				vetro opaco			
01SUS16F	200	100	alluminio	lucido standard	1	0,5	80
				lucido RAL/NCS (!)			
				vetro opaco			
			verniciato	lucido standard			
				lucido RAL/NCS (!)			
				vetro opaco			
01SUS19F	220	100	alluminio	lucido standard	1	0,55	87
				lucido RAL/NCS (!)			
				vetro opaco			
			verniciato	lucido standard			
				lucido RAL/NCS (!)			
				vetro opaco			

Fisso (II)

Codice	Lunghezza (L)	Prof.	Gambe	Piano	Prezzi EURO	coll. m ³	Kg
01SUS50F	240	100	alluminio	lucido standard (!)	1	0,6	93
				lucido RAL/NCS (!)			
				vetro opaco (!)			
			verniciato	lucido standard (!)			
				lucido RAL/NCS (!)			
				vetro opaco (!)			
01SUS81F	260	100	alluminio	lucido standard (!)	1	0,65	100
				lucido RAL/NCS (!)			
				vetro opaco (!)			
			verniciato	lucido standard (!)			
				lucido RAL/NCS (!)			
				vetro opaco (!)			
01SUS83F	280	100	alluminio	lucido standard (!)	1	0,69	110
				lucido RAL/NCS (!)			
				vetro opaco (!)			
			verniciato	lucido standard (!)			
				lucido RAL/NCS (!)			
				vetro opaco (!)			
01SUS54F	300	100	alluminio	lucido standard (!)	1	0,74	118
				lucido RAL/NCS (!)			
				vetro opaco (!)			
			verniciato	lucido standard (!)			
				lucido RAL/NCS (!)			
				vetro opaco (!)			

Optionals

Codice		Prezzi EURO	coll. m ³	Kg
02GTA02		-	-	-
02RET03		1	0,07	1
02VER01		1	0,007	1,5
02CPU03		1	0,14	5,5



Sushi vetro

Fisso - Prof. 124 cm.

Finitura gambe:

Alluminio anodizzato

Alluminio verniciato bianco (simile al Ral 9016)

Alluminio verniciato nero (simile al Ral 9004)

Finitura piano:

Vetro lucido colori standard: extra white, grigio antracite, nero, titanio

Vetro lucido colori scala RAL/NCS a richiesta

Vetro opaco colori: extra white, grigio antracite, nero, titanio

→ *Attenzione: le misure o le finiture contrassegnate con (!) hanno tempi di produzione più lunghi, circa 6 settimane dalla data dell'ordine.*

→ *Attenzione: variazioni di tonalità rispetto al campione RAL/NCS scelto sono inevitabili e dovute alla rifrazione del colore attraverso lo spessore del vetro.*
Non si effettuano colori RAL/NCS a richiesta nelle tonalità del bianco.


→ *I tavoli che in estensione superano i 250 cm presentano una leggera flessione del piano, che rientra negli standard di qualità accettati.*

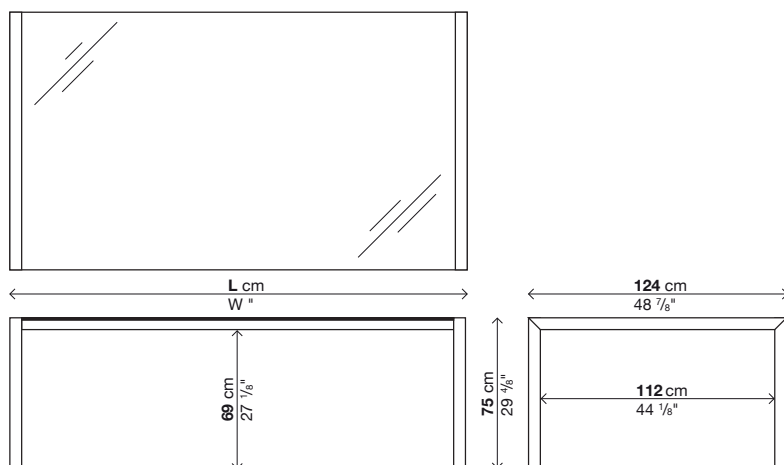
→ *Imballi rinforzati vedi pag. 205.*

Fisso (II)

Codice	Lunghezza (L)	Prof.	Gambe	Piano	Prezzi EURO	colli: m ³	Kg
01SUS89F	220	124	alluminio	lucido standard (!)	1	0,66	109
				lucido RAL/NCS (!)			
				vetro opaco (!)			
			verniciato	lucido standard (!)			
				lucido RAL/NCS (!)			
				vetro opaco (!)			
01SUS91F	240	124	alluminio	lucido standard (!)	1	0,72	118
				lucido RAL/NCS (!)			
				vetro opaco (!)			
			verniciato	lucido standard (!)			
				lucido RAL/NCS (!)			
				vetro opaco (!)			
01SUS93F	288	124	alluminio	lucido standard (!)	1	0,85	140
				lucido RAL/NCS (!)			
				vetro opaco (!)			
			verniciato	lucido standard (!)			
				lucido RAL/NCS (!)			
				vetro opaco (!)			

Optionals

Codice		Prezzi EURO	colli: m ³	Kg
02GTA02		taglio gambe a misura	-	-
02RET04		rete cablaggio, materiale plastico	1	0,07
02VER01		vertebra, metacrilato opalino	1	0,007
02CPU04		porta CPU, metacrilato opalino	1	0,14



Sushi vetro

Fisso - Prof. 140 cm.

Finitura gambe:

Alluminio anodizzato

Alluminio verniciato bianco (simile al Ral 9016)

Alluminio verniciato nero (simile al Ral 9004)

Finitura piano:

Vetro lucido colori standard: extra white, grigio antracite, nero, titanio

Vetro lucido colori scala RAL/NCS a richiesta

Vetro opaco colori: extra white, grigio antracite, nero, titanio

→ *Attenzione: le misure o le finiture contrassegnate con (!) hanno tempi di produzione più lunghi, circa 6 settimane dalla data dell'ordine.*


→ *Attenzione: variazioni di tonalità rispetto al campione RAL/NCS scelto sono inevitabili e dovute alla rifrazione del colore attraverso lo spessore del vetro.*
Non si effettuano colori RAL/NCS a richiesta nelle tonalità del bianco.

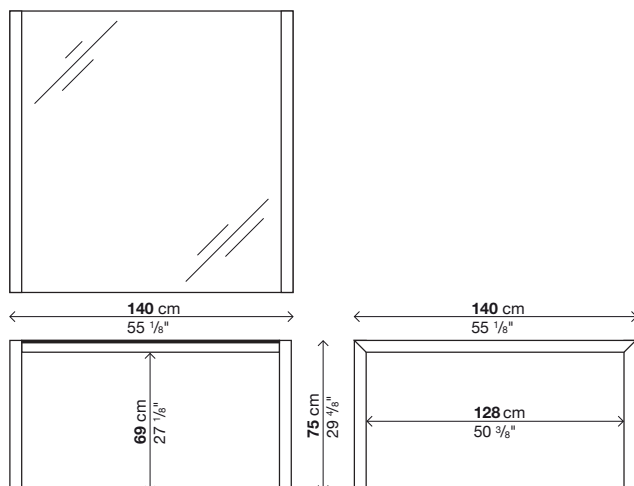
→ *Imballi rinforzati vedi pag. 205.*

Fisso (II)

Codice	Lunghezza (L)	Prof.	Gambe	Piano	Prezzi EURO	coll:	m ³	Kg
01SUS18F	140	140	alluminio	lucido standard (!)	1	0,52	73	
				lucido RAL/NCS (!)				
				vetro opaco (!)				
			verniciato	lucido standard (!)				
				lucido RAL/NCS (!)				
				vetro opaco (!)				

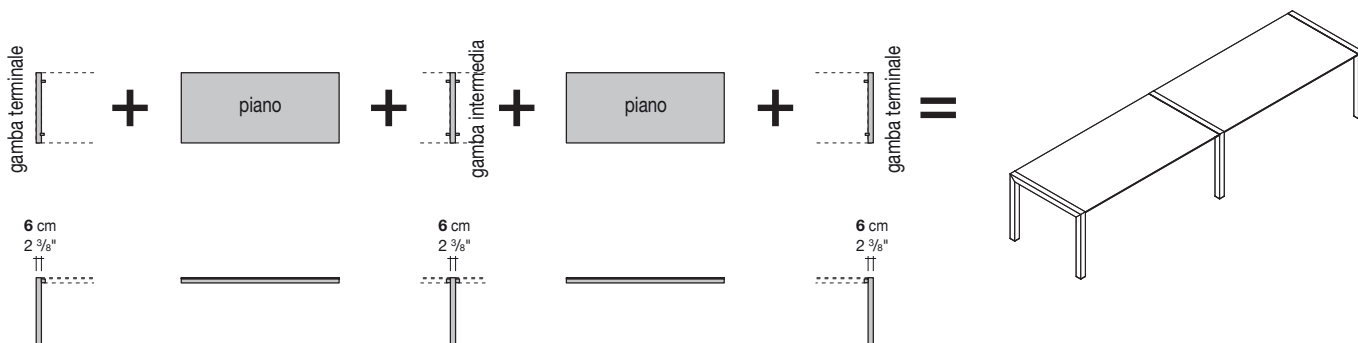
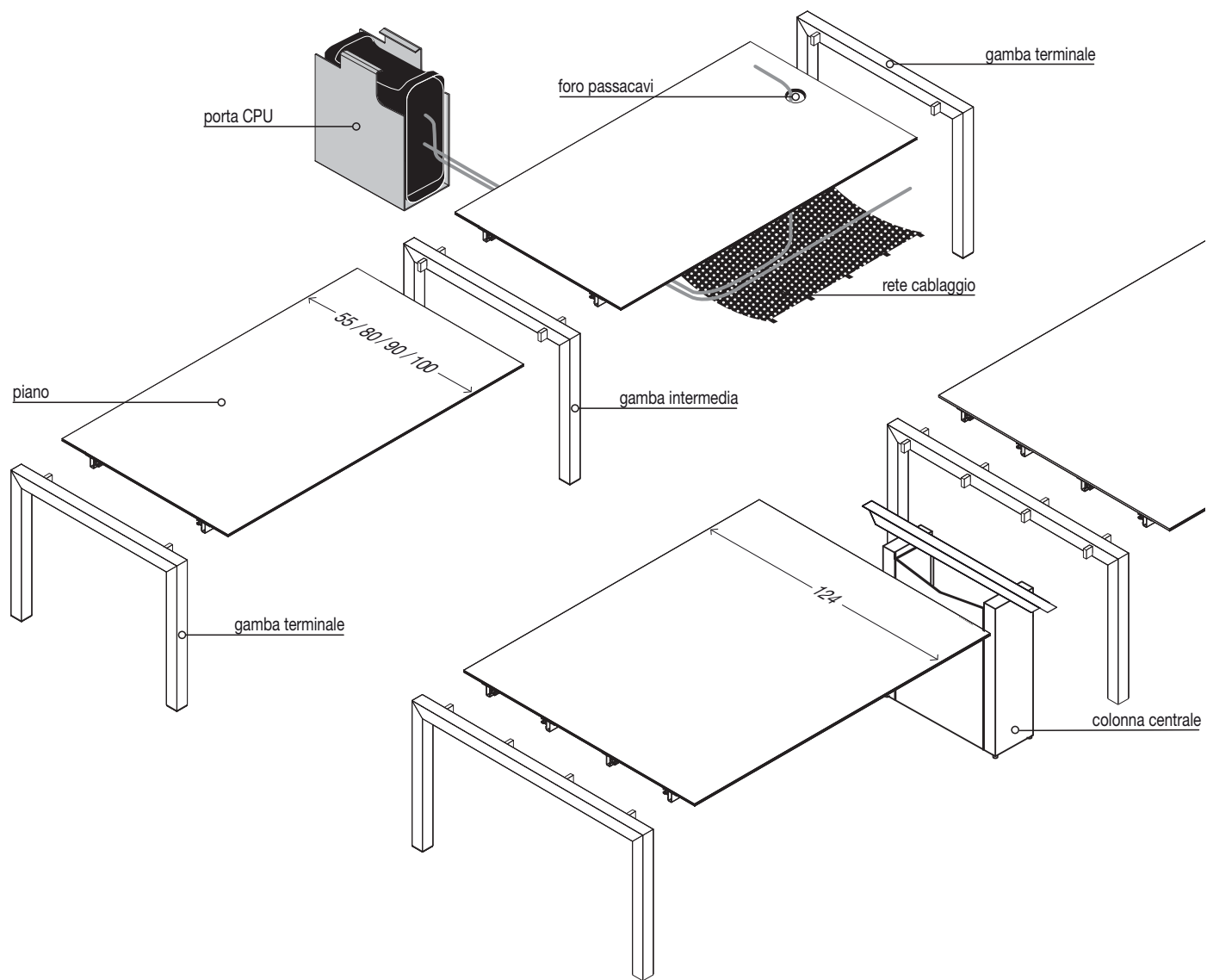
Optionals

Codice		Prezzi EURO	coll:	m ³	Kg
02GTA02		taglio gambe a misura	-	-	-
02VER01		vertebra, metacrilato opalino	1	0,007	1,5



Sushi componibile

Schema di assemblaggio



Sushi componibile

Piano in Alucompact®

Finitura piano:

Laminato Alucompact® bianco
 Laminato Alucompact® grigio sabbia
 Laminato Alucompact® grigio antracite
 Laminato Alucompact® nero

→ Su richiesta (per quantità) è possibile realizzare i piani in diversi materiali: laminato Pure-white, Fenix-NTM®, vetro.

→ Attenzione: le misure o le finiture contrassegnate con (!) hanno tempi di produzione più lunghi, circa 6 settimane dalla data dell'ordine.

→ I tavoli che in estensione superano i 250 cm presentano una leggera flessione del piano, che rientra negli standard di qualità accettati.

→ Imballi rinforzati vedi pag. 205.

Tavolo, tavolo meeting

Codice	L x P	Finitura piano	Prezzi EURO	coll.	m ²	Kg
02SUS00	113 x 55	laminato Alucompact (!)		1	0,2	18
02SUS01	135 x 55	laminato Alucompact (!)		1	0,24	24
02SUS02	204 x 55	laminato Alucompact (!)		1	0,33	35
02SUS03	113 x 80	laminato Alucompact		1	0,27	27
02SUS04	138 x 80	laminato Alucompact		1	0,32	32
02SUS15	165 x 80	laminato Alucompact (!)		1	0,37	37
02SUS05	138 x 90	laminato Alucompact		1	0,36	38
02SUS06	165 x 90	laminato Alucompact		1	0,42	42
02SUS64	188 x 90	laminato Alucompact (!)		1	0,46	47
02SUS16	208 x 90	laminato Alucompact (!)		1	0,5	52
02SUS68	228 x 90	laminato Alucompact (!)		1	0,55	56
02SUS70	248 x 90	laminato Alucompact (!)		1	0,59	61
02SUS72	268 x 90	laminato Alucompact (!)		1	0,63	69
02SUS74	288 x 90	laminato Alucompact (!)		1	0,67	75
02SUS07	88 x 100	laminato Alucompact		1	0,27	26
02SUS08	165 x 100	laminato Alucompact		1	0,45	52
02SUS13	188 x 100	laminato Alucompact (!)		1	0,5	51
02SUS09	208 x 100	laminato Alucompact (!)		1	0,55	56
02SUS14	228 x 100	laminato Alucompact (!)		1	0,6	61
02SUS80	248 x 100	laminato Alucompact (!)		1	0,65	68
02SUS82	268 x 100	laminato Alucompact (!)		1	0,69	75
02SUS36	288 x 100	laminato Alucompact (!)		1	0,74	80
02SUS88	208 x 124	laminato Alucompact (!)		1	0,66	75
02SUS90	228 x 124	laminato Alucompact (!)		1	0,72	81
02SUS12	276 x 124	laminato Alucompact (!)		1	0,85	97

Dattilo

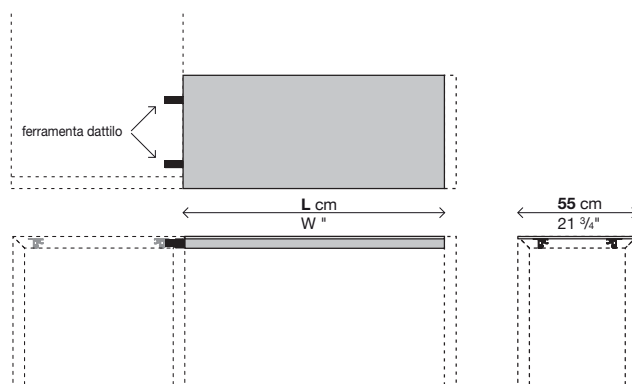
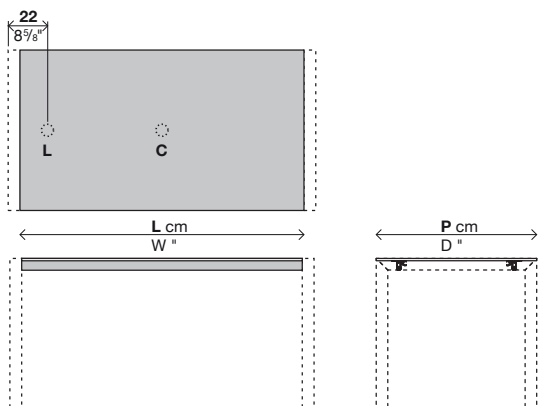
Codice	L x P	Finitura piano	Prezzi EURO	coll.	m ²	Kg
02SUS00	113 x 55	laminato Alucompact (!)		1	0,2	18
02SUS01	135 x 55	laminato Alucompact (!)		1	0,24	24
02SUS02	204 x 55	laminato Alucompact (!)		1	0,33	35

Ferramenta per dattilo

Codice	Descrizione	Prezzi EURO	coll.	m ²	Kg
02FER01	ferramenta dattilo		-	-	1,5

Optionals

Codice	Descrizione	Prezzi EURO	coll.	m ²	Kg
02FOR01	Ø6 foro passacavi laterale o centrale		-	-	-



Sushi componibile

Gamba terminale/Gamba intermedia/Colonna centrale

Finitura gambe:

Alluminio anodizzato

Alluminio verniciato bianco (simile al Ral 9016)

Alluminio verniciato "Alucompact® grigio sabbia" (simile al Ral 9002)

Alluminio verniciato "Alucompact® grigio antracite" (simile al Ral 7015)

Alluminio verniciato nero (simile al Ral 9004)

Finitura colonna:

Acciaio verniciato grigio alluminio (simile al Ral 7042)

Acciaio verniciato bianco (simile al Ral 9016)

Acciaio verniciato "Alucompact® grigio sabbia" (simile al Ral 9002)

Acciaio verniciato "Alucompact® grigio antracite" (simile al Ral 7015)

Acciaio verniciato nero (simile al Ral 9004)

Gamba terminale

Codice	Profondità	Finitura gamba	Prezzi EURO	colli: m ²	Kg
02CAV01	55	alluminio anodizzato	1	0,22	10
		alluminio verniciato			
02CAV02	80	alluminio anodizzato	1	0,22	10,2
		alluminio verniciato			
02CAV03	90	alluminio anodizzato	1	0,22	10,3
		alluminio verniciato			
02CAV04	100	alluminio anodizzato	1	0,22	10,5
		alluminio verniciato			
02CAV01A	124	alluminio anodizzato	1	0,26	11
		alluminio verniciato			

Optionals

Codice	Descrizione	Prezzi EURO	colli: m ²	Kg
02GTA01	✂️ taglio gamba a misura	-	-	-
02CRU01	coppia ruote con freno	-	-	1

Gamba intermedia

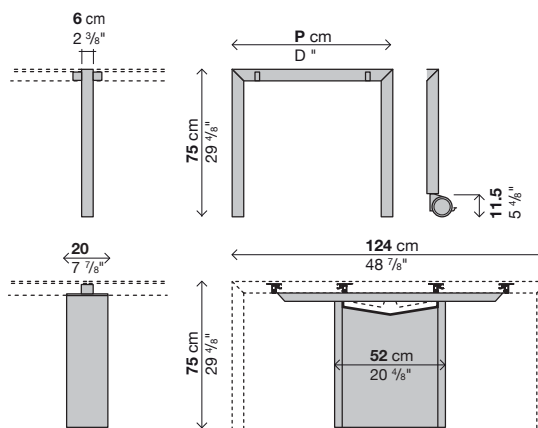
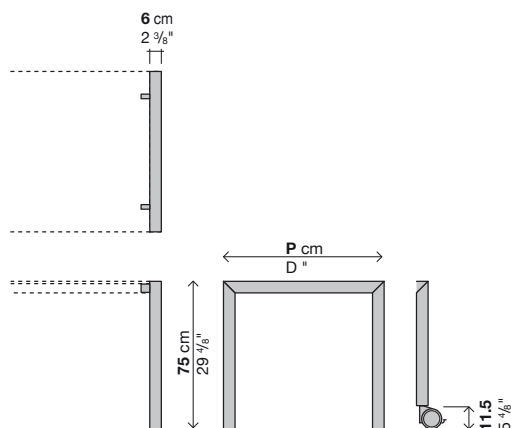
Codice	Profondità	Finitura gamba	Prezzi EURO	colli: m ²	Kg
02CAV12	80	alluminio anodizzato	1	0,22	10,5
		alluminio verniciato			
02CAV13	90	alluminio anodizzato	1	0,22	10,6
		alluminio verniciato			
02CAV14	100	alluminio anodizzato	1	0,22	10,7
		alluminio verniciato			
02CAV11A	124	alluminio anodizzato	1	0,26	12
		alluminio verniciato			

Optionals

Codice	Descrizione	Prezzi EURO	colli: m ²	Kg
02GTA01	✂️ taglio gamba a misura	-	-	-
02CRU01	coppia ruote con freno	-	-	1

Colonna centrale

Codice	Profondità	Finitura	Prezzi EURO	colli: m ²	Kg
02TOR01	124	acciaio verniciato	1	0,14	19,5



Sushi componibile

Porta CPU/Rete cablaggio/Vertebra

Finitura porta CPU:

Metacrilato opalino

Finitura rete cablaggio:

Materiale plastico ignifugo

Finitura vertebra:

Metacrilato opalino

Porta CPU

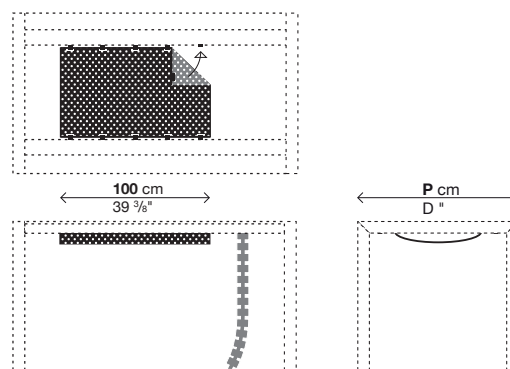
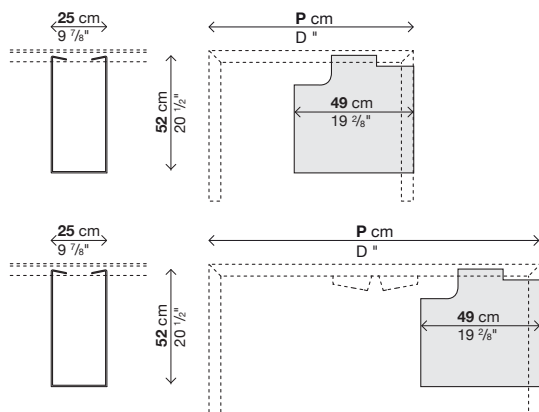
Codice	P	Finitura	Prezzi EURO	colli	m ³	Kg
02CPU01	80	metacrilato opalino		1	0,14	5,5
02CPU02	90	metacrilato opalino		1	0,14	5,5
02CPU03	100	metacrilato opalino		1	0,14	5,5
02CPU04	124	metacrilato opalino		1	0,14	5,5
02CPU05	160	metacrilato opalino		1	0,14	5,5

Rete cablaggio

Codice	P	Finitura	Prezzi EURO	colli	m ³	Kg
02RET01	80	materiale plastico ignifugo		1	0,07	1
02RET02	90	materiale plastico ignifugo		1	0,07	1
02RET03	100	materiale plastico ignifugo		1	0,07	1
02RET04	124	materiale plastico ignifugo		1	0,07	1

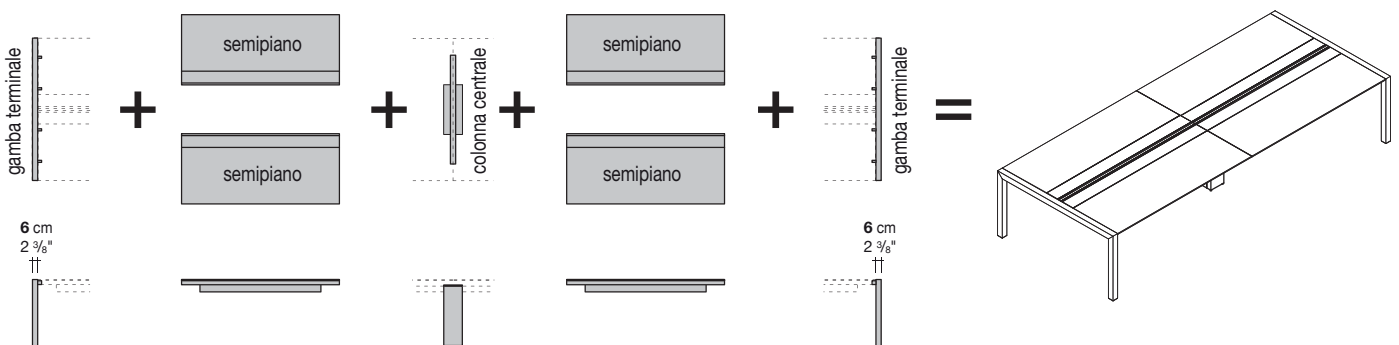
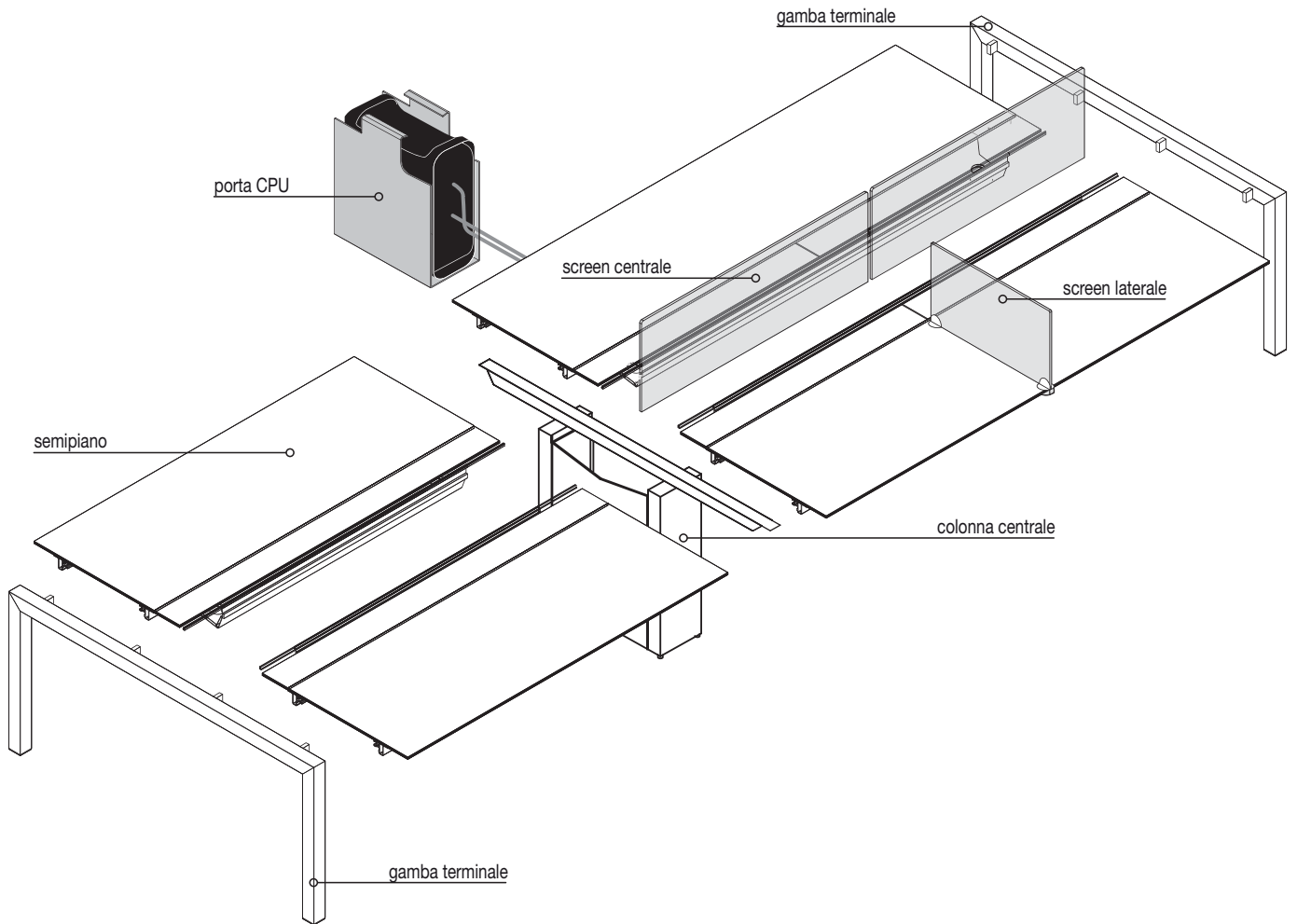
Vertebra

Codice	Finitura	Prezzi EURO	colli	m ³	Kg
02VER01	metacrilato opalino		1	0,007	1,5



Sushi Workstation componibile

Schema di assemblaggio



Sushi Workstation componibile

Semipiano in Alucompact®

Finitura piano/aletta di chiusura:

Laminato Alucompact® bianco

Laminato Alucompact® grigio sabbia

Laminato Alucompact® grigio antracite

Laminato Alucompact® nero

→ Su richiesta (per quantità) è possibile realizzare i piani in diversi materiali: laminato Pure-white, Fenix-NTM®, vetro.

→ Attenzione: le misure o le finiture contrassegnate con (!) hanno tempi di produzione più lunghi, circa 6 settimane dalla data dell'ordine.

→ I tavoli che in estensione superano i 250 cm presentano una leggera flessione del piano, che rientra negli standard di qualità accettati.

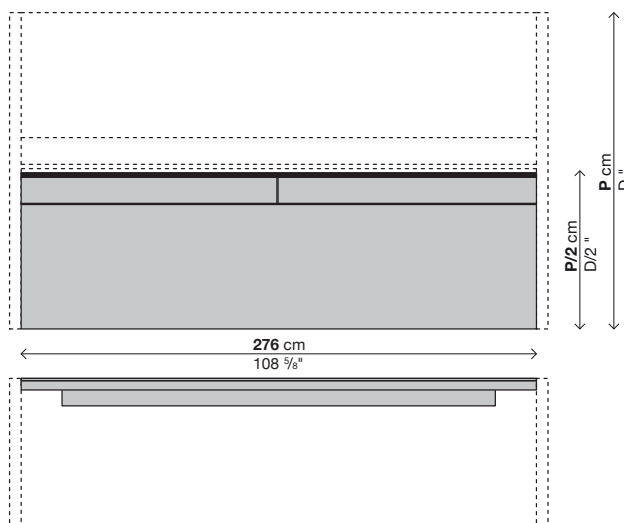
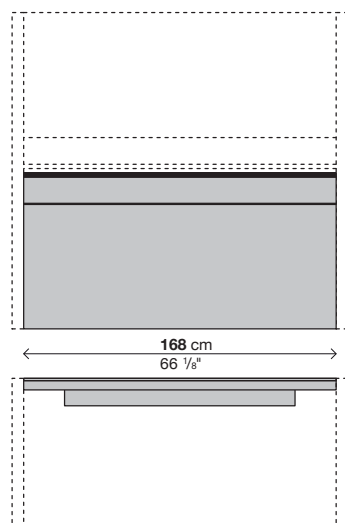
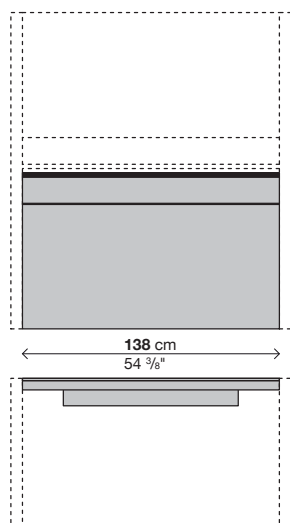
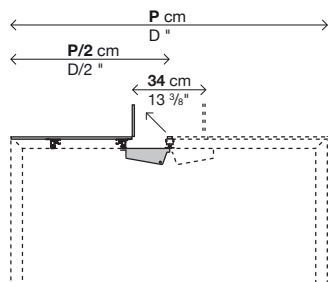
→ Imballi rinforzati vedi pag. 205.

Workstation P.124 cm

Codice	L x P/2	Finitura piano	Prezzi EURO	colli	m ²	Kg
02WSU01A	138 x 62	laminato Alucompact (!)		1	0,21	31
02WSU02A	168 x 62	laminato Alucompact (!)		1	0,26	38
02WSU03A	276 x 62	laminato Alucompact (!)		1	0,41	61

Workstation P.160 cm

Codice	L x P/2	Finitura piano	Prezzi EURO	colli	m ²	Kg
02WSU04A	138 x 80	laminato Alucompact (!)		1	0,27	36
02WSU05A	168 x 80	laminato Alucompact (!)		1	0,32	44
02WSU06A	276 x 80	laminato Alucompact (!)		1	0,52	69



Sushi Workstation componibile

Gamba terminale/Colonna centrale

Finitura gambe:

Alluminio anodizzato

Alluminio verniciato bianco (simile al Ral 9016)

Alluminio verniciato "Alucompact® grigio sabbia" (simile al Ral 9002)

Alluminio verniciato "Alucompact® grigio antracite" (simile al Ral 7015)

Alluminio verniciato nero (simile al Ral 9004)

Finitura colonna:

Acciaio verniciato grigio alluminio (simile al Ral 7042)

Acciaio verniciato bianco (simile al Ral 9016)

Acciaio verniciato "Alucompact® grigio sabbia" (simile al Ral 9002)

Acciaio verniciato "Alucompact® grigio antracite" (simile al Ral 7015)

Acciaio verniciato nero (simile al Ral 9004)

Gamba terminale

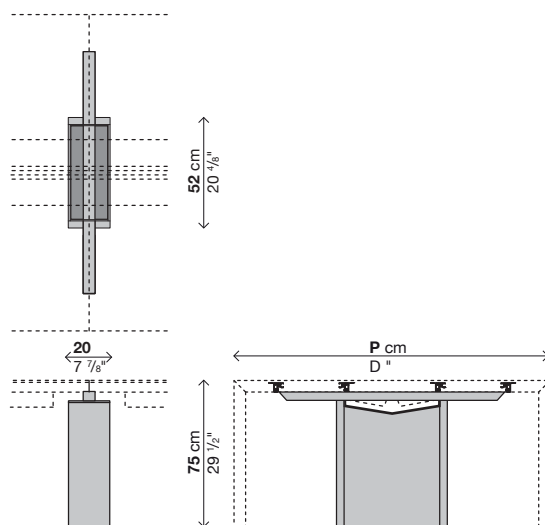
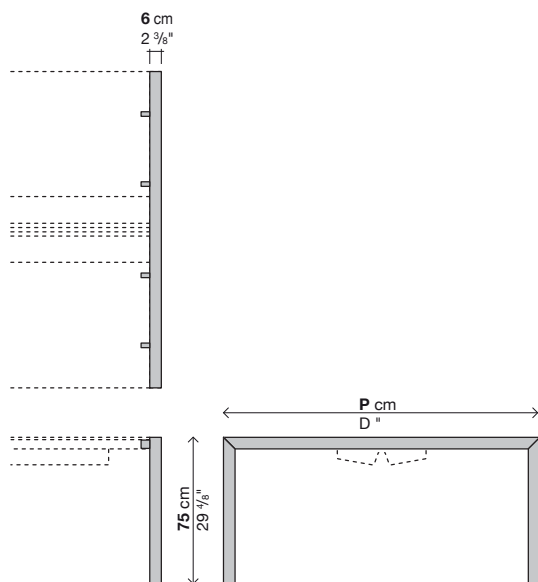
Codice	Profondità	Finitura gamba	Prezzi EURO	colli	m ²	Kg
02CAV01A	124	alluminio anodizzato		1	0,26	11
		alluminio verniciato				
02CAV04A	160	alluminio anodizzato		1	0,32	13,5
		alluminio verniciato				

Optionals

Codice	Descrizione	Prezzi EURO	colli	m ²	Kg
02GTA01	✂️ taglio gamba a misura	-	-	-	-

Colonna centrale

Codice	Profondità	Finitura	Prezzi EURO	colli	m ²	Kg
02TOR01	124	acciaio verniciato		1	0,14	19,5
02TOR02	160	acciaio verniciato		1	0,14	20,5



Sushi Workstation componibile

Screen centrale/Screen laterale

Finitura:

Metacrilato opalino

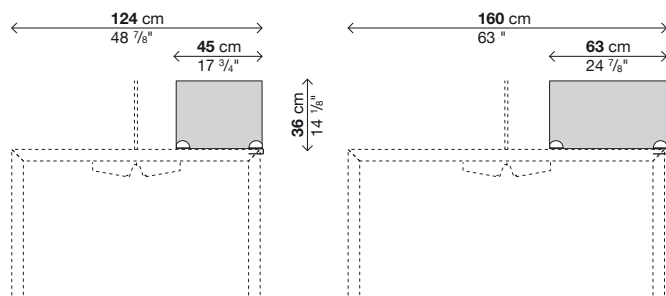
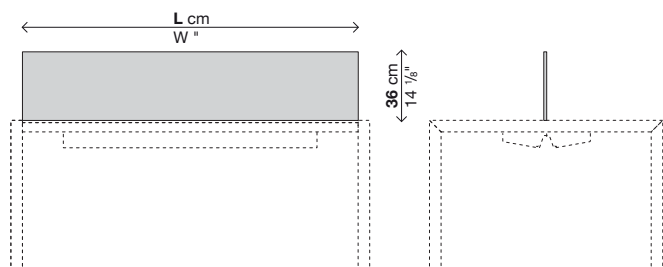
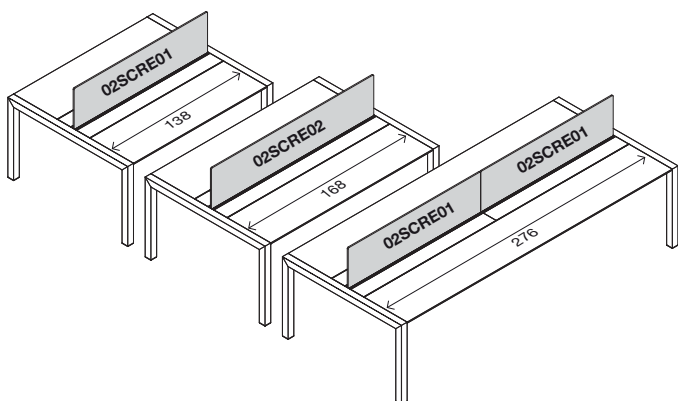
→ Su richiesta (per quantità) è possibile realizzare gli screen in tessuto Divina MD / Divina Melange 2 (Kvadrat®).

Screen centrale

Codice	L x P	Finitura	Prezzi EURO	colli	m ³	Kg
02SCRE01	138 x 36	metacrilato opalino		1	0,04	5
02SCRE02	168 x 36	metacrilato opalino		1	0,05	8

Screen laterale

Codice	L x P/2	Finitura	Finitura metallo	Prezzi EURO	colli	m ³	Kg
02SCRE03	45 x 36	metacrilato opalino	vern. grigio		1	0,012	2
			vern. bianco				
			vern. nero				
02SCRE04	63 x 36	metacrilato opalino	vern. grigio		1	0,017	3
			vern. bianco				
			vern. nero				



Sushi Workstation componibile

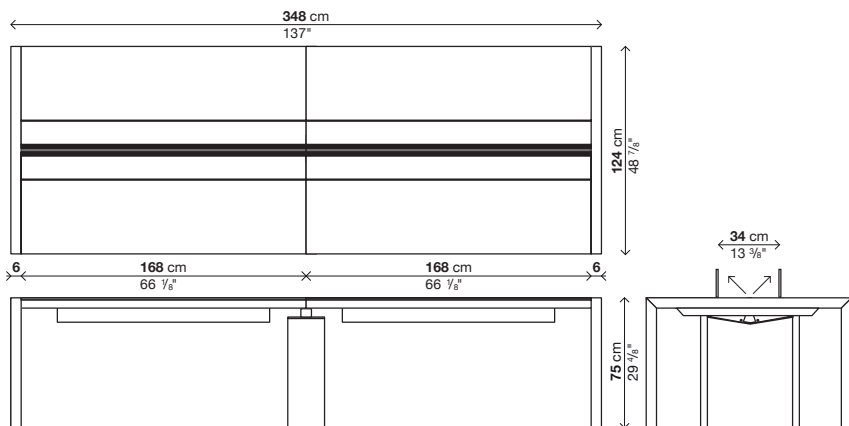
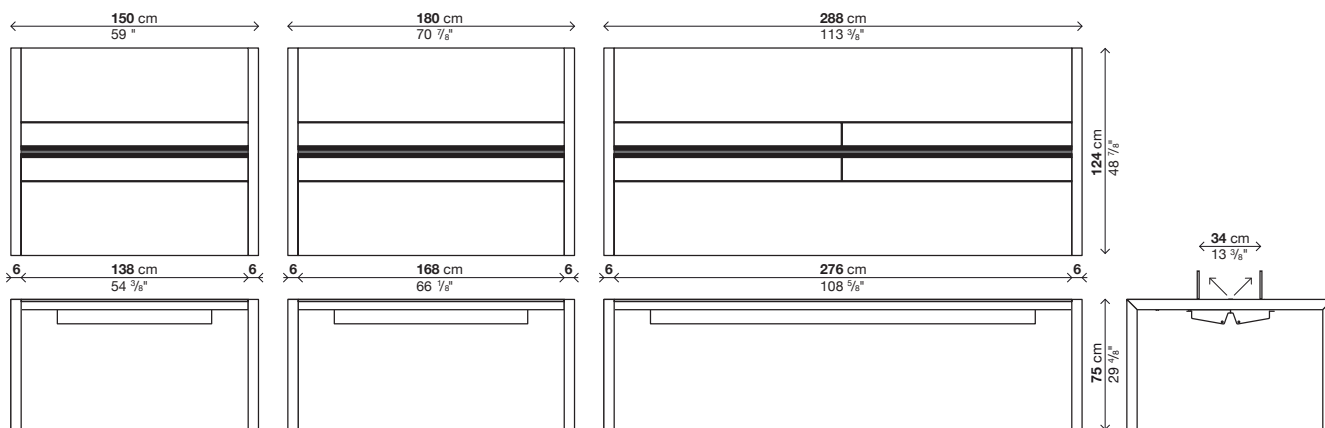
Composizioni Prof. 124 cm.

→ *Attenzione: le misure o le finiture contrassegnate con (!) hanno tempi di produzione più lunghi, circa 6 settimane dalla data dell'ordine.*

→ *I tavoli che in estensione superano i 250 cm presentano una leggera flessione del piano, che rientra negli standard di qualità accettati.*

→ *Imballi rinforzati vedi pag. 205.*

L x P	Codici	Finitura gamba	Finitura colonna	Finitura piano	Prezzi EURO	coll. m ³	Kg
150 x 124 (!)	02WSU01A (x2) + 02CAV01A (x2)	alluminio anodizzato		laminato Alucompact		4	0,94 - 86
180 x 124 (!)	02WSU02A (x2) + 02CAV01A (x2)	alluminio anodizzato		laminato Alucompact		4	1,04 - 100
288 x 124 (!)	02WSU03A (x2) + 02CAV01A (x2)	alluminio anodizzato		laminato Alucompact		4	1,35 - 146
348 x 124 (!)	02WSU02A (x4) + 02CAV01A (x2) + 02TOR01	alluminio anodizzato	acciaio verniciato	laminato Alucompact		7	1,7 - 197



Sushi Workstation componibile

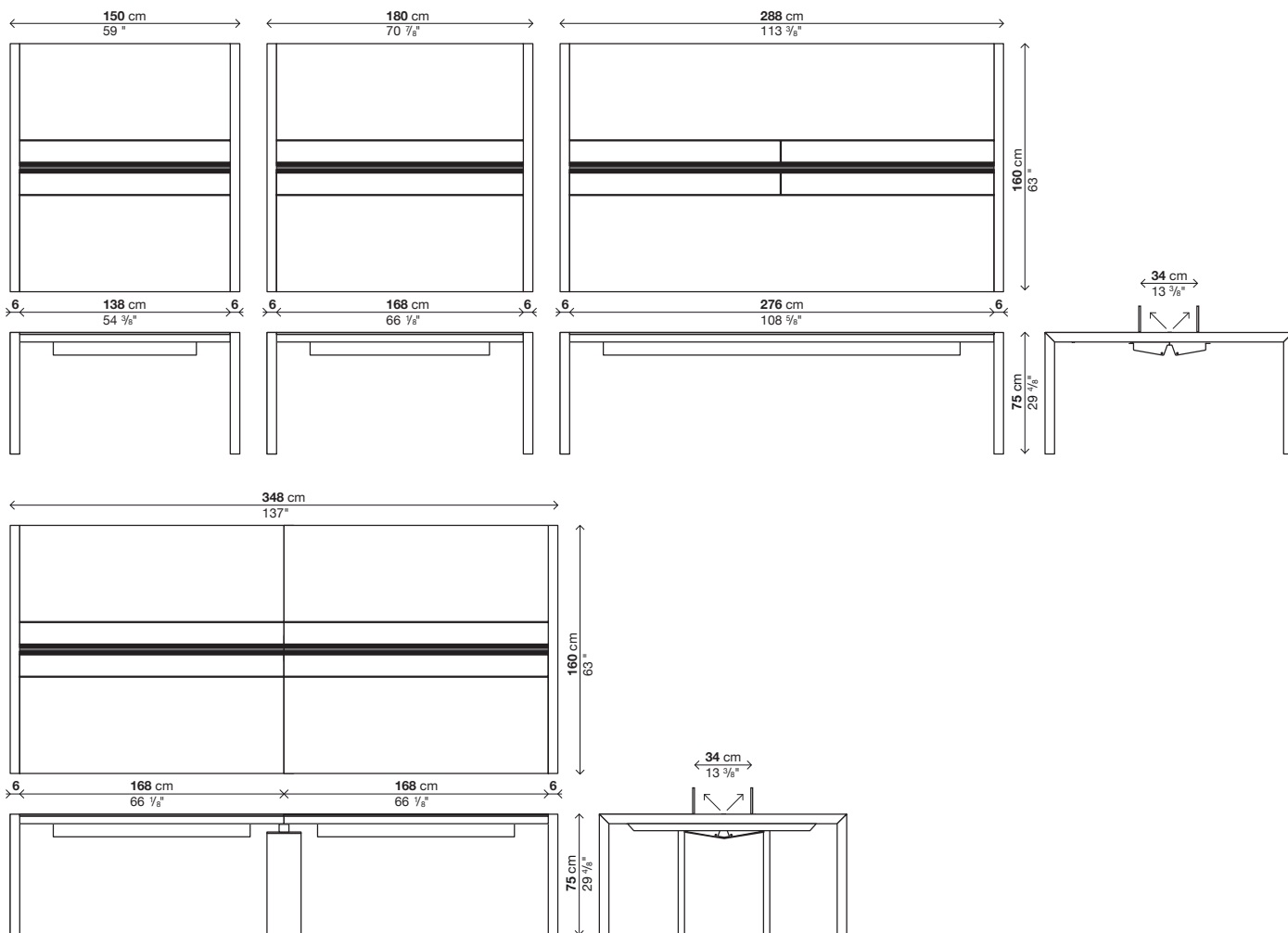
Composizioni Prof. 160 cm.

→ *Attenzione: le misure o le finiture contrassegnate con (!) hanno tempi di produzione più lunghi, circa 6 settimane dalla data dell'ordine.*

→ *I tavoli che in estensione superano i 250 cm presentano una leggera flessione del piano, che rientra negli standard di qualità accettati.*

→ *Imballi rinforzati vedi pag. 205.*

L x P	Codici	Finitura gamba	Finitura colonna	Finitura piano	Prezzi EURO	coll. m ³ Kg
150 x 160 (!)	02WSU04A (x2) + 02CAV04A (x2)	alluminio anodizzato		laminato Alucompact		4 1,18 100
180 x 160 (!)	02WSU05A (x2) + 02CAV04A (x2)	alluminio anodizzato		laminato Alucompact		4 1,28 115
288 x 160 (!)	02WSU06A (x2) + 02CAV04A (x2)	alluminio anodizzato		laminato Alucompact		4 1,7 165
348 x 160 (!)	02WSU05A (x4) + 02CAV04A (x2) + 02TOR02	alluminio anodizzato	acciaio verniciato	laminato Alucompact		7 2,06 224



Sushi Dimensions

Prof. 80 cm
Depth 314/8"

80 80 cm 314/8"	→ Alucompact® → Pure-white → Verre
125 cm 492/8"	→ Alucompact® → Pure-white → Verre
125/165/205 cm 492/8/65/803/4"	→ Alucompact® → Pure-white → Verre
150 cm 59"	→ Alucompact® → Pure-white → Verre
150/190/230 cm 59/747/8/904/8" *	→ Alucompact® → Pure-white → Verre
177 cm 693/4"	→ Alucompact® → Pure-white → Verre
177/217/257 cm 693/4/854/8/1012/8" *	→ Alucompact® → Pure-white → Verre
200 cm 783/4"	→ Alucompact® → Pure-white → Verre
220 cm 865/8"	→ Alucompact® → Pure-white → Verre
240 cm 944/8"	→ Alucompact® → Pure-white → Verre
260 cm 1023/8"	→ Alucompact® → Pure-white → Verre
280 cm 1102/8"	→ Alucompact® → Pure-white → Verre
300 cm 1181/8"	→ Alucompact® → Pure-white → Verre

Prof. 90 cm
Depth 353/8"

90 90 cm 353/8"	→ Alucompact® → Pure-white → Verre
125 cm 492/8"	→ Alucompact® → Pure-white → Verre
150 cm 59"	→ Alucompact® → Pure-white → Fenix-NTM® → Verre → DEKTON®
150/187/224 cm 59/735/8/882/8" *	→ Alucompact® → Pure-white → Fenix-NTM® → Verre
150/187/224 cm 59/735/8/882/8"	→ DEKTON®
177 cm 693/4"	→ Alucompact® → Pure-white → Fenix-NTM® → Verre → DEKTON®
177/214/251/288 cm 693/4/842/8/987/8/1133/8"	→ Alucompact® → Pure-white → Fenix-NTM® → Verre
177/214/251 cm 693/4/842/8/987/8"	→ DEKTON®
200 cm 783/4"	→ Alucompact® → Pure-white → Fenix-NTM® → Verre → DEKTON®
200/237/274 cm 783/4/931/4/1077/8" *	→ Alucompact® → Pure-white → Fenix-NTM® → Verre
200/237/274 cm 783/4/931/4/1077/8"	→ DEKTON®
220 cm 865/8"	→ Alucompact® → Pure-white → Fenix-NTM® → Verre
220/257/294 cm 865/8/1012/8/1161/8" *	→ Alucompact® → Pure-white → Fenix-NTM® → Verre
240 cm 944/8"	→ Alucompact® → Pure-white → Verre
260 cm 1023/8"	→ Alucompact® → Pure-white → Verre
280 cm 1102/8"	→ Alucompact® → Pure-white → Verre
300 cm 1181/8"	→ Alucompact® → Pure-white → Verre

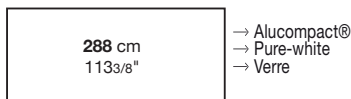
Prof. 100 cm
Depth 393/8"

100 100 cm 393/8"	→ Alucompact® → Pure-white → Verre
100/170 cm 393/8/67"	→ Alucompact® → Pure-white → Verre
150 cm 59"	→ Alucompact® → Pure-white → Verre
177 cm 693/4"	→ Alucompact® → Pure-white → Fenix-NTM® → Verre → DEKTON®
177/224/271 cm 693/4/885/8/1063/4" *	→ Alucompact® → Pure-white → Fenix-NTM® → Verre
177/214/251 cm 693/4/842/8/987/8"	→ DEKTON®
200 cm 783/4"	→ Alucompact® → Pure-white → Fenix-NTM® → Verre → DEKTON®
200/247/294 cm 783/4/972/8/1153/4" *	→ Alucompact® → Pure-white → Fenix-NTM® → Verre
200/237/274 cm 783/4/931/4/1077/8"	→ DEKTON®
220 cm 865/8"	→ Alucompact® → Pure-white → Fenix-NTM® → Verre
220/267/314 cm 865/8/1051/8/1233/4" *	→ Alucompact® → Pure-white → Fenix-NTM® → Verre
240 cm 944/8"	→ Alucompact® → Pure-white → Verre → DEKTON®
260 cm 1023/8"	→ Alucompact® → Pure-white → Verre
280 cm 1102/8"	→ Alucompact® → Pure-white → Verre → DEKTON®
300 cm 1181/8"	→ Alucompact® → Pure-white → Verre

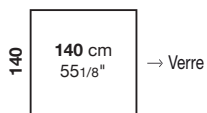
* = 3ème rallonge supplémentaire (sur demande)

Plateaux

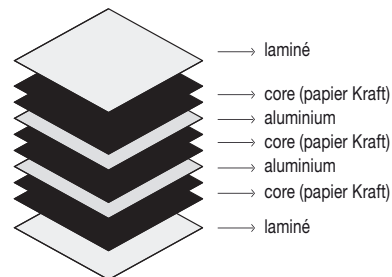
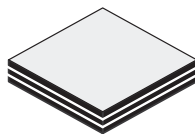
Prof. 124 cm
Depth 487/8"



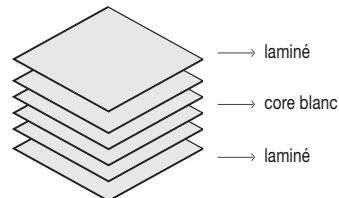
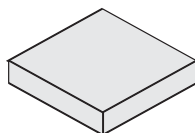
Prof. 140 cm
Depth 551/8"



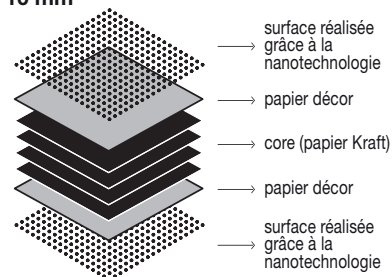
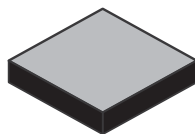
Alucompact® Ép. 10 mm



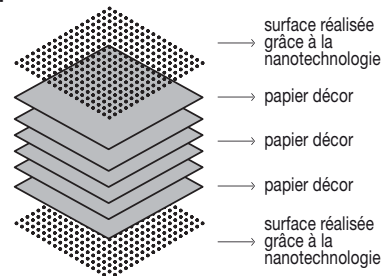
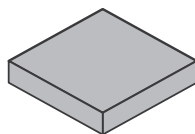
Pure-white Ép. 10 mm



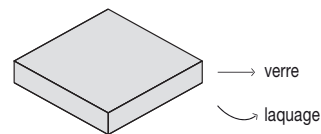
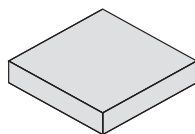
Fenix-NTM® chant noir Ép. 10 mm



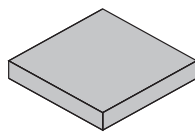
Fenix-NTM® chant coloré Ép. 10 mm



Verre Ép. 10 mm



DEKTON® by Cosentino Ép. 8 mm



Dekton est un mélange sophistiqué de matières premières utilisées pour la fabrication du verre, de céramique de dernière génération et de surfaces en quartz de très haute qualité

Sushi Alucompact® / Pure-white

Extensible - Prof. 80 cm.

Finition piètement:

Aluminium anodisé

Aluminium laqué blanc (semblable au Ral 9016)

Aluminium laqué "Alucompact® gris sabbia" (semblable au Ral 9002)

Aluminium laqué "Alucompact® gris anthracite" (semblable au Ral 7015)

Aluminium laqué noir (semblable au Ral 9004)

Finition du plateau/rallonges:

Stratifié Alucompact® (blanc, gris sabbia, gris anthracite, noir)

Laminé Pure-white blanc

→ Pour les modèles de table marqués d'un astérisque (*), il est possible d'ajouter une troisième rallonge pour augmenter davantage l'extension.

→ Attention: les dimensions et les finitions marquées par un point d'exclamation (!) ont des délais de production plus longs (environ 6 semaines à partir de la date de la commande).

→ Les tables qui une fois allongées font plus de 250 cm présentent une légère flexion du plateau qui respecte les standards de qualité acceptés.

→ Emballages renforcés voir page 205.


Extensible (►)

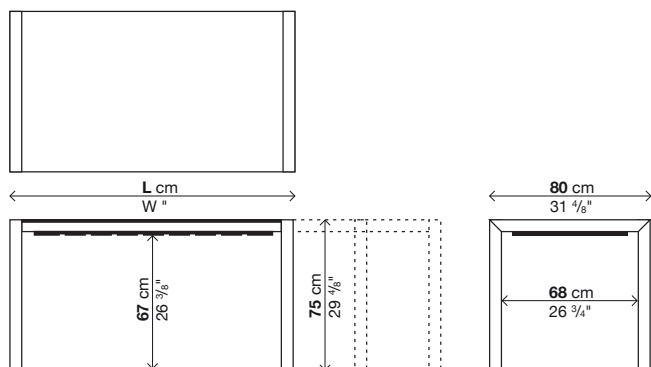
Code	Longueur (L)	Prof.	Pieds	Plateau	Prix en EURO	Cols	m ²	Kg
01SUS01	125-165-205	80	aluminium	Alucompact	3	0,32	55	
				Pure-white (!)				
			laqué	Alucompact				
				Pure-white (!)				
01SUS03*	150-190-230	80	aluminium	Alucompact	3	0,37	61	
				Pure-white (!)				
			laqué	Alucompact				
				Pure-white (!)				
01SUS08*	177-217-257	80	aluminium	Alucompact	3	0,42	67	
				Pure-white (!)				
			laqué	Alucompact				
				Pure-white (!)				

(*) 3ème rallonge supplémentaire

Code	Longueur (L)	Rallonge	Prix en EURO	Cols	m ²	Kg
50SUS05A	33	Alucompact Pure-white		1	0,025	6

Optionals

Code		Prix en EURO	Cols	m ²	Kg
02GTA02	 coupe des pieds sur mesure		-	-	-



Sushi Alucompact® / Pure-white

Fixe - Prof. 80 cm.

Finition piètement:

Aluminium anodisé

Aluminium laqué blanc (semblable au Ral 9016)

Aluminium laqué "Alucompact® gris sabbia" (semblable au Ral 9002)

Aluminium laqué "Alucompact® gris anthracite" (semblable au Ral 7015)

Aluminium laqué noir (semblable au Ral 9004)

Finition du plateau:

Stratifié Alucompact® (blanc, gris sabbia, gris anthracite, noir)

Laminé Pure-white blanc

→ Attention: les dimensions et les finitions marquées par un point d'exclamation (!) ont des délais de production plus longs (environ 6 semaines à partir de la date de la commande).

→ Les tables qui une fois allongées font plus de 250 cm présentent une légère flexion du plateau qui respecte les standards de qualité acceptés.

→ Emballages renforcés voir page 205.


Fixe (II)

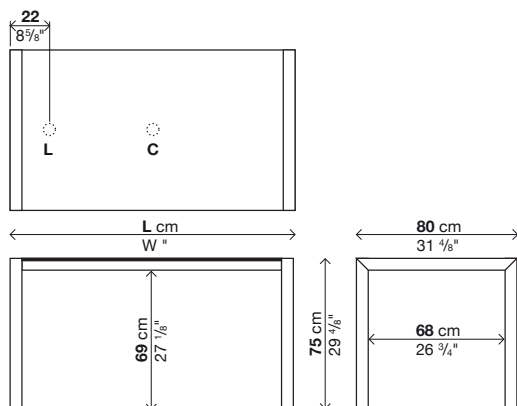
Code	Longueur (L)	Prof.	Pieds	Plateau	Prix en EURO	Coûts	m ²	Kg
01SUS10F	80	80	aluminium	Alucompact	1	0,18	26	
				Pure-white (!)				
			laqué	Alucompact				
				Pure-white (!)				
01SUS01F	125	80	aluminium	Alucompact	1	0,27	35	
				Pure-white (!)				
			laqué	Alucompact				
				Pure-white (!)				
01SUS03F	150	80	aluminium	Alucompact	1	0,32	41	
				Pure-white (!)				
			laqué	Alucompact				
				Pure-white (!)				
01SUS32F	177	80	aluminium	Alucompact (!)	1	0,37	47	
				Pure-white (!)				
			laqué	Alucompact (!)				
				Pure-white (!)				
01SUS34F	200	80	aluminium	Alucompact	1	0,41	52	
				Pure-white (!)				
			laqué	Alucompact				
				Pure-white (!)				

Fixe (II)

Code	Longueur (L)	Prof.	Pieds	Plateau	Prix en EURO	Coûts	m ²	Kg
01SUS38F	220	80	aluminium	Alucompact (!)	1	0,45	56	
				Pure-white (!)				
			laqué	Alucompact (!)				
				Pure-white (!)				
01SUS43F	240	80	aluminium	Alucompact (!)	1	0,49	60	
				Pure-white (!)				
			laqué	Alucompact (!)				
				Pure-white (!)				
01SUS48F	260	80	aluminium	Alucompact (!)	1	0,53	65	
				Pure-white (!)				
			laqué	Alucompact (!)				
				Pure-white (!)				
01SUS51F	280	80	aluminium	Alucompact (!)	1	0,57	68	
				Pure-white (!)				
			laqué	Alucompact (!)				
				Pure-white (!)				
01SUS55F	300	80	aluminium	Alucompact (!)	1	0,61	72	
				Pure-white (!)				
			laqué	Alucompact (!)				
				Pure-white (!)				

Optionals

Code			Prix en EURO	Coûts	m ²	Kg
02GTA02		coupe des pieds sur mesure	-	-	-	-
02FOR01	Ø6	passer-câbles latérale ou central	-	-	-	-
02RET01		câblage, matière plastique	1	0,07	1	
02VER01		vertèbre, méthacrylate opaline	1	0,007	1,5	
02CPU01		support CPU, méthacrylate opaline	1	0,14	5,5	



Sushi Alucompact® / Pure-white / Fenix-NTM®

Extensible - Prof. 90 cm.

Finition piètement:

Aluminium anodisé

Aluminium laqué blanc (semblable au Ral 9016)

Aluminium laqué "Alucompact® gris sabbia" (semblable au Ral 9002)

Aluminium laqué "Alucompact® gris anthracite" (semblable au Ral 7015)

Aluminium laqué "Fenix-NTM® gris Londra" (semblable au Ral Design0805005)

Aluminium laqué "Fenix-NTM® gris Bromo" (semblable au Ral 7012)

Aluminium laqué noir (semblable au Ral 9004)

Finition du plateau/rallonges:

Stratifié Alucompact® (blanc, gris sabbia, gris anthracite, noir)

Laminé Pure-white blanc

Fenix-NTM® chant noir (blanc Kos 0032, gris Londra 0718, gris Bromo 0724, noir Ingo 0720)

Fenix-NTM® chant coloré (blanc Kos 0032, gris Londra 0718)

→ Pour les modèles de table marqués d'un astérisque (*), il est possible d'ajouter une troisième rallonge pour augmenter davantage l'extension.

→ Attention: les dimensions et les finitions marquées par un point d'exclamation (!) ont des délais de production plus longs (environ 6 semaines à partir de la date de la commande).

→ Les tables qui une fois allongées font plus de 250 cm présentent une légère flexion du plateau qui respecte les standards de qualité acceptés.

→ Emballages renforcés voir page 205.


Extensible (►)

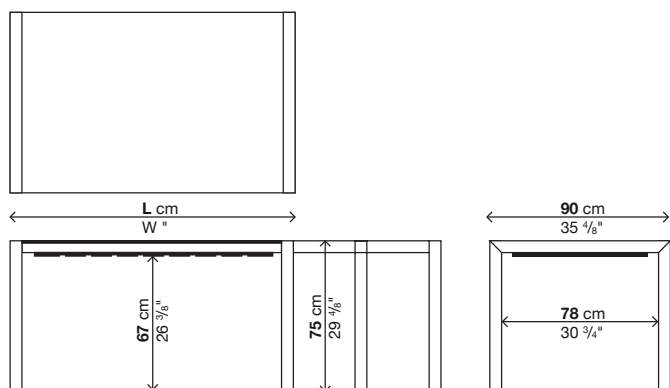
Code	Longueur (L)	Prof.	Pieds	Plateau	Prix en EURO	Coûts	m ²	Kg
01SUS07*	150-187-224	90	aluminium	Alucompact	3	0,41	71	
				Pure-white				
				Fenix chant noir				
			laqué	Fenix chant coloré				
				Alucompact				
				Pure-white				
01SUS06	177-214-251-288 <i>3eme extension compris standard</i>	90	aluminium	Alucompact	4	0,5	81	
				Pure-white				
				Fenix chant noir				
			laqué	Fenix chant coloré				
				Alucompact				
				Pure-white				
01SUS09*	200-237-274	90	aluminium	Alucompact	3	0,51	82	
				Pure-white				
				Fenix chant noir				
			laqué	Fenix chant coloré				
				Alucompact				
				Pure-white				
01SUS35*	220-257-294	90	aluminium	Alucompact (!)	3	0,55	88	
				Pure-white (!)				
				Fenix chant noir (!)				
			laqué	Fenix chant coloré (!)				
				Alucompact (!)				
				Pure-white (!)				

(*) 3ème rallonge supplémentaire

Code	Longueur (L)	Rallonge	Prix en EURO	Coûts	m ²	Kg
50SUS02A	37,5	Alucompact	1	0,025	6,5	
		Pure-white				
		Fenix chant noir				
		Fenix chant coloré				

Optionals

Code			Prix en EURO	Coûts	m ²	Kg
02GTA02		coupe des pieds sur mesure	-	-	-	-



Sushi Alucompact® / Pure-white / Fenix-NTM®

Fixe - Prof. 90 cm.

Finition piètement:

Aluminium anodisé

Aluminium laqué blanc (semblable au Ral 9016)

Aluminium laqué "Alucompact® gris sabbia" (semblable au Ral 9002)

Aluminium laqué "Alucompact® gris anthracite" (semblable au Ral 7015)

Aluminium laqué "Fenix-NTM® gris Londra" (semblable au Ral Design0805005)

Aluminium laqué "Fenix-NTM® gris Bromo" (semblable au Ral 7012)

Aluminium laqué noir (semblable au Ral 9004)

Finition du plateau:

Stratifié Alucompact® (blanc, gris sabbia, gris anthracite, noir)

Laminé Pure-white blanc

Fenix-NTM® chant noir (blanc Kos 0032, gris Londra 0718, gris Bromo 0724, noir Ingo 0720)

Fenix-NTM® chant coloré (blanc Kos 0032, gris Londra 0718)

→ Attention: les dimensions et les finitions marquées par un point d'exclamation (!) ont des délais de production plus longs (environ 6 semaines à partir de la date de la commande).

→ Les tables qui une fois allongées font plus de 250 cm présentent une légère flexion du plateau qui respecte les standards de qualité acceptés.

→ Les tables longueur 280 et 300 cm présentent au centre une traverse sous-plateau de support, conséquence: les ouvertures passe-câbles ne pourront pas être centrées exactement par rapport à la profondeur de la table mais il faudra donc les déplacer légèrement.

→ Emballages renforcés voir page 205.


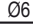
Fixe (II)

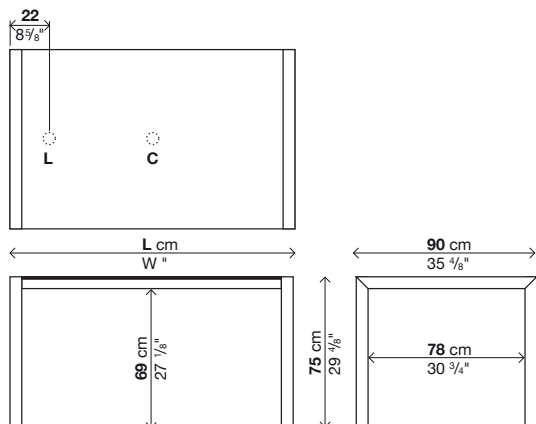
Code	Longueur (L)	Prof.	Pieds	Plateau	Prix en EURO	Cols	m ²	Kg
01SUS57F	90	90	aluminium	Alucompact	1	0,23	30	
				Pure-white				
			laqué	Alucompact	1	0,3	41	
				Pure-white				
01SUS59F	125	90	aluminium	Alucompact	1	0,3	41	
				Pure-white				
			laqué	Alucompact	1	0,3	41	
				Pure-white				
01SUS07F	150	90	aluminium	Alucompact	1	0,36	46	
				Pure-white				
				Fenix chant noir				
			laqué	Fenix chant coloré				
				Alucompact				
				Pure-white				
01SUS06F	177	90	aluminium	Alucompact	1	0,42	52	
				Pure-white				
				Fenix chant noir				
			laqué	Fenix chant coloré				
				Alucompact				
				Pure-white				
01SUS64F	200	90	aluminium	Alucompact	1	0,46	57	
				Pure-white				
				Fenix chant noir				
			laqué	Fenix chant coloré				
				Alucompact				
				Pure-white				

Fixe (II)

Code	Longueur (L)	Prof.	Pieds	Plateau	Prix en EURO	Cols	m ²	Kg
01SUS35F	220	90	aluminium	Alucompact (!)	1	0,5	62	
				Pure-white (!)				
				Fenix chant noir (!)				
			laqué	Fenix chant coloré (!)				
				Alucompact (!)				
				Pure-white (!)				
01SUS68F	240	90	aluminium	Alucompact (!)	1	0,55	66	
				Pure-white (!)				
			laqué	Alucompact (!)				
01SUS70F	260	90	aluminium	Alucompact (!)	1	0,59	71	
				Pure-white (!)				
			laqué	Alucompact (!)				
01SUS72F	280	90	aluminium	Alucompact (!)	1	0,63	79	
				Pure-white (!)				
			laqué	Alucompact (!)				
01SUS74F	300	90	aluminium	Alucompact (!)	1	0,67	85	
				Pure-white (!)				
			laqué	Alucompact (!)				

Optionals

Code			Prix en EURO	Cols	m ²	Kg
02GTA02		coupe des pieds sur mesure	-	-	-	-
02FOR01		passer-câbles latérale ou central	-	-	-	-
02RET02		câblage, matière plastique	1	0,07	1	
02VER01		vertèbre, méthacrylate opaline	1	0,007	1,5	
02CPU02		support CPU, méthacrylate opaline	1	0,14	5,5	



Sushi Alucompact® / Pure-white / Fenix-NTM®

Extensible - Prof. 100 cm.

Finition piètement:

Aluminium anodisé

Aluminium laqué blanc (semblable au Ral 9016)

Aluminium laqué "Alucompact® gris sabbia" (semblable au Ral 9002)

Aluminium laqué "Alucompact® gris anthracite" (semblable au Ral 7015)

Aluminium laqué "Fenix-NTM® gris Londra" (semblable au Ral Design0805005)

Aluminium laqué "Fenix-NTM® gris Bromo" (semblable au Ral 7012)

Aluminium laqué noir (semblable au Ral 9004)

Finition du plateau/rallonges:

Stratifié Alucompact® (blanc, gris sabbia, gris anthracite, noir)

Laminé Pure-white blanc

Fenix-NTM® chant noir (blanc Kos 0032, gris Londra 0718, gris Bromo 0724, noir Ingo 0720)

Fenix-NTM® chant coloré (blanc Kos 0032, gris Londra 0718)

→ Pour les modèles de table marqués d'un astérisque (*), il est possible d'ajouter une troisième rallonge pour augmenter davantage l'extension.

→ Les tables qui une fois allongées font plus de 250 cm présentent une légère flexion du plateau qui respecte les standards de qualité acceptés.

→ Emballages renforcés voir page 205.

Extensible (►)

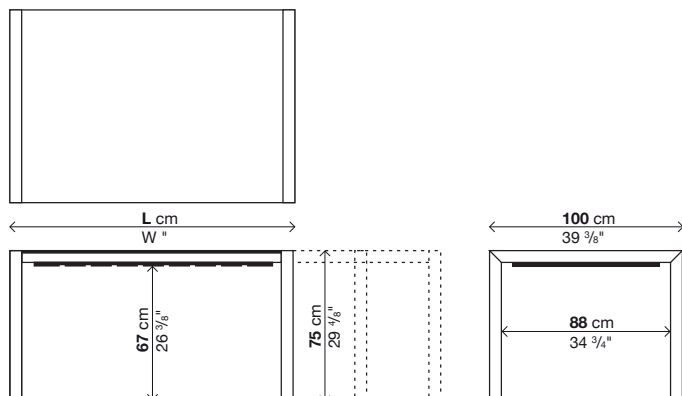
Code	Longueur (L)	Prof.	Pieds	Plateau	Prix en EURO	Coûts	m ²	Kg
01SUS04	100-170	100	aluminium	Alucompact	3	0,33	55	
				Pure-white				
			laqué	Alucompact				
				Pure-white				
01SUS02*	177-224-271	100	aluminium	Alucompact	3	0,52	85	
				Pure-white				
				Fenix chant noir				
				Fenix chant coloré				
			laqué	Alucompact				
				Pure-white				
				Fenix chant noir				
				Fenix chant coloré				
01SUS36*	200-247-294	100	aluminium	Alucompact	3	0,57	92	
				Pure-white				
				Fenix chant noir				
				Fenix chant coloré				
			laqué	Alucompact				
				Pure-white				
				Fenix chant noir				
				Fenix chant coloré				
01SUS05*	220-267-314	100	aluminium	Alucompact	3	0,62	98	
				Pure-white				
				Fenix chant noir				
				Fenix chant coloré				
			laqué	Alucompact				
				Pure-white				
				Fenix chant noir				
				Fenix chant coloré				

(*) 3ème rallonge supplémentaire

Code	Longueur (L)	Rallonge	Prix en EURO	Coûts	m ²	Kg
50SUS06A	33	Alucompact	1	0,035	6	
		Pure-white				
		Fenix chant noir				
		Fenix chant coloré				

Optionals

Code			Prix en EURO	Coûts	m ²	Kg
02GTA02		coupe des pieds sur mesure	-	-	-	-



Sushi Alucompact® / Pure-white / Fenix-NTM®

Fixe - Prof. 100 cm.

Finition piètement:

Aluminium anodisé

Aluminium laqué blanc (semblable au Ral 9016)

Aluminium laqué "Alucompact® gris sabbia" (semblable au Ral 9002)

Aluminium laqué "Alucompact® gris anthracite" (semblable au Ral 7015)

Aluminium laqué "Fenix-NTM® gris Londra" (semblable au Ral Design0805005)

Aluminium laqué "Fenix-NTM® gris Bromo" (semblable au Ral 7012)

Aluminium laqué noir (semblable au Ral 9004)

Finition du plateau:

Stratifié Alucompact® (blanc, gris sabbia, gris anthracite, noir)

Laminé Pure-white blanc

Fenix-NTM® chant noir (blanc Kos 0032, gris Londra 0718, gris Bromo 0724, noir Ingo 0720)

Fenix-NTM® chant coloré (blanc Kos 0032, gris Londra 0718)

→ Attention: les dimensions et les finitions marquées par un point d'exclamation (!) ont des délais de production plus longs (environ 6 semaines à partir de la date de la commande).

→ Les tables qui une fois allongées font plus de 250 cm présentent une légère flexion du plateau qui respecte les standards de qualité acceptés.

→ Les tables longueur 280 et 300 cm présentent au centre une traverse sous-plateau de support, conséquence: les ouvertures passe-câbles ne pourront pas être centrées exactement par rapport à la profondeur de la table mais il faudra donc les déplacer légèrement.

→ Emballages renforcés voir page 205.


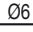
Fixe (II)

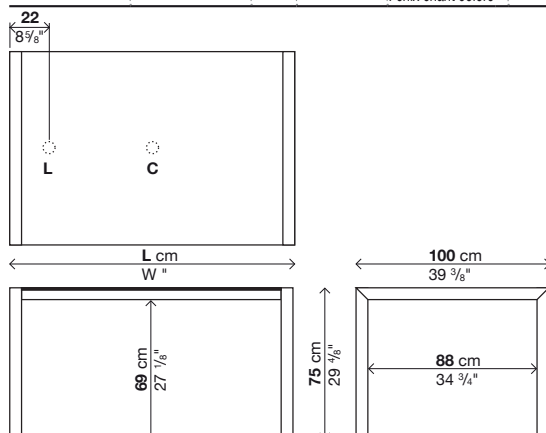
Code	Longueur (L)	Prof.	Pieds	Plateau	Prix en EURO	Coûts	m ²	Kg
01SUS04F	100	100	aluminium	Alucompact	1	0,32	40	
				Pure-white				
			laqué	Alucompact				
				Pure-white				
01SUS78F	150	100	aluminium	Alucompact	1	0,39	50	
				Pure-white				
			laqué	Alucompact				
				Pure-white				
01SUS02F	177	100	aluminium	Alucompact	1	0,45	56	
				Pure-white				
				Fenix chant noir				
			laqué	Fenix chant coloré				
				Alucompact				
				Pure-white				
01SUS08F	200	100	aluminium	Alucompact	1	0,5	62	
				Pure-white				
				Fenix chant noir				
			laqué	Fenix chant coloré				
				Alucompact				
				Pure-white				
01SUS05F	220	100	aluminium	Alucompact	1	0,55	67	
				Pure-white				
				Fenix chant noir				
			laqué	Fenix chant coloré				
				Alucompact				
				Pure-white				

Fixe (II)

Code	Longueur (L)	Prof.	Pieds	Plateau	Prix en EURO	Coûts	m ²	Kg
01SUS09F	240	100	aluminium	Alucompact (!)	1	0,6	72	
				Pure-white (!)				
			laqué	Alucompact (!)				
				Pure-white (!)				
01SUS80F	260	100	aluminium	Alucompact (!)	1	0,65	77	
				Pure-white (!)				
			laqué	Alucompact (!)				
				Pure-white (!)				
01SUS82F	280	100	aluminium	Alucompact (!)	1	0,69	85	
				Pure-white (!)				
			laqué	Alucompact (!)				
				Pure-white (!)				
01SUS36F	300	100	aluminium	Alucompact (!)	1	0,74	90	
				Pure-white (!)				
			laqué	Alucompact (!)				
				Pure-white (!)				

Optionals

Code			Prix en EURO	Coûts	m ²	Kg
02GTA02		coupe des pieds sur mesure	-	-	-	-
02FOR01		passer-câbles latérale ou central	-	-	-	-
02RET03		câblage, matière plastique	1	0,07	1	
02VER01		vertèbre, méthacrylate opaline	1	0,007	1,5	
02CPU03		support CPU, méthacrylate opaline	1	0,14	5,5	



Sushi Alucompact® / Pure-white

Fixe - Prof. 124 cm.

Finition piètement:

Aluminium anodisé

Aluminium laqué blanc (semblable au Ral 9016)

Aluminium laqué "Alucompact® gris sabbia" (semblable au Ral 9002)

Aluminium laqué "Alucompact® gris anthracite" (semblable au Ral 7015)

Aluminium laqué noir (semblable au Ral 9004)

Finition du plateau:

Stratifié Alucompact® (blanc, gris sabbia, gris anthracite, noir)

Laminé Pure-white blanc

→ Attention: les dimensions et les finitions marquées par un point d'exclamation (!) ont des délais de production plus longs (environ 6 semaines à partir de la date de la commande).



→ Les tables qui une fois allongées font plus de 250 cm présentent une légère flexion du plateau qui respecte les standards de qualité acceptés.

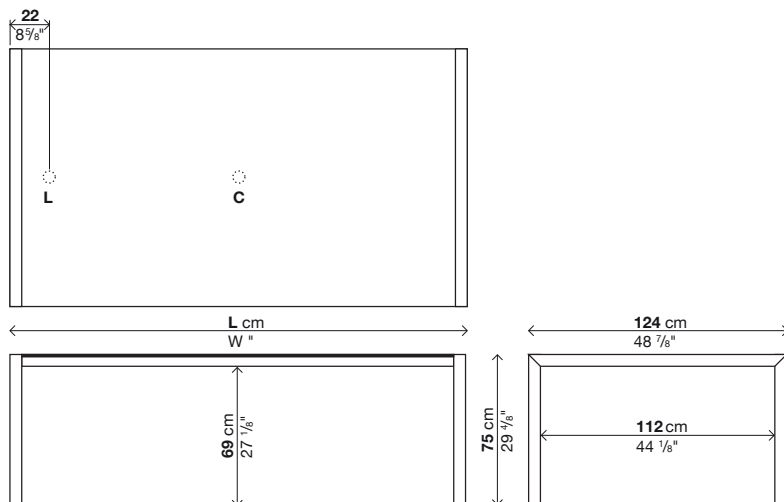
→ Emballages renforcés voir page 205.

Fixe (II)

Code	Longueur (L)	Prof.	Pieds	Plateau	Prix en EURO	Coûts	m ²	Kg
01SUS88F	220	124	aluminium	Alucompact (!)	1	0,66	86	
				Pure-white (!)				
			laqué	Alucompact (!)				
				Pure-white (!)				
01SUS90F	240	124	aluminium	Alucompact (!)	1	0,72	92	
				Pure-white (!)				
			laqué	Alucompact (!)				
				Pure-white (!)				
01SUS92F	288	124	aluminium	Alucompact (!)	1	0,85	108	
				Pure-white (!)				
			laqué	Alucompact (!)				
				Pure-white (!)				

Optionals

Code			Prix en EURO	Coûts	m ²	Kg
02GTA02		coupe des pieds sur mesure	-	-	-	-
02FOR01		passer-câbles latérale ou central	-	-	-	-
02RET04		câblage, matière plastique	1	0,07	1	
02VER01		vertèbre, méthacrylate opaline	1	0,007	1,5	
02CPU04		support CPU, méthacrylate opaline	1	0,14	5,5	



Sushi DEKTON® by Cosentino

Extensible/Fixe - Prof. 90/100 cm.

Finition piètement:

Aluminium anodisé
Aluminium laqué blanc (semblable au Ral 9016)
Aluminium laqué "gris Ventus"

Finition du plateau:

DEKTON® blanc Zenith
DEKTON® gris Ventus
DEKTON® Aura (effet marbre)

Finition des rallonges:

Aluminium laqué blanc (semblable au Ral 9016)
Aluminium laqué "gris Ventus"

→ Attention: les veines imprimées sur la surface des plateaux en DEKTON® Aura (effet marbre) sont disposées de façon aléatoire, ce qui rend chaque plateau unique puisque une reproduction exacte est bien entendu impossible. Cette caractéristique implique qu'il pourrait y avoir des différences par rapport aux échantillons, mais celles-ci ne pourront en aucun cas faire l'objet de contestations au titre d'imperfections ou d'anomalies. Du fait que l'impression réalisée est du type aléatoire, aucune demande concernant l'homogénéité des veines ne pourra être acceptée.

→ Attention: les dimensions et les finitions marquées par un point d'exclamation (!) ont des délais de production plus longs (environ 6 semaines à partir de la date de la commande).

→ Les tables qui une fois allongées font plus de 250 cm présentent une légère flexion du plateau qui respecte les standards de qualité acceptés.

→ Emballages renforcés voir page 205.

Extensible (►)

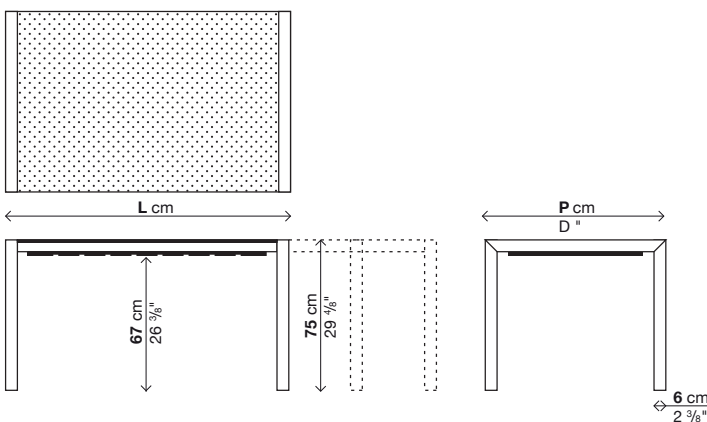
Code	Longueur (L)	Prof.	Pieds	Plateau	Prix en EURO	Coûts m ²	Kg
01SUS07	150-187-224	90	aluminium	DEKTON (!)	3	0,41	89
			laqué	DEKTON (!)			
01SUS06	177-214-251	90	aluminium	DEKTON (!)	3	0,5	102
			laqué	DEKTON (!)			
01SUS09	200-237-274	90	aluminium	DEKTON (!)	3	0,51	105
			laqué	DEKTON (!)			
01SUS02	177-214-251	100	aluminium	DEKTON (!)	3	0,52	108
			laqué	DEKTON (!)			
01SUS36	200-237-274	100	aluminium	DEKTON (!)	3	0,57	118
			laqué	DEKTON (!)			

Fixe (II)

Code	Longueur (L)	Prof.	Pieds	Plateau	Prix en EURO	Coûts m ²	Kg
01SUS07F	150	90	aluminium	DEKTON (!)	1	0,36	60
			laqué	DEKTON (!)			
01SUS06F	177	90	aluminium	DEKTON (!)	1	0,42	69
			laqué	DEKTON (!)			
01SUS64F	200	90	aluminium	DEKTON (!)	1	0,46	76
			laqué	DEKTON (!)			
01SUS02F	177	100	aluminium	DEKTON (!)	1	0,45	74
			laqué	DEKTON (!)			
01SUS08F	200	100	aluminium	DEKTON (!)	1	0,5	83
			laqué	DEKTON (!)			
01SUS09F	240	100	aluminium	DEKTON (!)	1	0,6	97
			laqué	DEKTON (!)			
01SUS82F	280	100	aluminium	DEKTON (!)	1	0,69	115
			laqué	DEKTON (!)			

Optionals

Code	Prof.		Prix en EURO	Coûts m ²	Kg
02GTA02		coupe des pieds sur mesure	-	-	-
02RET01	80	câblage, matière plastique	1	0,07	1
02RET02	90	câblage, matière plastique	1	0,07	1
02RET03	100	câblage, matière plastique	1	0,07	1
02VER01		vertèbre, méthacrylate opaline	1	0,007	1,5
02CPU01	80	support CPU, méthacrylate opaline	1	0,14	5,5
02CPU02	90	support CPU, méthacrylate opaline	1	0,14	5,5
02CPU03	100	support CPU, méthacrylate opaline	1	0,14	5,5



HIGHLY UV RESISTANT



RESISTANT TO ABRASION



RESISTANT TO STAIN



MAXIMUM RESISTANCE TO FIRE AND HEAT



LOW WATER ABSORPTION



HIGH MECHANICAL RESISTANCE



COLOUR STABILITY



DIMENSIONAL STABILITY



FIREPROOF MATERIAL

Sushi verre

Extensible - Prof. 80 cm.

Finition piètement:

Aluminium anodisé

Aluminium laqué blanc (semblable au Ral 9016)

Aluminium laqué noir (semblable au Ral 9004)

Finition du plateau:

Verre brillant coloris standard: extra white, gris anthracite, noir, titane

Verre brillant coloris palette RAL/NCS sur demande

Verre mat coloris: extra white, gris anthracite, noir, titane

Finition des rallonges:

Laminé Alucompact® blanc

Laminé Alucompact® gris sable

Laminé Alucompact® gris anthracite

Laminé Alucompact® noir

→ Pour les modèles de table marqués d'un astérisque (*), il est possible d'ajouter une troisième rallonge pour augmenter davantage l'extension.

→ Attention: les dimensions et les finitions marquées par un point d'exclamation (!) ont des délais de production plus longs (environ 6 semaines à partir de la date de la commande).

→ Attention: les variations de tonalité par rapport aux échantillons choisis sur les nuanciers RAL/NCS sont inévitables puisqu'elles sont dues à la réfraction de la couleur à travers l'épaisseur du verre.
Pour les tonalités de blanc, on n'effectue pas de coloris RAL/NCS sur demande.

→ Les tables qui une fois allongées font plus de 250 cm présentent une légère flexion du plateau qui respecte les standards de qualité acceptés.

→ Emballages renforcés voir page 205.


Extensible (►)

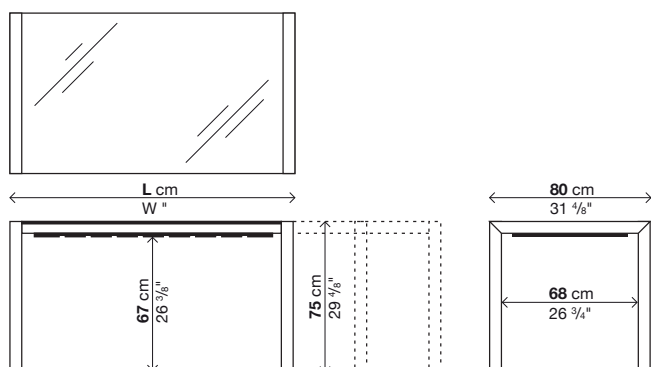
Code	Longueur (L)	Prof.	Pieds	Plateau	Prix en EURO	Coûts	m ²	Kg
01SUS11	125-165-205	80	aluminium	brillant standard	3	0,32	64	
				brillant RAL/NCS (!)				
				verre mat				
			laqué	brillant standard				
				brillant RAL/NCS (!)				
				verre mat				
01SUS13*	150-190-230	80	aluminium	brillant standard	3	0,37	72	
				brillant RAL/NCS (!)				
				verre mat				
			laqué	brillant standard				
				brillant RAL/NCS (!)				
				verre mat				
01SUS16*	177-217-257	80	aluminium	brillant standard	3	0,42	79	
				brillant RAL/NCS (!)				
				verre mat				
			laqué	brillant standard				
				brillant RAL/NCS (!)				
				verre mat				

(*) 3ème rallonge supplémentaire

Code	Longueur (L)	Rallonge	Prix en EURO	Coûts	m ²	Kg
50SUS05A	33	Alucompact		1	0,025	6

Optionals

Code		Prix en EURO	Coûts	m ²	Kg
02GTA02	 coupe des pieds sur mesure		-	-	-



Sushi verre

Fixe - Prof. 80 cm.

Finition piètement:

Aluminium anodisé

Aluminium laqué blanc (semblable au Ral 9016)

Aluminium laqué noir (semblable au Ral 9004)

Finition du plateau:

Verre brillant coloris standard: extra white, gris anthracite, noir, titane

Verre brillant coloris palette RAL/NCS sur demande

Verre mat coloris: extra white, gris anthracite, noir, titane

→ Attention: les dimensions et les finitions marquées par un point d'exclamation (!) ont des délais de production plus longs (environ 6 semaines à partir de la date de la commande).

→ Attention: les variations de tonalité par rapport aux échantillons choisis sur les nuanciers RAL/NCS sont inévitables puisqu'elles sont dues à la réfraction de la couleur à travers l'épaisseur du verre.

Pour les tonalités de blanc, on n'effectue pas de coloris RAL/NCS sur demande.

→ Les tables qui une fois allongées font plus de 250 cm présentent une légère flexion du plateau qui respecte les standards de qualité acceptés.

→ Emballages renforcés voir page 205.


Fixe (II)

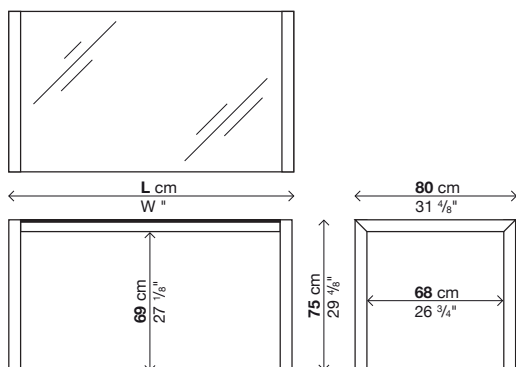
Code	Longueur (L)	Prof.	Pieds	Plateau	Prix en EURO	Coûts : m ³	Kg
01SUS31F	80	80	aluminium	brillant standard	1	0,18	31
				brillant RAL/NCS (!)			
				verre mat			
			laqué	brillant standard			
				brillant RAL/NCS (!)			
				verre mat			
01SUS11F	125	80	aluminium	brillant standard	1	0,27	44
				brillant RAL/NCS (!)			
				verre mat			
			laqué	brillant standard			
				brillant RAL/NCS (!)			
				verre mat			
01SUS13F	150	80	aluminium	brillant standard	1	0,32	52
				brillant RAL/NCS (!)			
				verre mat			
			laqué	brillant standard			
				brillant RAL/NCS (!)			
				verre mat			
01SUS33F	177	80	aluminium	brillant standard	1	0,37	58
				brillant RAL/NCS (!)			
				verre mat			
			laqué	brillant standard			
				brillant RAL/NCS (!)			
				verre mat			
01SUS37F	200	80	aluminium	brillant standard	1	0,41	66
				brillant RAL/NCS (!)			
				verre mat			
			laqué	brillant standard			
				brillant RAL/NCS (!)			
				verre mat			

Fixe (II)

Code	Longueur (L)	Prof.	Pieds	Plateau	Prix en EURO	Coûts : m ³	Kg
01SUS39F	220	80	aluminium	brillant standard (!)	1	0,45	72
				brillant RAL/NCS (!)			
				verre mat (!)			
			laqué	brillant standard (!)			
				brillant RAL/NCS (!)			
				verre mat (!)			
01SUS45F	240	80	aluminium	brillant standard (!)	1	0,49	77
				brillant RAL/NCS (!)			
				verre mat (!)			
			laqué	brillant standard (!)			
				brillant RAL/NCS (!)			
				verre mat (!)			
01SUS49F	260	80	aluminium	brillant standard (!)	1	0,53	83
				brillant RAL/NCS (!)			
				verre mat (!)			
			laqué	brillant standard (!)			
				brillant RAL/NCS (!)			
				verre mat (!)			
01SUS53F	280	80	aluminium	brillant standard (!)	1	0,57	88
				brillant RAL/NCS (!)			
				verre mat (!)			
			laqué	brillant standard (!)			
				brillant RAL/NCS (!)			
				verre mat (!)			
01SUS56F	300	80	aluminium	brillant standard (!)	1	0,61	94
				brillant RAL/NCS (!)			
				verre mat (!)			
			laqué	brillant standard (!)			
				brillant RAL/NCS (!)			
				verre mat (!)			

Optionals

Code			Prix en EURO	Coûts : m ³	Kg
02GTA02		coupe des pieds sur mesure	-	-	-
02RET01		câblage, matière plastique	1	0,07	1
02VER01		vertèbre, méthacrylate opaline	1	0,007	1,5
02CPU01		support CPU, méthacrylate opaline	1	0,14	5,5



Sushi verre

Extensible - Prof. 90 cm.

Finition piètement:

Aluminium anodisé

Aluminium laqué blanc (semblable au Ral 9016)

Aluminium laqué noir (semblable au Ral 9004)

Finition du plateau:

Verre brillant coloris standard: extra white, gris anthracite, noir, titane

Verre brillant coloris palette RAL/NCS sur demande

Verre mat coloris: extra white, gris anthracite, noir, titane

Finition des rallonges:

Laminé Alucompact® blanc

Laminé Alucompact® gris sable

Laminé Alucompact® gris anthracite

Laminé Alucompact® noir

→ Pour les modèles de table marqués d'un astérisque (*), il est possible d'ajouter une troisième rallonge pour augmenter davantage l'extension.

→ Attention: les dimensions et les finitions marquées par un point d'exclamation (!) ont des délais de production plus longs (environ 6 semaines à partir de la date de la commande).

→ Attention: les variations de tonalité par rapport aux échantillons choisis sur les nuanciers RAL/NCS sont inévitables puisqu'elles sont dues à la réfraction de la couleur à travers l'épaisseur du verre.
Pour les tonalités de blanc, on n'effectue pas de coloris RAL/NCS sur demande.

→ Les tables qui une fois allongées font plus de 250 cm présentent une légère flexion du plateau qui respecte les standards de qualité acceptés.

→ Emballages renforcés voir page 205.

Extensible (►)

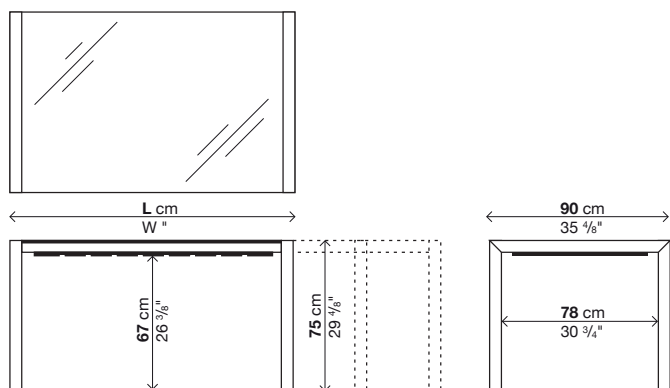
Code	Longueur (L)	Prof.	Pieds	Plateau	Prix en EURO	Coils	m ²	Kg
01SUS17*	150-187-224	90	aluminium	brillant standard	3	0,41	81	
				brillant RAL/NCS (!)				
				verre mat				
			laqué	brillant standard				
				brillant RAL/NCS (!)				
				verre mat				
01SUS15	177-214-251-288 <small>3eme extension compris: standard</small>	90	aluminium	brillant standard	4	0,5	96	
				brillant RAL/NCS (!)				
				verre mat				
			laqué	brillant standard				
				brillant RAL/NCS (!)				
				verre mat				
01SUS18*	200-237-274	90	aluminium	brillant standard	3	0,51	98	
				brillant RAL/NCS (!)				
				verre mat				
			laqué	brillant standard				
				brillant RAL/NCS (!)				
				verre mat				
01SUS52*	220-257-294	90	aluminium	brillant standard	3	0,55	105	
				brillant RAL/NCS (!)				
				verre mat				
			laqué	brillant standard				
				brillant RAL/NCS (!)				
				verre mat				

(*) 3ème rallonge supplémentaire

Code	Longueur (L)	Rallonge	Prix en EURO	Coils	m ²	Kg
50SUS02A	37,5	Alucompact		1	0,025	6,5

Optionals

Code		Prix en EURO	Coils	m ²	Kg
02GTA02	 coupe des pieds sur mesure		-	-	-



Sushi verre

Fixe - Prof. 90 cm.

Finition piètement:

Aluminium anodisé

Aluminium laqué blanc (semblable au Ral 9016)

Aluminium laqué noir (semblable au Ral 9004)

Finition du plateau:

Verre brillant coloris standard: extra white, gris anthracite, noir, titane

Verre brillant coloris palette RAL/NCS sur demande

Verre mat coloris: extra white, gris anthracite, noir, titane

→ Attention: les dimensions et les finitions marquées par un point d'exclamation (!) ont des délais de production plus longs (environ 6 semaines à partir de la date de la commande).

→ Attention: les variations de tonalité par rapport aux échantillons choisis sur les nuanciers RAL/NCS sont inévitables puisqu'elles sont dues à la réfraction de la couleur à travers l'épaisseur du verre.

Pour les tonalités de blanc, on n'effectue pas de coloris RAL/NCS sur demande.

→ Les tables qui une fois allongées font plus de 250 cm présentent une légère flexion du plateau qui respecte les standards de qualité acceptés.

→ Emballages renforcés voir page 205.


Fixe (II)

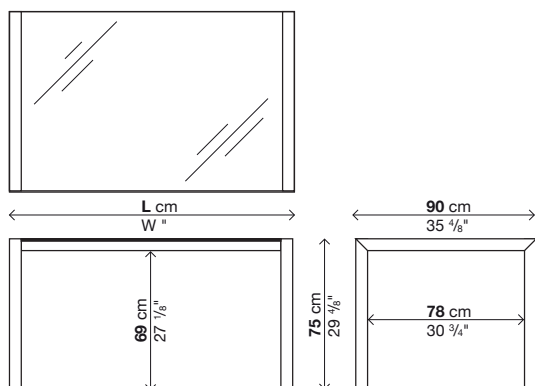
Code	Longueur (L)	Prof.	Pieds	Plateau	Prix en EURO	Coûts : m ³	Kg
01SUS58F	90	90	aluminium	brillant standard	1	0,23	37
				brillant RAL/NCS (!)			
				verre mat			
			laqué	brillant standard			
				brillant RAL/NCS (!)			
				verre mat			
01SUS63F	125	90	aluminium	brillant standard	1	0,3	51
				brillant RAL/NCS (!)			
				verre mat			
			laqué	brillant standard			
				brillant RAL/NCS (!)			
				verre mat			
01SUS17F	150	90	aluminium	brillant standard	1	0,36	58
				brillant RAL/NCS (!)			
				verre mat			
			laqué	brillant standard			
				brillant RAL/NCS (!)			
				verre mat			
01SUS15F	177	90	aluminium	brillant standard	1	0,42	67
				brillant RAL/NCS (!)			
				verre mat			
			laqué	brillant standard			
				brillant RAL/NCS (!)			
				verre mat			
01SUS67F	200	90	aluminium	brillant standard	1	0,46	74
				brillant RAL/NCS (!)			
				verre mat			
			laqué	brillant standard			
				brillant RAL/NCS (!)			
				verre mat			

Fixe (II)

Code	Longueur (L)	Prof.	Pieds	Plateau	Prix en EURO	Coûts : m ³	Kg
01SUS52F	220	90	aluminium	brillant standard (!)	1	0,5	80
				brillant RAL/NCS (!)			
				verre mat (!)			
			laqué	brillant standard (!)			
				brillant RAL/NCS (!)			
				verre mat (!)			
01SUS69F	240	90	aluminium	brillant standard (!)	1	0,55	86
				brillant RAL/NCS (!)			
				verre mat (!)			
			laqué	brillant standard (!)			
				brillant RAL/NCS (!)			
				verre mat (!)			
01SUS71F	260	90	aluminium	brillant standard (!)	1	0,59	92
				brillant RAL/NCS (!)			
				verre mat (!)			
			laqué	brillant standard (!)			
				brillant RAL/NCS (!)			
				verre mat (!)			
01SUS73F	280	90	aluminium	brillant standard (!)	1	0,63	103
				brillant RAL/NCS (!)			
				verre mat (!)			
			laqué	brillant standard (!)			
				brillant RAL/NCS (!)			
				verre mat (!)			
01SUS75F	300	90	aluminium	brillant standard (!)	1	0,67	109
				brillant RAL/NCS (!)			
				verre mat (!)			
			laqué	brillant standard (!)			
				brillant RAL/NCS (!)			
				verre mat (!)			

Optionals

Code			Prix en EURO	Coûts : m ³	Kg
02GTA02		coupe des pieds sur mesure	-	-	-
02RET02		câblage, matière plastique	1	0,07	1
02VER01		vertèbre, méthacrylate opaline	1	0,007	1,5
02CPU02		support CPU, méthacrylate opaline	1	0,14	5,5



Sushi verre

Extensible - Prof. 100 cm.

Finition piètement:

Aluminium anodisé

Aluminium laqué blanc (semblable au Ral 9016)

Aluminium laqué noir (semblable au Ral 9004)

Finition du plateau:

Verre brillant coloris standard: extra white, gris anthracite, noir, titane

Verre brillant coloris palette RAL/NCS sur demande

Verre mat coloris: extra white, gris anthracite, noir, titane

Finition des rallonges:

Laminé Alucompact® blanc

Laminé Alucompact® gris sable

Laminé Alucompact® gris anthracite

Laminé Alucompact® noir

→ Pour les modèles de table marqués d'un astérisque (*), il est possible d'ajouter une troisième rallonge pour augmenter davantage l'extension.

→ Attention: les dimensions et les finitions marquées par un point d'exclamation (!) ont des délais de production plus longs (environ 6 semaines à partir de la date de la commande).

→ Attention: les variations de tonalité par rapport aux échantillons choisis sur les nuanciers RAL/NCS sont inévitables puisqu'elles sont dues à la réfraction de la couleur à travers l'épaisseur du verre.
Pour les tonalités de blanc, on n'effectue pas de coloris RAL/NCS sur demande.

→ Les tables qui une fois allongées font plus de 250 cm présentent une légère flexion du plateau qui respecte les standards de qualité acceptés.

→ Emballages renforcés voir page 205.


Extensible (►)

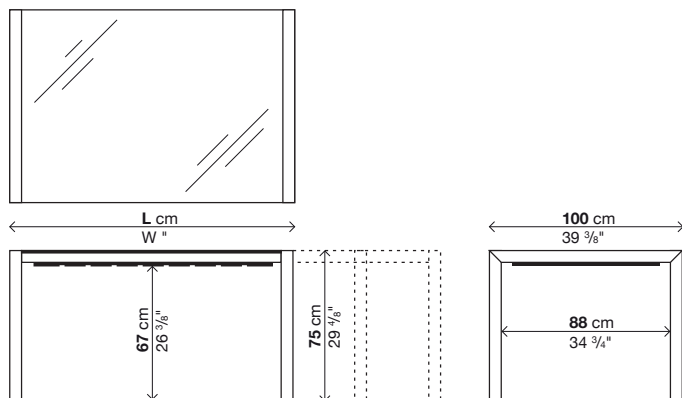
Code	Longueur (L)	Prof.	Pieds	Plateau	Prix en EURO	Coils : m ²	Kg
01SUS14	100-170	100	aluminium	brillant standard	3	0,33	63
				brillant RAL/NCS (!)			
				verre mat			
			laqué	brillant standard			
				brillant RAL/NCS (!)			
				verre mat			
01SUS12*	177-224-271	100	aluminium	brillant standard	3	0,52	101
				brillant RAL/NCS (!)			
				verre mat			
			laqué	brillant standard			
				brillant RAL/NCS (!)			
				verre mat			
01SUS20*	200-247-294	100	aluminium	brillant standard	3	0,57	108
				brillant RAL/NCS (!)			
				verre mat			
			laqué	brillant standard			
				brillant RAL/NCS (!)			
				verre mat			
01SUS19*	220-267-314	100	aluminium	brillant standard	3	0,62	118
				brillant RAL/NCS (!)			
				verre mat			
			laqué	brillant standard			
				brillant RAL/NCS (!)			
				verre mat			

(*) 3ème rallonge supplémentaire

Code	Longueur (L)	Rallonge	Prix en EURO	Coils : m ²	Kg
50SUS06A	33	Alucompact		1	0,035

Optionals

Code		Prix en EURO	Coils : m ²	Kg
02GTA02	 coupe des pieds sur mesure		-	-



Sushi verre

Fixe - Prof. 100 cm.

Finition piètement:

Aluminium anodisé

Aluminium laqué blanc (semblable au Ral 9016)

Aluminium laqué noir (semblable au Ral 9004)

Finition du plateau:

Verre brillant coloris standard: extra white, gris anthracite, noir, titane

Verre brillant coloris palette RAL/NCS sur demande

Verre mat coloris: extra white, gris anthracite, noir, titane

→ Attention: les dimensions et les finitions marquées par un point d'exclamation (!) ont des délais de production plus longs (environ 6 semaines à partir de la date de la commande).

→ Attention: les variations de tonalité par rapport aux échantillons choisis sur les nuanciers RAL/NCS sont inévitables puisqu'elles sont dues à la réfraction de la couleur à travers l'épaisseur du verre.

Pour les tonalités de blanc, on n'effectue pas de coloris RAL/NCS sur demande.

→ Les tables qui une fois allongées font plus de 250 cm présentent une légère flexion du plateau qui respecte les standards de qualité acceptés.

→ Emballages renforcés voir page 205.


Fixe (II)

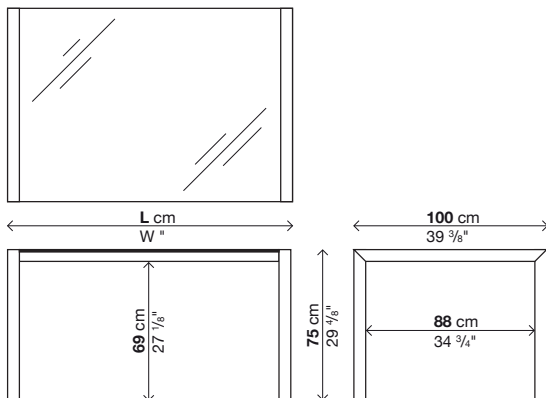
Code	Longueur (L)	Prof.	Pieds	Plateau	Prix en EURO	Cois : m ³	Kg
01SUS14F	100	100	aluminium	brillant standard	1	0,27	45
				brillant RAL/NCS (!)			
				verre mat			
			laqué	brillant standard			
				brillant RAL/NCS (!)			
				verre mat			
01SUS79F	150	100	aluminium	brillant standard	1	0,39	63
				brillant RAL/NCS (!)			
				verre mat			
			laqué	brillant standard			
				brillant RAL/NCS (!)			
				verre mat			
01SUS12F	177	100	aluminium	brillant standard	1	0,45	72
				brillant RAL/NCS (!)			
				verre mat			
			laqué	brillant standard			
				brillant RAL/NCS (!)			
				verre mat			
01SUS16F	200	100	aluminium	brillant standard	1	0,5	80
				brillant RAL/NCS (!)			
				verre mat			
			laqué	brillant standard			
				brillant RAL/NCS (!)			
				verre mat			
01SUS19F	220	100	aluminium	brillant standard	1	0,55	87
				brillant RAL/NCS (!)			
				verre mat			
			laqué	brillant standard			
				brillant RAL/NCS (!)			
				verre mat			

Fixe (II)

Code	Longueur (L)	Prof.	Pieds	Plateau	Prix en EURO	Cois : m ³	Kg
01SUS50F	240	100	aluminium	brillant standard (!)	1	0,6	93
				brillant RAL/NCS (!)			
				verre mat (!)			
			laqué	brillant standard (!)			
				brillant RAL/NCS (!)			
				verre mat (!)			
01SUS81F	260	100	aluminium	brillant standard (!)	1	0,65	100
				brillant RAL/NCS (!)			
				verre mat (!)			
			laqué	brillant standard (!)			
				brillant RAL/NCS (!)			
				verre mat (!)			
01SUS83F	280	100	aluminium	brillant standard (!)	1	0,69	110
				brillant RAL/NCS (!)			
				verre mat (!)			
			laqué	brillant standard (!)			
				brillant RAL/NCS (!)			
				verre mat (!)			
01SUS54F	300	100	aluminium	brillant standard (!)	1	0,74	118
				brillant RAL/NCS (!)			
				verre mat (!)			
			laqué	brillant standard (!)			
				brillant RAL/NCS (!)			
				verre mat (!)			

Optionals

Code		Prix en EURO	Cois : m ³	Kg
02GTA02		coupe des pieds sur mesure	-	-
02RET03		câblage, matière plastique	1	0,07
02VER01		vertèbre, méthacrylate opaline	1	0,007
02CPU03		support CPU, méthacrylate opaline	1	0,14



Sushi verre

Fixe - Prof. 124 cm.

Finition piètement:

Aluminium anodisé

Aluminium laqué blanc (semblable au Ral 9016)

Aluminium laqué noir (semblable au Ral 9004)

Finition du plateau:

Verre brillant coloris standard: extra white, gris anthracite, noir, titane

Verre brillant coloris palette RAL/NCS sur demande

Verre mat coloris: extra white, gris anthracite, noir, titane

→ Attention: les dimensions et les finitions marquées par un point d'exclamation (!) ont des délais de production plus longs (environ 6 semaines à partir de la date de la commande).

→ Attention: les variations de tonalité par rapport aux échantillons choisis sur les nuanciers RAL/NCS sont inévitables puisqu'elles sont dues à la réfraction de la couleur à travers l'épaisseur du verre.

Pour les tonalités de blanc, on n'effectue pas de coloris RAL/NCS sur demande.


→ Les tables qui une fois allongées font plus de 250 cm présentent une légère flexion du plateau qui respecte les standards de qualité acceptés.

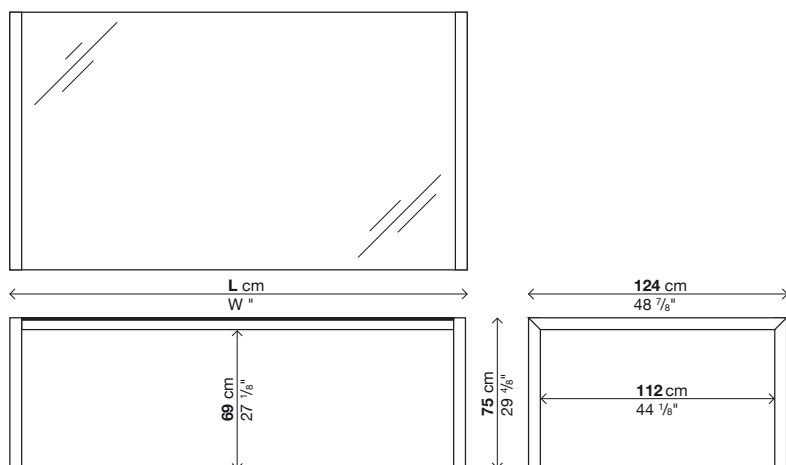
→ Emballages renforcés voir page 205.

Fixe (II)

Code	Longueur (L)	Prof.	Pieds	Plateau	Prix en EURO	Coûts	m ³	Kg
01SUS89F	220	124	aluminium	brillant standard (!)	1	0,66	109	
				brillant RAL/NCS (!)				
				verre mat (!)				
			laqué	brillant standard (!)				
				brillant RAL/NCS (!)				
				verre mat (!)				
01SUS91F	240	124	aluminium	brillant standard (!)	1	0,72	118	
				brillant RAL/NCS (!)				
				verre mat (!)				
			laqué	brillant standard (!)				
				brillant RAL/NCS (!)				
				verre mat (!)				
01SUS93F	288	124	aluminium	brillant standard (!)	1	0,85	140	
				brillant RAL/NCS (!)				
				verre mat (!)				
			laqué	brillant standard (!)				
				brillant RAL/NCS (!)				
				verre mat (!)				

Optionals

Code		Prix en EURO	Coûts	m ³	Kg
02GTA02		coupe des pieds sur mesure	-	-	-
02RET04		câblage, matière plastique	1	0,07	1
02VER01		vertèbre, méthacrylate opaline	1	0,007	1,5
02CPU04		support CPU, méthacrylate opaline	1	0,14	5,5



Sushi verre

Fixe - Prof. 140 cm.

Finition piètement:

Aluminium anodisé

Aluminium laqué blanc (semblable au Ral 9016)

Aluminium laqué noir (semblable au Ral 9004)

Finition du plateau:

Verre brillant coloris standard: extra white, gris anthracite, noir, titane

Verre brillant coloris palette RAL/NCS sur demande

Verre mat coloris: extra white, gris anthracite, noir, titane

→ Attention: les dimensions et les finitions marquées par un point d'exclamation (!) ont des délais de production plus longs (environ 6 semaines à partir de la date de la commande).


→ Attention: les variations de tonalité par rapport aux échantillons choisis sur les nuanciers RAL/NCS sont inévitables puisqu'elles sont dues à la réfraction de la couleur à travers l'épaisseur du verre.
Pour les tonalités de blanc, on n'effectue pas de coloris RAL/NCS sur demande.

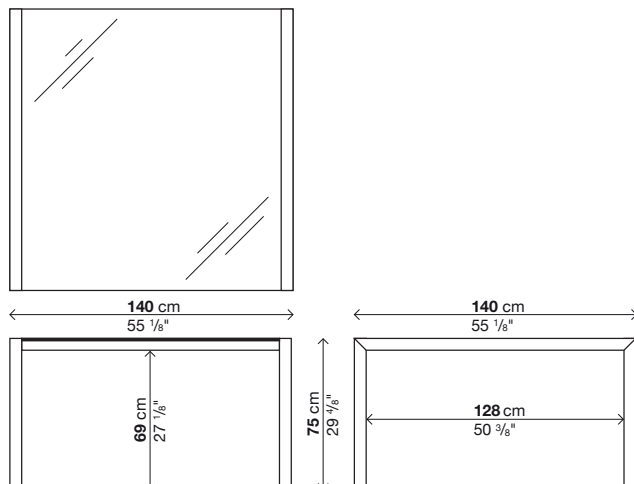
→ Emballages renforcés voir page 205.

Fixe (II)

Code	Longueur (L)	Prof.	Pieds	Plateau	Prix en EURO	Coûts	m ²	Kg
01SUS18F	140	140	aluminium	brillant standard (!)	1	0,52	73	
				brillant RAL/NCS (!)				
				verre mat (!)				
			laqué	brillant standard (!)				
				brillant RAL/NCS (!)				
				verre mat (!)				

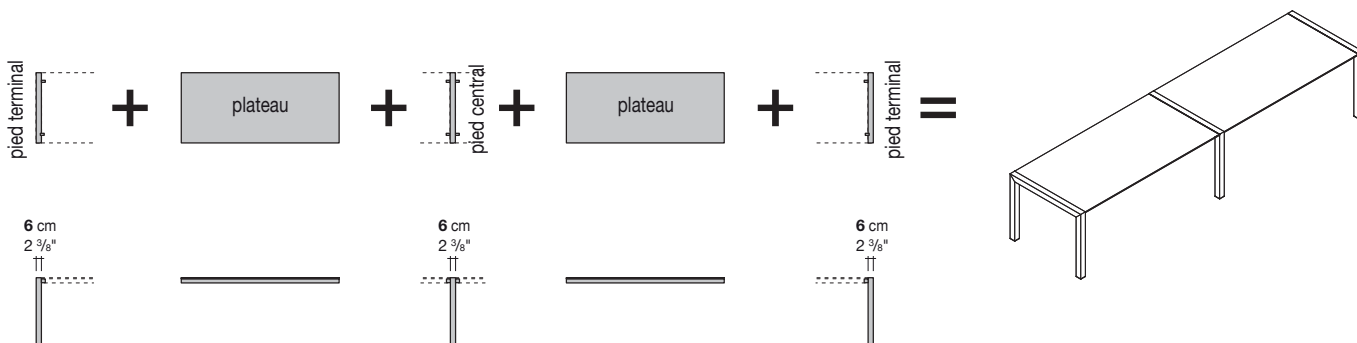
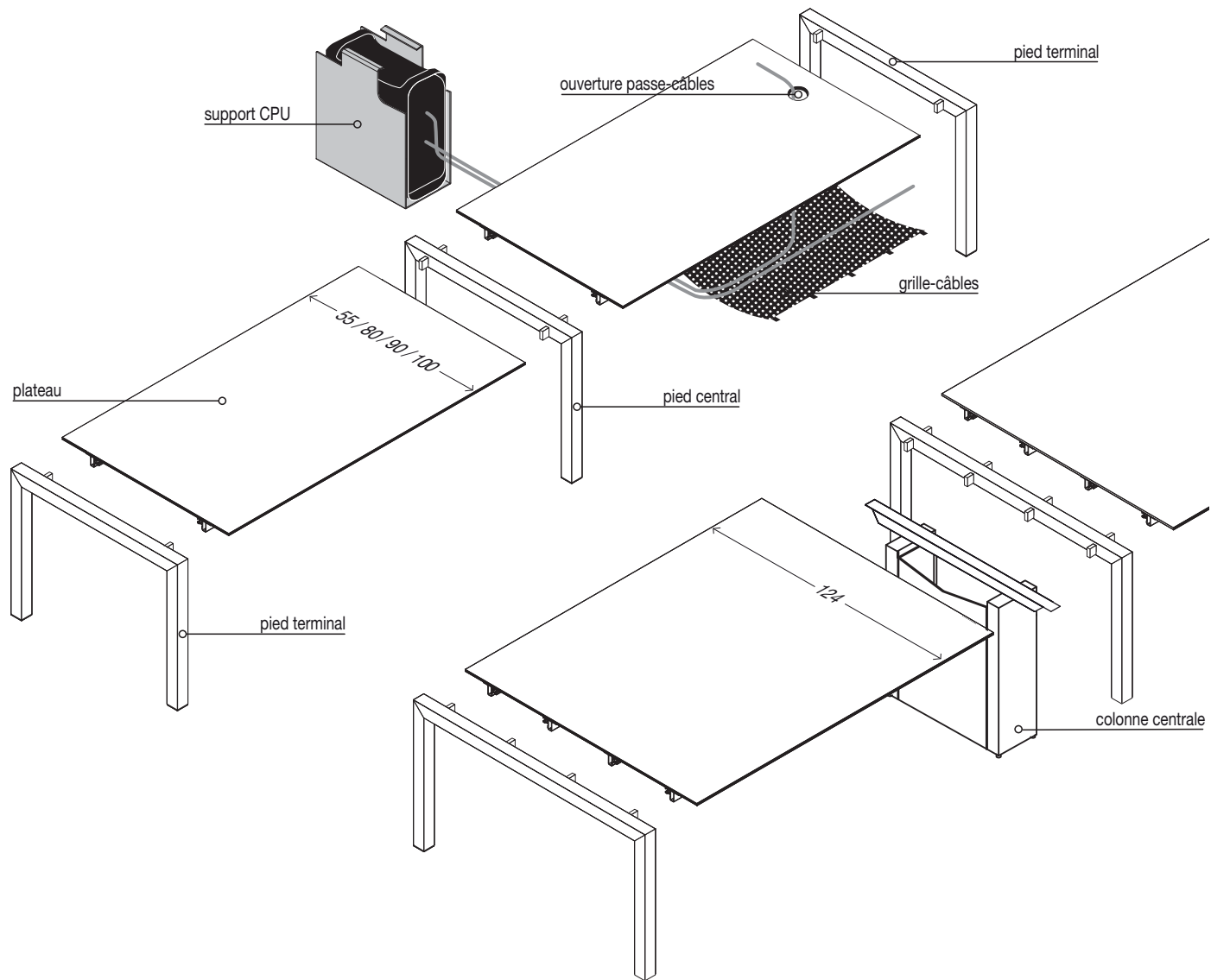
Optionals

Code		Prix en EURO	Coûts	m ²	Kg
02GTA02		coupe des pieds sur mesure	-	-	-
02VER01		vertèbre, méthacrylate opaline	1	0,007	1,5



Sushi composable

Dessin d'assemblage



Sushi composable

Plateaux en Alucompact®

Finition du plateau:

Laminé Alucompact® blanc
Laminé Alucompact® gris sable
Laminé Alucompact® gris anthracite
Laminé Alucompact® noir

→ Sur demande (pour quantité) il est possible de réaliser des plateaux en différents matériaux comme: stratifié Pure-white, Fenix-NTM®, verre.

→ Attention: les dimensions et les finitions marquées par un point d'exclamation (!) ont des délais de production plus longs (environ 6 semaines à partir de la date de la commande).

→ Les tables qui une fois allongées font plus de 250 cm présentent une légère flexion du plateau qui respecte les standards de qualité acceptés.

→ Emballages renforcés voir page 205.

Table, table de réunion

Code	L x P	Finition plateau	Prix en EURO	Colis	m ²	Kg
02SUS00	113 x 55	Alucompact (!)		1	0,2	18
02SUS01	135 x 55	Alucompact (!)		1	0,24	24
02SUS02	204 x 55	Alucompact (!)		1	0,33	35
02SUS03	113 x 80	Alucompact		1	0,27	27
02SUS04	138 x 80	Alucompact		1	0,32	32
02SUS15	165 x 80	Alucompact (!)		1	0,37	37
02SUS05	138 x 90	Alucompact		1	0,36	38
02SUS06	165 x 90	Alucompact		1	0,42	42
02SUS64	188 x 90	Alucompact (!)		1	0,46	47
02SUS16	208 x 90	Alucompact (!)		1	0,5	52
02SUS68	228 x 90	Alucompact (!)		1	0,55	56
02SUS70	248 x 90	Alucompact (!)		1	0,59	61
02SUS72	268 x 90	Alucompact (!)		1	0,63	69
02SUS74	288 x 90	Alucompact (!)		1	0,67	75
02SUS07	88 x 100	Alucompact		1	0,27	26
02SUS08	165 x 100	Alucompact		1	0,45	52
02SUS13	188 x 100	Alucompact (!)		1	0,5	51
02SUS09	208 x 100	Alucompact (!)		1	0,55	56
02SUS14	228 x 100	Alucompact (!)		1	0,6	61
02SUS80	248 x 100	Alucompact (!)		1	0,65	68
02SUS82	268 x 100	Alucompact (!)		1	0,69	75
02SUS36	288 x 100	Alucompact (!)		1	0,74	80
02SUS88	208 x 124	Alucompact (!)		1	0,66	75
02SUS90	228 x 124	Alucompact (!)		1	0,72	81
02SUS12	276 x 124	Alucompact (!)		1	0,85	97

Retour latérale

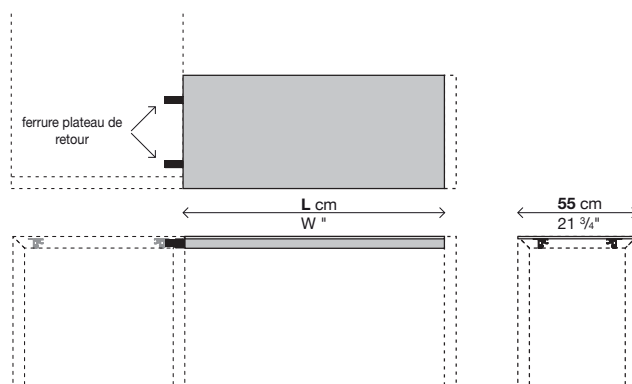
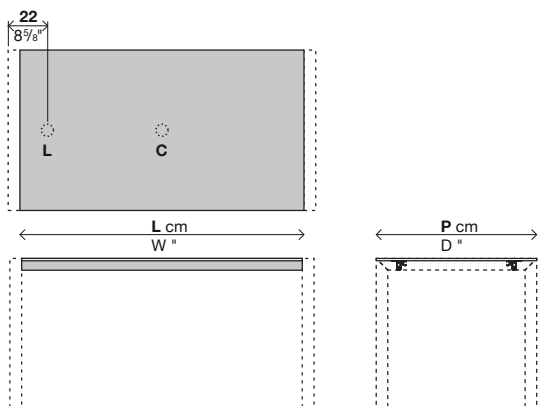
Code	L x P	Finition plateau	Prix en EURO	Colis	m ²	Kg
02SUS00	113 x 55	Alucompact (!)		1	0,2	18
02SUS01	135 x 55	Alucompact (!)		1	0,24	24
02SUS02	204 x 55	Alucompact (!)		1	0,33	35

Quincaillerie pour le retour latérale

Code	Description	Prix en EURO	Colis	m ²	Kg
02FER01	ferrure plateau de retour		-	-	1,5

Optionals

Code	Description	Prix en EURO	Colis	m ²	Kg
02FOR01	Ø6 passe-câbles latérale ou central		-	-	-



Sushi composable

Pied terminal/Pied central/Colonne centrale

Finition piètement:

Aluminium anodisé

Aluminium laqué blanc (semblable au Ral 9016)

Aluminium laqué "Alucompact® gris sabbia" (semblable au Ral 9002)

Aluminium laqué "Alucompact® gris anthracite" (semblable au Ral 7015)

Aluminium laqué noir (semblable au Ral 9004)

Finition colonne:

Acier laqué gris aluminium (semblable au Ral 7042)

Acier laqué blanc (semblable au Ral 9016)

Acier laqué "Alucompact® gris sabbia" (semblable au Ral 9002)

Acier laqué "Alucompact® gris anthracite" (semblable au Ral 7015)

Acier laqué noir (semblable au Ral 9004)

Pied terminal

Code	Profondeur	Finition pied	Prix en EURO	Coils	m ³	Kg
02CAV01	55	aluminium anodisé		1	0,22	10
		aluminium laqué				
02CAV02	80	aluminium anodisé		1	0,22	10,2
		aluminium laqué				
02CAV03	90	aluminium anodisé		1	0,22	10,3
		aluminium laqué				
02CAV04	100	aluminium anodisé		1	0,22	10,5
		aluminium laqué				
02CAV01A	124	aluminium anodisé		1	0,26	11
		aluminium laqué				

Optionals

Code	Description	Prix en EURO	Coils	m ³	Kg
02GTA01	coupe pieds sur mesure	-	-	-	-
02CRU01	jeu de deux roulettes avec frein	-	-	-	1

Pied central

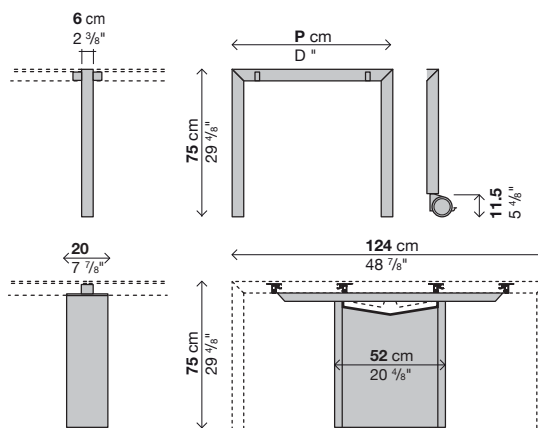
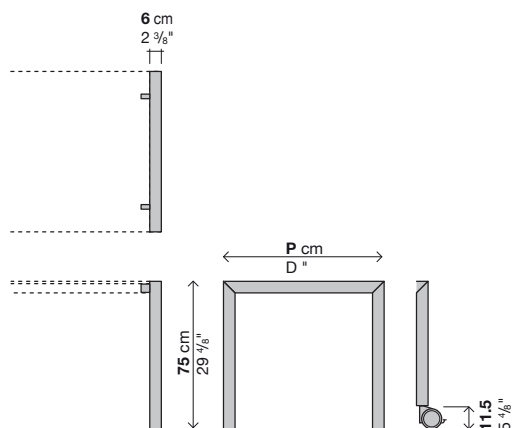
Code	Profondeur	Finition pied	Prix en EURO	Coils	m ³	Kg
02CAV12	80	aluminium anodisé		1	0,22	10,5
		aluminium laqué				
02CAV13	90	aluminium anodisé		1	0,22	10,6
		aluminium laqué				
02CAV14	100	aluminium anodisé		1	0,22	10,7
		aluminium laqué				
02CAV11A	124	aluminium anodisé		1	0,26	12
		aluminium laqué				

Optionals

Code	Description	Prix en EURO	Coils	m ³	Kg
02GTA01	coupe pieds sur mesure	-	-	-	-
02CRU01	jeu de deux roulettes avec frein	-	-	-	1

Colonne centrale

Code	Profondeur	Finitions	Prix en EURO	Coils	m ³	Kg
02TOR01	124	acier laqué		1	0,14	19,5



Sushi composable

support CPU/Grille-câbles/Collier serre-câbles

Finition support CPU:

Méthacrylate opale

Finition câblage:

Plastique ignifuge

Finition vertèbre:

Méthacrylate opale

support CPU

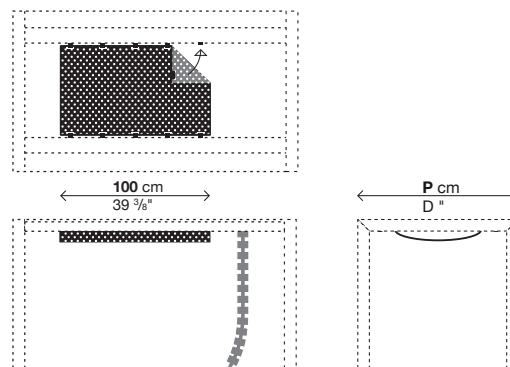
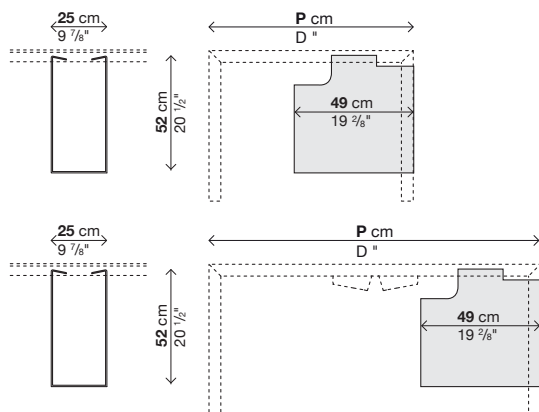
Code	P	Finitions	Prix en EURO	Coils	m ³	Kg
02CPU01	80	méthacrylate opale		1	0,14	5,5
02CPU02	90	méthacrylate opale		1	0,14	5,5
02CPU03	100	méthacrylate opale		1	0,14	5,5
02CPU04	124	méthacrylate opale		1	0,14	5,5
02CPU05	160	méthacrylate opale		1	0,14	5,5

Grille-câbles

Code	P	Finitions	Prix en EURO	Coils	m ³	Kg
02RET01	80	plastique ignifuge		1	0,07	1
02RET02	90	plastique ignifuge		1	0,07	1
02RET03	100	plastique ignifuge		1	0,07	1
02RET04	124	plastique ignifuge		1	0,07	1

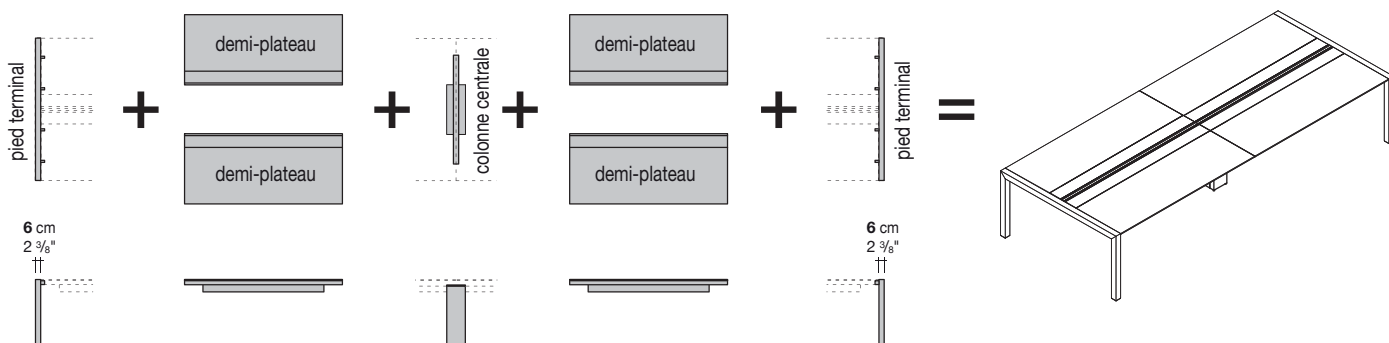
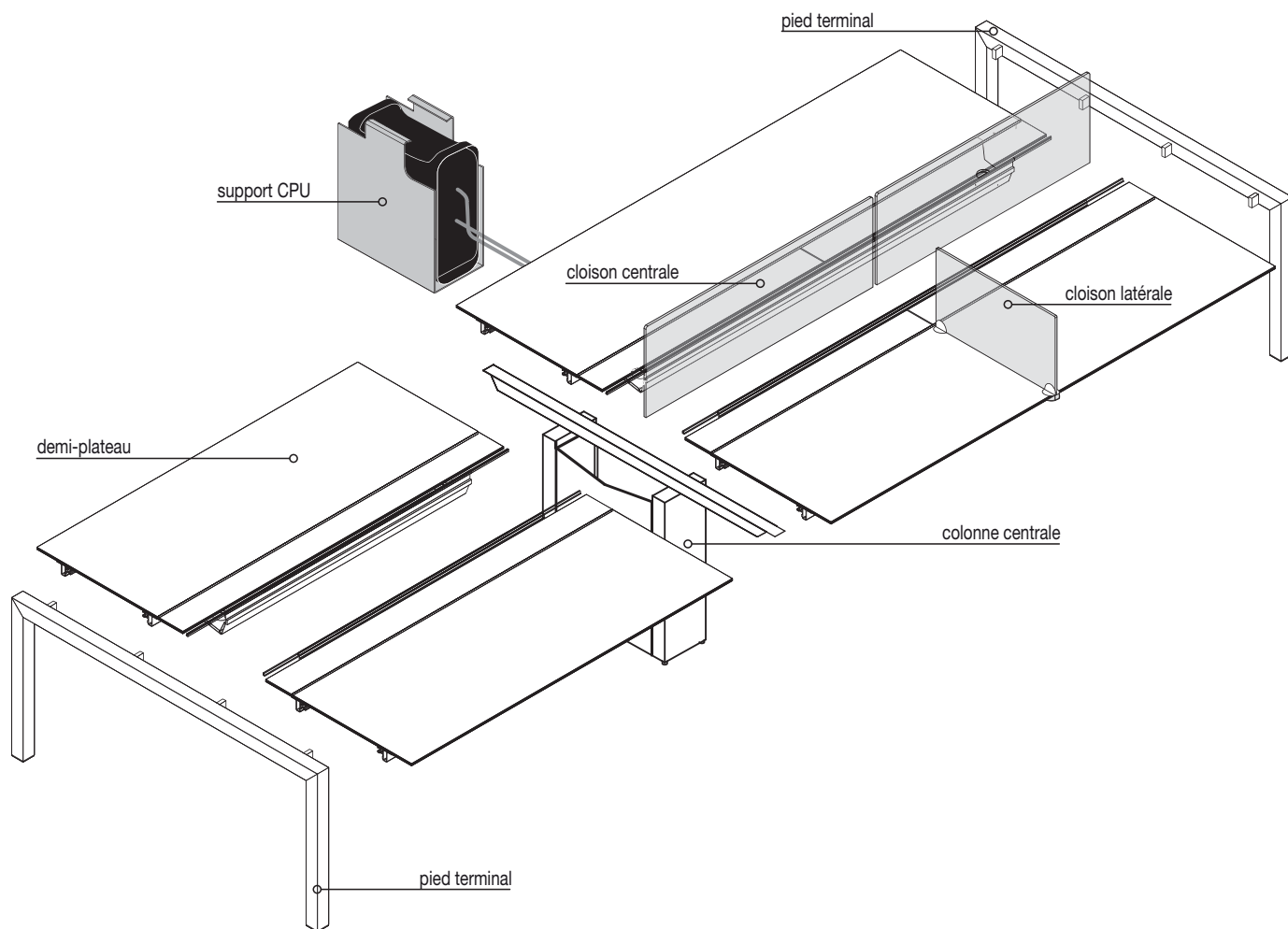
Collier serre-câbles

Code	Finitions	Prix en EURO	Coils	m ³	Kg
02VER01	méthacrylate opale		1	0,007	1,5



Sushi Workstation composable

Dessin d'assemblage



Sushi Workstation composable

Demi-plateau en Alucompact®

Finition plateau/ailette de fixation:

Laminé Alucompact® blanc
 Laminé Alucompact® gris sable
 Laminé Alucompact® gris anthracite
 Laminé Alucompact® noir

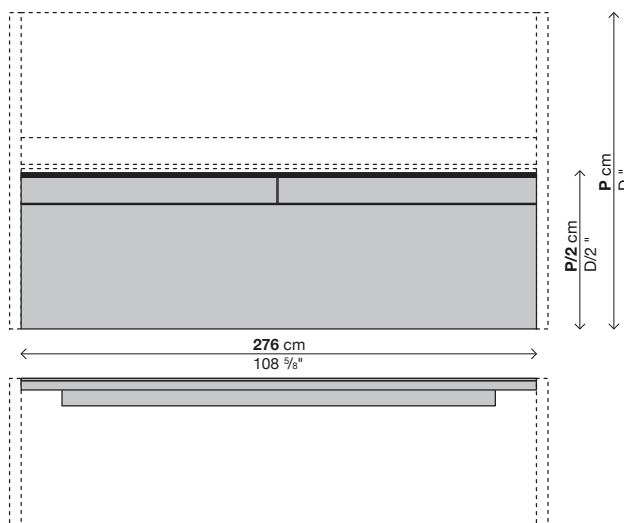
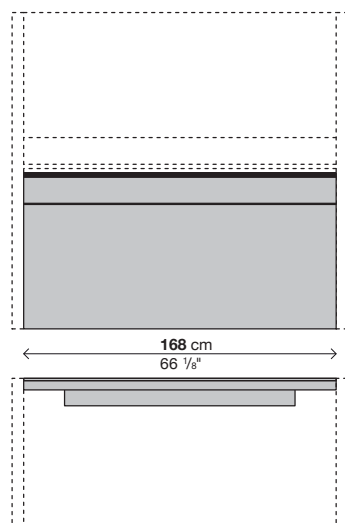
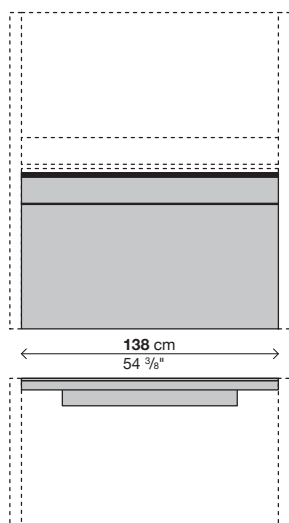
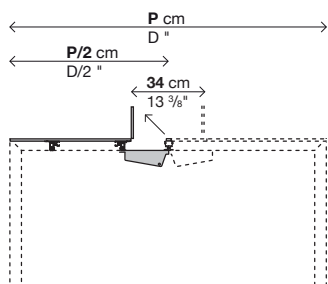
- Sur demande (pour quantité) il est possible de réaliser des plateaux en différents matériaux comme: stratifié Pure-white, Fenix-NTM®, verre.
- Attention: les dimensions et les finitions marquées par un point d'exclamation (!) ont des délais de production plus longs (environ 6 semaines à partir de la date de la commande).
- Les tables qui une fois allongées font plus de 250 cm présentent une légère flexion du plateau qui respecte les standards de qualité acceptés.
- Emballages renforcés voir page 205.

Workstation P.124 cm

Code	L x P/2	Finition plateau	Prix en EURO	Colis	m ²	Kg
02WSU01A	138 x 62	Alucompact (!)		1	0,21	31
02WSU02A	168 x 62	Alucompact (!)		1	0,26	38
02WSU03A	276 x 62	Alucompact (!)		1	0,41	61

Workstation P.160 cm

Code	L x P/2	Finition plateau	Prix en EURO	Colis	m ²	Kg
02WSU04A	138 x 80	Alucompact (!)		1	0,27	36
02WSU05A	168 x 80	Alucompact (!)		1	0,32	44
02WSU06A	276 x 80	Alucompact (!)		1	0,52	69



Sushi Workstation composable

Pied terminal/Colonne centrale

Finition piètement:

Aluminium anodisé

Aluminium laqué blanc (semblable au Ral 9016)

Aluminium laqué "Alucompact® gris sabbia" (semblable au Ral 9002)

Aluminium laqué "Alucompact® gris anthracite" (semblable au Ral 7015)

Aluminium laqué noir (semblable au Ral 9004)

Finition colonne:

Acier laqué gris aluminium (semblable au Ral 7042)

Acier laqué blanc (semblable au Ral 9016)

Acier laqué "Alucompact® gris sabbia" (semblable au Ral 9002)

Acier laqué "Alucompact® gris anthracite" (semblable au Ral 7015)

Acier laqué noir (semblable au Ral 9004)

Pied terminal

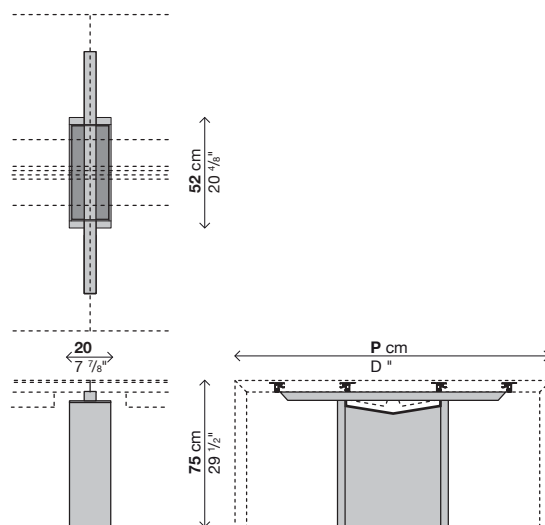
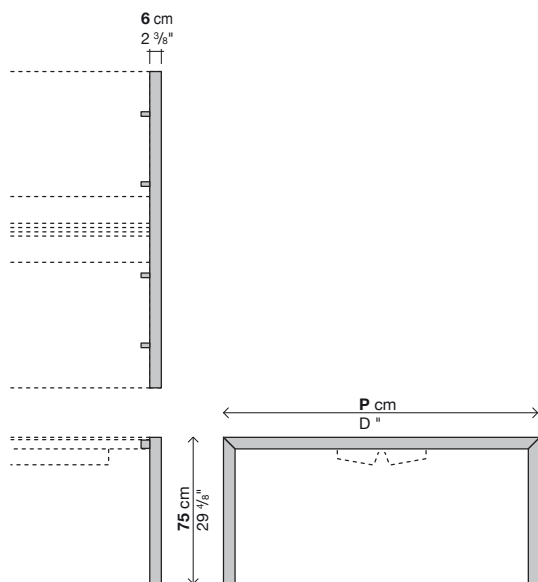
Code	Profondeur	Finition pied	Prix en EURO	Cols	m ³	Kg
02CAV01A	124	aluminium anodisé		1	0,26	11
		aluminium laqué				
02CAV04A	160	aluminium anodisé		1	0,32	13,5
		aluminium laqué				

Optionals

Code	Description	Prix en EURO	Cols	m ³	Kg
02GTA01	coupe pieds sur mesure	-	-	-	-

Colonne centrale

Code	Profondeur	Finitions	Prix en EURO	Cols	m ³	Kg
02TOR01	124	acier laqué		1	0,14	19,5
02TOR02	160	acier laqué		1	0,14	20,5



Sushi Workstation composable

Cloisonette centrale/Cloisonette latérale

Finitions:

Méthacrylate opale

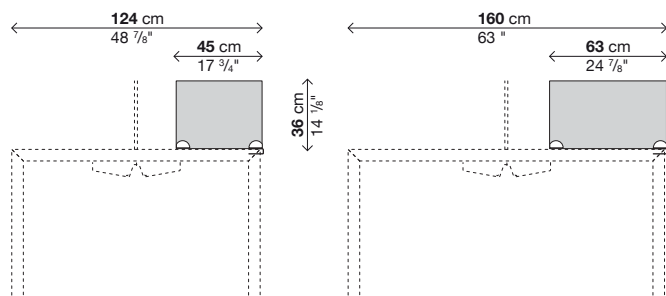
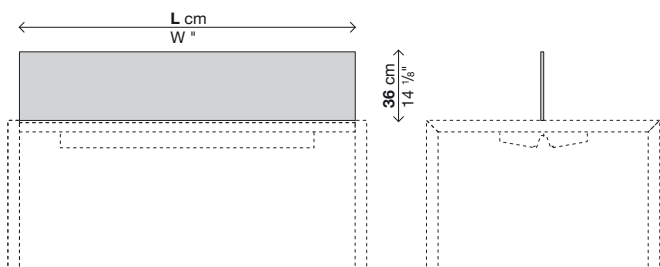
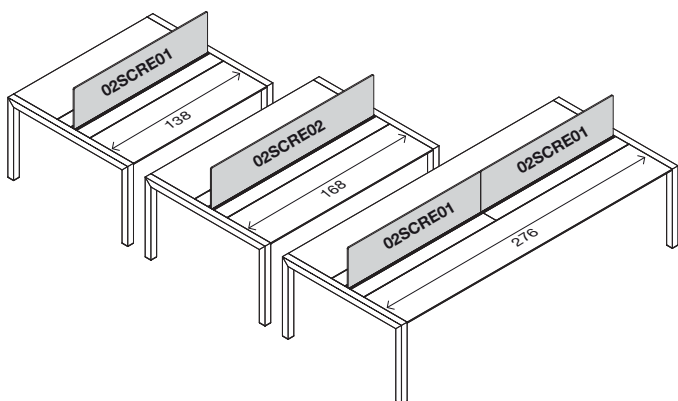
→ Sur demande (pour quantité) il est possible de réaliser des cloisonnettes en tissu Divina MD / Divina Melange 2 (Kvadrat®).

Cloisonette centrale

Code	L x P	Finitions	Prix en EURO	Colis	m ²	Kg
02SCRE01	138 x 36	méthacrylate opale		1	0,04	5
02SCRE02	168 x 36	méthacrylate opale		1	0,05	8

Cloisonette latérale

Code	L x P/2	Finitions	Finition du métal	Prix en EURO	Colis	m ²	Kg
02SCRE03	45 x 36	méthacrylate opale	laqué gris		1	0,012	2
			laqué blanc				
			laqué noir				
02SCRE04	63 x 36	méthacrylate opale	laqué gris		1	0,017	3
			laqué blanc				
			laqué noir				



Sushi Workstation composable

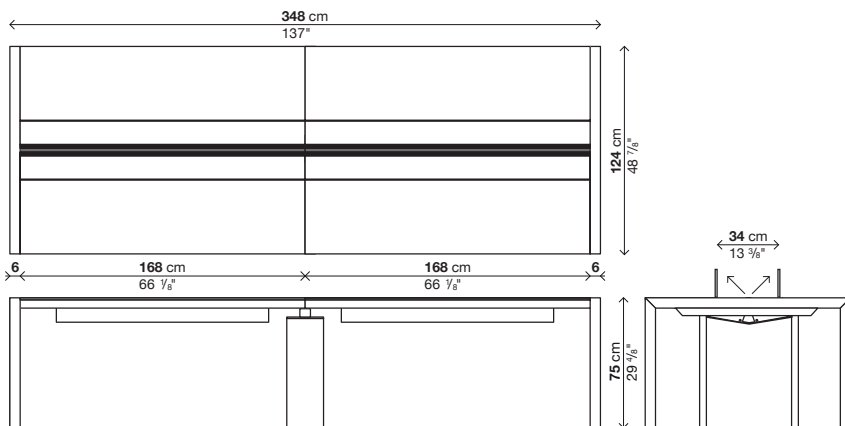
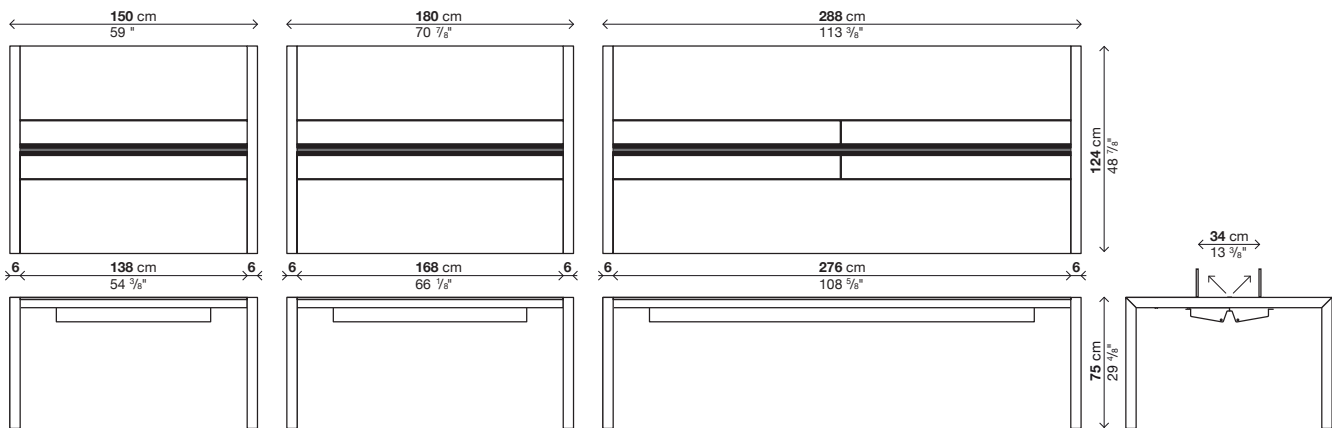
Compositions Prof. 124 cm.

→ Attention: les dimensions et les finitions marquées par un point d'exclamation (!) ont des délais de production plus longs (environ 6 semaines à partir de la date de la commande).

→ Les tables qui une fois allongées font plus de 250 cm présentent une légère flexion du plateau qui respecte les standards de qualité acceptés.

→ Emballages renforcés voir page 205.

L x P	Codes	Finition pied	Finition colonne	Finition plateau	Prix en EURO	Coûts : m ² / Kg
150 x 124 (!)	02WSU01A (x2) + 02CAV01A (x2)	aluminium anodisé		Alucompact		4 / 0,94 / 86
180 x 124 (!)	02WSU02A (x2) + 02CAV01A (x2)	aluminium anodisé		Alucompact		4 / 1,04 / 100
288 x 124 (!)	02WSU03A (x2) + 02CAV01A (x2)	aluminium anodisé		Alucompact		4 / 1,35 / 146
348 x 124 (!)	02WSU02A (x4) + 02CAV01A (x2) + 02TOR01	aluminium anodisé	acier laqué	Alucompact		7 / 1,7 / 197



Sushi Workstation composable

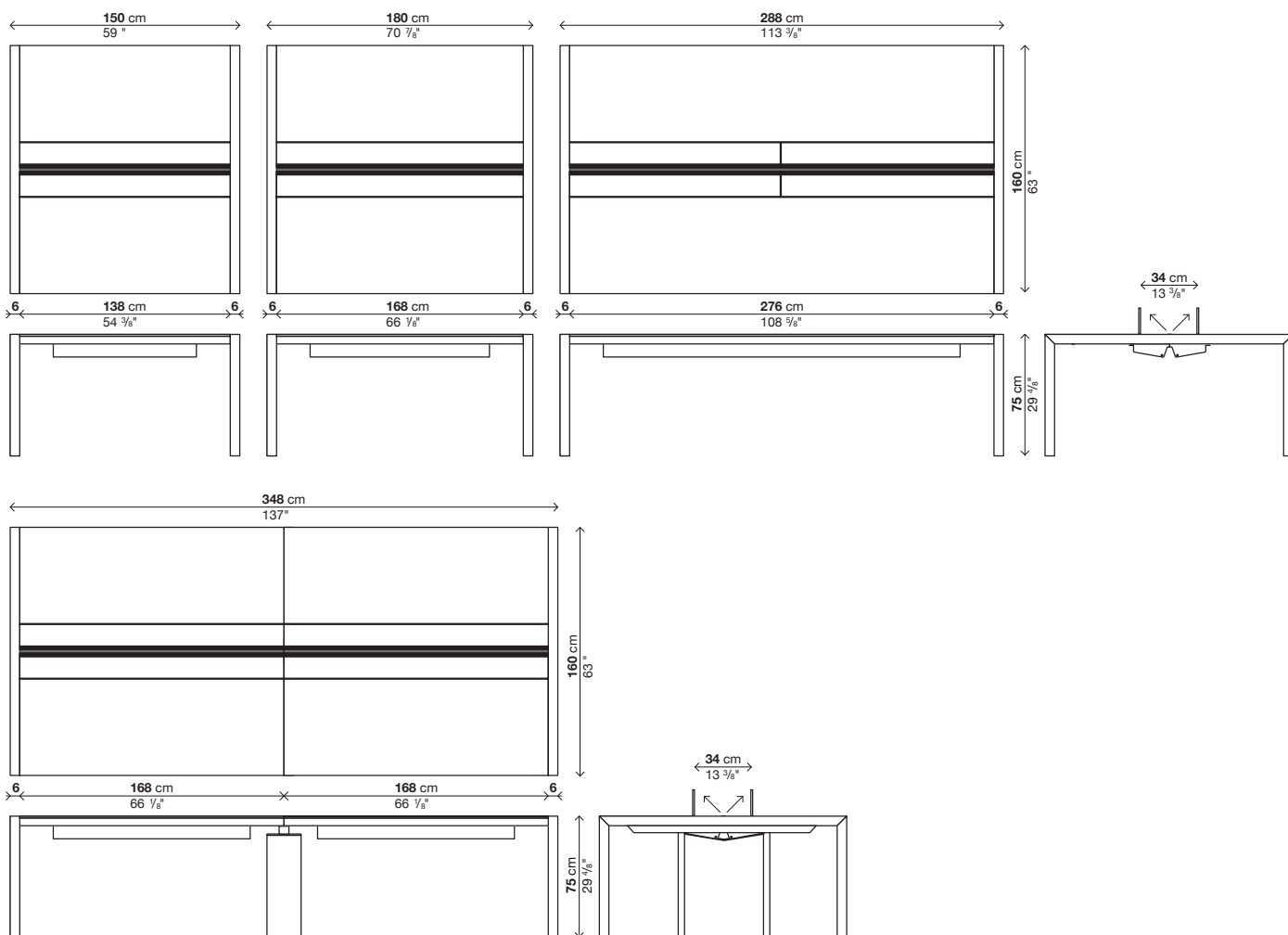
Compositions Prof. 160 cm.

→ Attention: les dimensions et les finitions marquées par un point d'exclamation (!) ont des délais de production plus longs (environ 6 semaines à partir de la date de la commande).

→ Les tables qui une fois allongées font plus de 250 cm présentent une légère flexion du plateau qui respecte les standards de qualité acceptés.

→ Emballages renforcés voir page 205.

L x P	Codes	Finition pied	Finition colonne	Finition plateau	Prix en EURO	Coûts : m ² / Kg
150 x 160 (!)	02WSU04A (x2) + 02CAV04A (x2)	aluminium anodisé		Alucompact		4 1,18 100
180 x 160 (!)	02WSU05A (x2) + 02CAV04A (x2)	aluminium anodisé		Alucompact		4 1,28 115
288 x 160 (!)	02WSU06A (x2) + 02CAV04A (x2)	aluminium anodisé		Alucompact		4 1,7 165
348 x 160 (!)	02WSU05A (x4) + 02CAV04A (x2) + 02TOR02	aluminium anodisé	acier laqué	Alucompact		7 2,06 224



Sushi

Größenübersicht

Breite 80 cm
Depth 314/8"

80 cm 314/8"	→ Alucompact® → Pure-white → Glas
125 cm 492/8"	→ Alucompact® → Pure-white → Glas
125/165/205 cm 492/8/65/803/4"	→ Alucompact® → Pure-white → Glas
150 cm 59"	→ Alucompact® → Pure-white → Glas
150/190/230 cm 59/747/8/904/8" *	→ Alucompact® → Pure-white → Glas
177 cm 693/4"	→ Alucompact® → Pure-white → Glas
177/217/257 cm 693/4/854/8/1012/8" *	→ Alucompact® → Pure-white → Glas
200 cm 783/4"	→ Alucompact® → Pure-white → Glas
220 cm 865/8"	→ Alucompact® → Pure-white → Glas
240 cm 944/8"	→ Alucompact® → Pure-white → Glas
260 cm 1023/8"	→ Alucompact® → Pure-white → Glas
280 cm 1102/8"	→ Alucompact® → Pure-white → Glas
300 cm 1181/8"	→ Alucompact® → Pure-white → Glas

Breite 90 cm
Depth 353/8"

90 cm 353/8"	→ Alucompact® → Pure-white → Glas
125 cm 492/8"	→ Alucompact® → Pure-white → Glas
150 cm 59"	→ Alucompact® → Pure-white → Fenix-NTM® → Glas → DEKTON®
150/187/224 cm 59/735/8/882/8" *	→ Alucompact® → Pure-white → Fenix-NTM® → Glas
150/187/224 cm 59/735/8/882/8"	→ DEKTON®
177 cm 693/4"	→ Alucompact® → Pure-white → Fenix-NTM® → Glas → DEKTON®
177/214/251/288 cm 693/4/842/8/987/8/1133/8"	→ Alucompact® → Pure-white → Fenix-NTM® → Glas
177/214/251 cm 693/4/842/8/987/8"	→ DEKTON®
200 cm 783/4"	→ Alucompact® → Pure-white → Fenix-NTM® → Glas → DEKTON®
200/237/274 cm 783/4/931/4/1077/8" *	→ Alucompact® → Pure-white → Fenix-NTM® → Glas
200/237/274 cm 783/4/931/4/1077/8"	→ DEKTON®
220 cm 865/8"	→ Alucompact® → Pure-white → Fenix-NTM® → Glas
220/257/294 cm 865/8/1012/8/1161/8" *	→ Alucompact® → Pure-white → Fenix-NTM® → Glas
240 cm 944/8"	→ Alucompact® → Pure-white → Glas
260 cm 1023/8"	→ Alucompact® → Pure-white → Glas
280 cm 1102/8"	→ Alucompact® → Pure-white → Glas
300 cm 1181/8"	→ Alucompact® → Pure-white → Glas

Breite 100 cm
Depth 393/8"

100 cm 393/8"	→ Alucompact® → Pure-white → Glas
100/170 cm 393/8/67"	→ Alucompact® → Pure-white → Glas
150 cm 59"	→ Alucompact® → Pure-white → Glas
177 cm 693/4"	→ Alucompact® → Pure-white → Fenix-NTM® → Glas → DEKTON®
177/224/271 cm 693/4/885/8/1063/4" *	→ Alucompact® → Pure-white → Fenix-NTM® → Glas
177/214/251 cm 693/4/842/8/987/8"	→ DEKTON®
200 cm 783/4"	→ Alucompact® → Pure-white → Fenix-NTM® → Glas → DEKTON®
200/247/294 cm 783/4/972/8/1153/4" *	→ Alucompact® → Pure-white → Fenix-NTM® → Glas
200/237/274 cm 783/4/931/4/1077/8"	→ DEKTON®
220 cm 865/8"	→ Alucompact® → Pure-white → Fenix-NTM® → Glas
220/267/314 cm 865/8/1051/8/1233/4" *	→ Alucompact® → Pure-white → Fenix-NTM® → Glas
240 cm 944/8"	→ Alucompact® → Pure-white → Glas → DEKTON®
260 cm 1023/8"	→ Alucompact® → Pure-white → Glas
280 cm 1102/8"	→ Alucompact® → Pure-white → Glas → DEKTON®
300 cm 1181/8"	→ Alucompact® → Pure-white → Glas

* = 3. zusätzliche Verlängerung (auf Anfrage)

Platten

Breite 124 cm
Depth 487/8"

124 **220 cm**
865/8" → Alucompact®
→ Pure-white
→ Glas

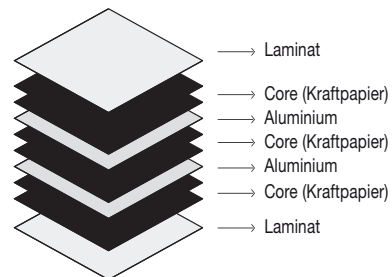
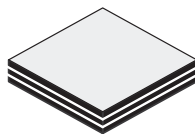
240 cm
944/8" → Alucompact®
→ Pure-white
→ Glas

288 cm
1133/8" → Alucompact®
→ Pure-white
→ Glas

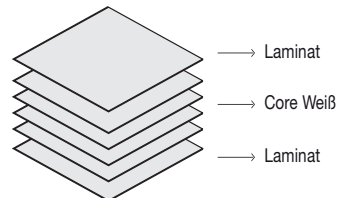
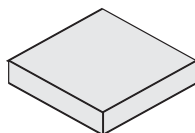
Breite 140 cm
Depth 551/8"

140 **140 cm**
551/8" → Glas

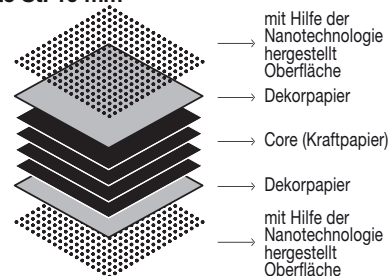
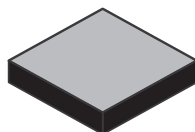
Alucompact® St. 10 mm



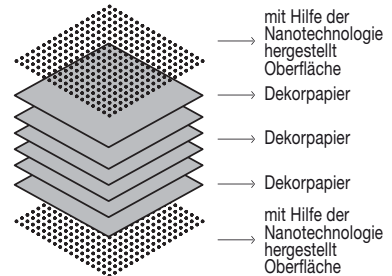
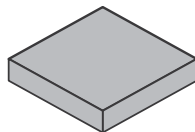
Pure-white St. 10 mm



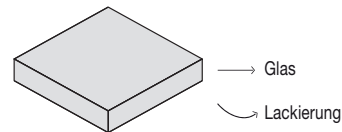
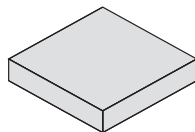
Fenix-NTM® schwarze Kante St. 10 mm



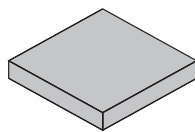
Fenix-NTM® farbige Kante St. 10 mm



Glas St. 10 mm



DEKTON® by Cosentino St. 8 mm



Dekton ist ein hoch entwickeltes Rohstoffgemisch, das für die Erzeugung von Glas, Keramik der letzten Generation und Quarzoberflächen mit höchster Qualität eingesetzt wird.

Sushi Alucompact® / Pure-white

Erweiterbar - Breite 80 cm.

Ausführung der Beine:

Eloxiertes Aluminium

Weiß lackiertes Aluminium (farbähnlich wie Ral 9016)

“Alucompact® Sandgrau” lackiertes Aluminium (farbähnlich wie Ral 9002)

“Alucompact® Anthrazitgrau” lackiertes Aluminium (farbähnlich wie Ral 7015)

Schwarz lackiertes Aluminium (farbähnlich wie Ral 9004)

Ausführung der Tischplatte/Verlängerungen:

Laminat Alucompact® (Weiß, Sandgrau, Anthrazitgrau, Schwarz)

Laminat Pure-white Weiß

→ Bei den Tischen, deren Artikelnummern mit Sternchen (*) markiert sind, ist das Hinzufügen einer dritten Verlängerung möglich, wodurch der Tisch noch größer wird.

→ Achtung: Die mit (!) gekennzeichneten Maße oder Ausführungen haben eine längere Produktionszeit: zirka 6 Wochen ab Auftragsdatum.

→ Jene Tische, die im ausgezogenen Zustand eine Länge von 250 cm überschreiten, weisen eine leichte Biegung der Platte auf, die jedoch innerhalb der festgelegten qualitativen Standards liegt.

→ Verstärkte Verpackungsmaterialien siehe Seite 205.

Erweiterbar (▶)

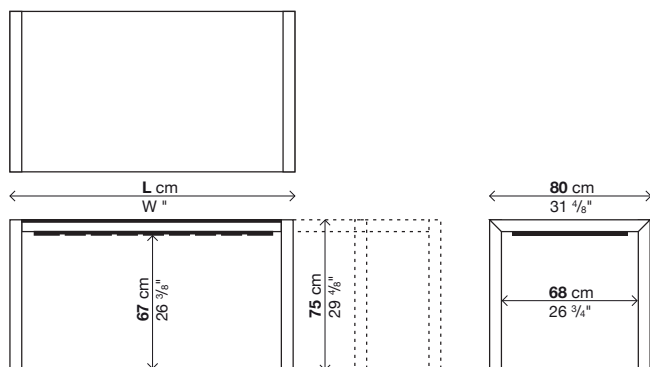
Art.-Nr.	Länge (L)	Breite	Beine	Platte	Preis in EURO	Koll.	V.m ³	Kg
01SUS01	125-165-205	80	Aluminium	Alucompact	3	0,32	55	
				Pure-white (!)				
			Lackiert	Alucompact				
				Pure-white (!)				
01SUS03*	150-190-230	80	Aluminium	Alucompact	3	0,37	61	
				Pure-white (!)				
			Lackiert	Alucompact				
				Pure-white (!)				
01SUS08*	177-217-257	80	Aluminium	Alucompact	3	0,42	67	
				Pure-white (!)				
			Lackiert	Alucompact				
				Pure-white (!)				

(*) 3. zusätzliche Verlängerung

Art.-Nr.	Länge (L)	Verlängerung	Preis in EURO	Koll.	V.m ³	Kg
50SUS05A	33	Alucompact Pure-white		1	0,025	6

Optionals

Art.-Nr.		Preis in EURO	Koll.	V.m ³	Kg
02GTA02	 Zuschnitt der Beine nach Maß	-	-	-	-



Sushi Alucompact® / Pure-white

Fixmaße - Breite 80 cm.

Ausführung der Beine:

Eloxiertes Aluminium

Weiß lackiertes Aluminium (farbähnlich wie Ral 9016)

“Alucompact® Sandgrau” lackiertes Aluminium (farbähnlich wie Ral 9002)

“Alucompact® Anthrazitgrau” lackiertes Aluminium (farbähnlich wie Ral 7015)

Schwarz lackiertes Aluminium (farbähnlich wie Ral 9004)

Ausführung der Tischplatte:

Laminat Alucompact® (Weiß, Sandgrau, Anthrazitgrau, Schwarz)

Laminat Pure-white Weiß

→ Achtung: Die mit (!) gekennzeichneten Maße oder Ausführungen haben eine längere Produktionszeit: zirka 6 Wochen ab Auftragsdatum.

→ Jene Tische, die im ausgezogenen Zustand eine Länge von 250 cm überschreiten, weisen eine leichte Biegung der Platte auf, die jedoch innerhalb der festgelegten qualitativen Standards liegt.

→ Verstärkte Verpackungsmaterialien siehe Seite 205.


Fixmaße (II)

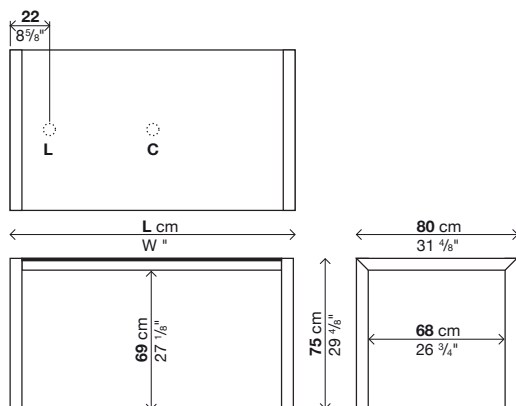
Art.-Nr.	Länge (L)	Breite	Beine	Platte	Preis in EURO	Koll.	V.m ³	Kg
01SUS10F	80	80	Aluminium	Alucompact	1	0,18	26	
				Pure-white (!)				
			Lackiert	Alucompact				
				Pure-white (!)				
01SUS01F	125	80	Aluminium	Alucompact	1	0,27	35	
				Pure-white (!)				
			Lackiert	Alucompact				
				Pure-white (!)				
01SUS03F	150	80	Aluminium	Alucompact	1	0,32	41	
				Pure-white (!)				
			Lackiert	Alucompact				
				Pure-white (!)				
01SUS32F	177	80	Aluminium	Alucompact (!)	1	0,37	47	
				Pure-white (!)				
			Lackiert	Alucompact (!)				
				Pure-white (!)				
01SUS34F	200	80	Aluminium	Alucompact	1	0,41	52	
				Pure-white (!)				
			Lackiert	Alucompact				
				Pure-white (!)				

Fixmaße (II)

Art.-Nr.	Länge (L)	Breite	Beine	Platte	Preis in EURO	Koll.	V.m ³	Kg
01SUS38F	220	80	Aluminium	Alucompact (!)	1	0,45	56	
				Pure-white (!)				
			Lackiert	Alucompact (!)				
				Pure-white (!)				
01SUS43F	240	80	Aluminium	Alucompact (!)	1	0,49	60	
				Pure-white (!)				
			Lackiert	Alucompact (!)				
				Pure-white (!)				
01SUS48F	260	80	Aluminium	Alucompact (!)	1	0,53	65	
				Pure-white (!)				
			Lackiert	Alucompact (!)				
				Pure-white (!)				
01SUS51F	280	80	Aluminium	Alucompact (!)	1	0,57	68	
				Pure-white (!)				
			Lackiert	Alucompact (!)				
				Pure-white (!)				
01SUS55F	300	80	Aluminium	Alucompact (!)	1	0,61	72	
				Pure-white (!)				
			Lackiert	Alucompact (!)				
				Pure-white (!)				

Optionals

Art.-Nr.			Preis in EURO	Koll.	V.m ³	Kg
02GTA02		Zuschnitt der Beine nach Maß	-	-	-	-
02FOR01	Ø6	seitlicher oder mittlerer Kabeldurchlass	-	-	-	-
02RET01		Kabelnetz, Kunststoffmaterial	1	0,07	1	
02VER01		Kabelschlange, mattes Methacrylat	1	0,007	1,5	
02CPU01		CPU-Träger, mattes Methacrylat	1	0,14	5,5	



Sushi Alucompact® / Pure-white / Fenix-NTM®

Erweiterbar - Breite 90 cm.

Ausführung der Beine:

Eloxiertes Aluminium

Weiß lackiertes Aluminium (farbähnlich wie Ral 9016)

“Alucompact® Sandgrau” lackiertes Aluminium (farbähnlich wie Ral 9002)

“Alucompact® Anthrazitgrau” lackiertes Aluminium (farbähnlich wie Ral 7015)

“Fenix-NTM® Grau London” lackiertes Aluminium (farbähnlich wie Ral Design0805005)

“Fenix-NTM® Grau Bromo” lackiertes Aluminium (farbähnlich wie Ral 7012)

Schwarz lackiertes Aluminium (farbähnlich wie Ral 9004)

Ausführung der Tischplatte/Verlängerungen:

Laminat Alucompact® (Weiß, Sandgrau, Anthrazitgrau, Schwarz)

Laminat Pure-white Weiß

Fenix-NTM® mit schwarzer Kante (Weiß Kos 0032, Grau London 0718, Grau Bromo 0724, Schwarz Ingo 0720)

Fenix-NTM® mit farbiger Kante (Weiß Kos 0032, Grau London 0718)

→ Bei den Tischen, deren Artikelnummern mit Sternchen (*) markiert sind, ist das Hinzufügen einer dritten Verlängerung möglich, wodurch der Tisch noch größer wird.

→ Achtung: Die mit (!) gekennzeichneten Maße oder Ausführungen haben eine längere Produktionszeit: zirka 6 Wochen ab Auftragsdatum.

→ Jene Tische, die im ausgezogenen Zustand eine Länge von 250 cm überschreiten, weisen eine leichte Biegung der Platte auf, die jedoch innerhalb der festgelegten qualitativen Standards liegt.

→ Verstärkte Verpackungsmaterialien siehe Seite 205.

Erweiterbar (▶)

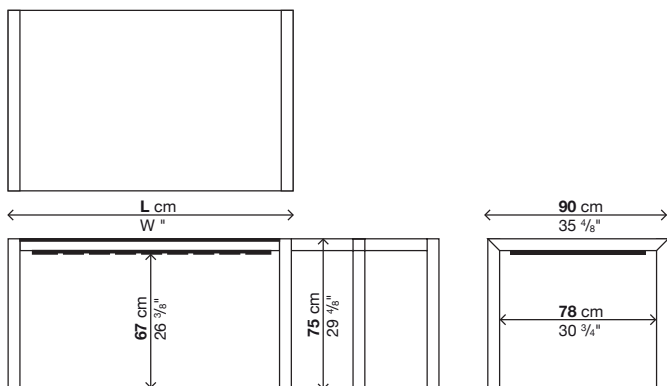
Art.-Nr.	Länge (L)	Breite	Beine	Platte	Preis in EURO	Koll.	V. m ³	Kg
01SUS07*	150-187-224	90	Aluminium	Alucompact	3	0,41	71	
				Pure-white				
				Fenix schwarze Kante				
				Fenix farbige Kante				
			Lackiert	Alucompact				
				Pure-white				
				Fenix schwarze Kante				
				Fenix farbige Kante				
01SUS06	177-214-251-288 <small>dritte Verlängerung standard</small>	90	Aluminium	Alucompact	4	0,5	81	
				Pure-white				
				Fenix schwarze Kante				
				Fenix farbige Kante				
			Lackiert	Alucompact				
				Pure-white				
				Fenix schwarze Kante				
				Fenix farbige Kante				
01SUS09*	200-237-274	90	Aluminium	Alucompact	3	0,51	82	
				Pure-white				
				Fenix schwarze Kante				
				Fenix farbige Kante				
			Lackiert	Alucompact				
				Pure-white				
				Fenix schwarze Kante				
				Fenix farbige Kante				
01SUS35*	220-257-294	90	Aluminium	Alucompact (!)	3	0,55	88	
				Pure-white (!)				
				Fenix schwarze Kante (!)				
				Fenix farbige Kante (!)				
			Lackiert	Alucompact (!)				
				Pure-white (!)				
				Fenix schwarze Kante (!)				
				Fenix farbige Kante (!)				

(*) 3. zusätzliche Verlängerung

Art.-Nr.	Länge (L)	Verlängerung	Preis in EURO	Koll.	V. m ³	Kg
50SUS02A	37,5	Alucompact	1	0,025	6,5	
		Pure-white				
		Fenix schwarze Kante				
		Fenix farbige Kante				

Optionals

Art.-Nr.		Preis in EURO	Koll.	V. m ³	Kg
02GTA02		Zuschnitt der Beine nach Maß	-	-	-



Sushi Alucompact® / Pure-white / Fenix-NTM®

Fixmaße - Breite 90 cm.

Ausführung der Beine:

Eloxiertes Aluminium

Weiß lackiertes Aluminium (farbähnlich wie Ral 9016)

“Alucompact® Sandgrau” lackiertes Aluminium (farbähnlich wie Ral 9002)

“Alucompact® Anthrazitgrau” lackiertes Aluminium (farbähnlich wie Ral 7015)

“Fenix-NTM® Grau London” lackiertes Aluminium (farbähnlich wie Ral Design0805005)

“Fenix-NTM® Grau Bromo” lackiertes Aluminium (farbähnlich wie Ral 7012)

Schwarz lackiertes Aluminium (farbähnlich wie Ral 9004)

Ausführung der Tischplatte:

Laminat Alucompact® (Weiß, Sandgrau, Anthrazitgrau, Schwarz)

Laminat Pure-white Weiß

Fenix-NTM® mit schwarzer Kante (Weiß Kos 0032, Grau London 0718, Grau Bromo 0724, Schwarz Ingo 0720)

Fenix-NTM® mit farbiger Kante (Weiß Kos 0032, Grau London 0718)

→ Achtung: Die mit (!) gekennzeichneten Maße oder Ausführungen haben eine längere Produktionszeit: zirka 6 Wochen ab Auftragsdatum.

→ Jene Tische, die im ausgezogenen Zustand eine Länge von 250 cm überschreiten, weisen eine leichte Biegung der Platte auf, die jedoch innerhalb der festgelegten qualitativen Standards liegt.

→ Die Tische mit Länge 280 und 300 cm besitzen unter der Platte eine zentrale Längsstrebe, eventuelle Kabeldurchlässe können daher nicht in der Mitte, sondern nur leicht versetzt angebracht werden.

→ Verstärkte Verpackungsmaterialien siehe Seite 205.


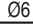
Fixmaße (II)

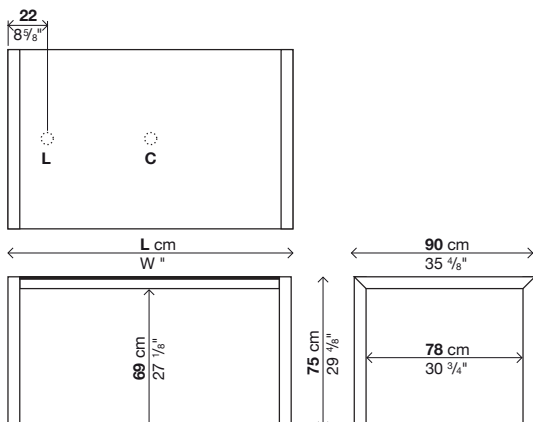
Art.-Nr.	Länge (L)	Breite	Beine	Platte	Preis in EURO	Koll.	V. m ³	Kg
01SUS57F	90	90	Aluminium	Alucompact	1	0,23	30	
				Pure-white				
			Lackiert	Alucompact				
				Pure-white				
01SUS59F	125	90	Aluminium	Alucompact	1	0,3	41	
				Pure-white				
			Lackiert	Alucompact				
				Pure-white				
01SUS07F	150	90	Aluminium	Alucompact	1	0,36	46	
				Pure-white				
				Fenix schwarze Kante				
				Fenix farbige Kante				
			Lackiert	Alucompact				
				Pure-white				
				Fenix schwarze Kante				
				Fenix farbige Kante				
01SUS06F	177	90	Aluminium	Alucompact	1	0,42	52	
				Pure-white				
				Fenix schwarze Kante				
				Fenix farbige Kante				
			Lackiert	Alucompact				
				Pure-white				
				Fenix schwarze Kante				
				Fenix farbige Kante				
01SUS64F	200	90	Aluminium	Alucompact	1	0,46	57	
				Pure-white				
				Fenix schwarze Kante				
				Fenix farbige Kante				
			Lackiert	Alucompact				
				Pure-white				
				Fenix schwarze Kante				
				Fenix farbige Kante				

Fixmaße (II)

Art.-Nr.	Länge (L)	Breite	Beine	Platte	Preis in EURO	Koll.	V. m ³	Kg
01SUS35F	220	90	Aluminium	Alucompact (!)	1	0,5	62	
				Pure-white (!)				
				Fenix schwarze Kante (!)				
			Lackiert	Alucompact (!)				
				Pure-white (!)				
				Fenix farbige Kante (!)				
01SUS68F	240	90	Aluminium	Alucompact (!)	1	0,55	66	
				Pure-white (!)				
			Lackiert	Alucompact (!)				
				Pure-white (!)				
01SUS70F	260	90	Aluminium	Alucompact (!)	1	0,59	71	
				Pure-white (!)				
			Lackiert	Alucompact (!)				
				Pure-white (!)				
01SUS72F	280	90	Aluminium	Alucompact (!)	1	0,63	79	
				Pure-white (!)				
			Lackiert	Alucompact (!)				
				Pure-white (!)				
01SUS74F	300	90	Aluminium	Alucompact (!)	1	0,67	85	
				Pure-white (!)				
			Lackiert	Alucompact (!)				
				Pure-white (!)				

Optionals

Art.-Nr.			Preis in EURO	Koll.	V. m ³	Kg
02GTA02		Zuschnitt der Beine nach Maß	-	-	-	-
02FOR01		seitlicher oder mittlerer Kabeldurchlass	-	-	-	-
02RET02		Kabelnetz, Kunststoffmaterial	1	0,07	1	
02VER01		Kabelschlange, mattes Methacrylat	1	0,007	1,5	
02CPU02		CPU-Träger, mattes Methacrylat	1	0,14	5,5	



Sushi Alucompact® / Pure-white / Fenix-NTM®

Erweiterbar - Breite 100 cm.

Ausführung der Beine:

Eloxiertes Aluminium

Weiß lackiertes Aluminium (farbähnlich wie Ral 9016)

“Alucompact® Sandgrau” lackiertes Aluminium (farbähnlich wie Ral 9002)

“Alucompact® Anthrazitgrau” lackiertes Aluminium (farbähnlich wie Ral 7015)

“Fenix-NTM® Grau London” lackiertes Aluminium (farbähnlich wie Ral Design0805005)

“Fenix-NTM® Grau Bromo” lackiertes Aluminium (farbähnlich wie Ral 7012)

Schwarz lackiertes Aluminium (farbähnlich wie Ral 9004)

Ausführung der Tischplatte/Verlängerungen:

Laminat Alucompact® (Weiß, Sandgrau, Anthrazitgrau, Schwarz)

Laminat Pure-white Weiß

Fenix-NTM® mit schwarzer Kante (Weiß Kos 0032, Grau London 0718, Grau Bromo 0724, Schwarz Ingo 0720)

Fenix-NTM® mit farbiger Kante (Weiß Kos 0032, Grau London 0718)

→ Bei den Tischen, deren Artikelnummern mit Sternchen (*) markiert sind, ist das Hinzufügen einer dritten Verlängerung möglich, wodurch der Tisch noch größer wird.

→ Jene Tische, die im ausgezogenen Zustand eine Länge von 250 cm überschreiten, weisen eine leichte Biegung der Platte auf, die jedoch innerhalb der festgelegten qualitativen Standards liegt.

→ Verstärkte Verpackungsmaterialien siehe Seite 205.


Erweiterbar (▶)

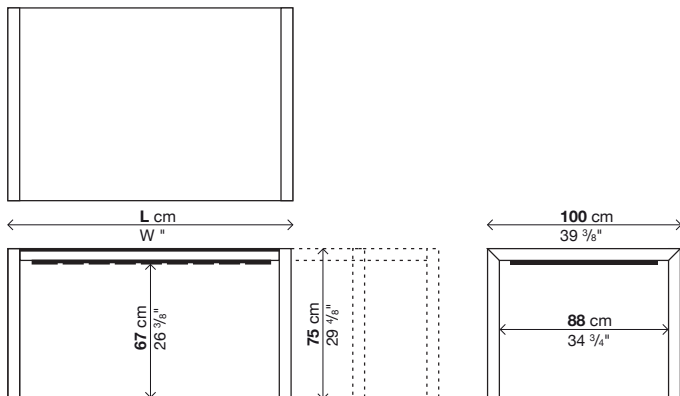
Art.-Nr.	Länge (L)	Breite	Beine	Platte	Preis in EURO	Koll.	V. m ³	Kg
01SUS04	100-170	100	Aluminium	Alucompact	3	0,33	55	
				Pure-white				
			Lackiert	Alucompact				
				Pure-white				
01SUS02*	177-224-271	100	Aluminium	Alucompact	3	0,52	85	
				Pure-white				
				Fenix schwarze Kante				
				Fenix farbige Kante				
			Lackiert	Alucompact				
				Pure-white				
				Fenix schwarze Kante				
				Fenix farbige Kante				
01SUS36*	200-247-294	100	Aluminium	Alucompact	3	0,57	92	
				Pure-white				
				Fenix schwarze Kante				
				Fenix farbige Kante				
			Lackiert	Alucompact				
				Pure-white				
				Fenix schwarze Kante				
				Fenix farbige Kante				
01SUS05*	220-267-314	100	Aluminium	Alucompact	3	0,62	98	
				Pure-white				
				Fenix schwarze Kante				
				Fenix farbige Kante				
			Lackiert	Alucompact				
				Pure-white				
				Fenix schwarze Kante				
				Fenix farbige Kante				

(*) 3. zusätzliche Verlängerung

Art.-Nr.	Länge (L)	Verlängerung	Preis in EURO	Koll.	V. m ³	Kg
50SUS06A	33	Alucompact	1	0,035	6	
		Pure-white				
		Fenix schwarze Kante				
		Fenix farbige Kante				

Optionals

Art.-Nr.		Preis in EURO	Koll.	V. m ³	Kg
02GTA02		Zuschnitt der Beine nach Maß	-	-	-



Sushi Alucompact® / Pure-white / Fenix-NTM®

Fixmaße - Breite 100 cm.

Ausführung der Beine:

Eloxiertes Aluminium

Weiß lackiertes Aluminium (farbähnlich wie Ral 9016)

“Alucompact® Sandgrau” lackiertes Aluminium (farbähnlich wie Ral 9002)

“Alucompact® Anthrazitgrau” lackiertes Aluminium (farbähnlich wie Ral 7015)

“Fenix-NTM® Grau London” lackiertes Aluminium (farbähnlich wie Ral Design0805005)

“Fenix-NTM® Grau Bromo” lackiertes Aluminium (farbähnlich wie Ral 7012)

Schwarz lackiertes Aluminium (farbähnlich wie Ral 9004)

Ausführung der Tischplatte:

Laminat Alucompact® (Weiß, Sandgrau, Anthrazitgrau, Schwarz)

Laminat Pure-white Weiß

Fenix-NTM® mit schwarzer Kante (Weiß Kos 0032, Grau London 0718, Grau Bromo 0724, Schwarz Ingo 0720)

Fenix-NTM® mit farbiger Kante (Weiß Kos 0032, Grau London 0718)

→ Achtung: Die mit (!) gekennzeichneten Maße oder Ausführungen haben eine längere Produktionszeit: zirka 6 Wochen ab Auftragsdatum.

→ Jene Tische, die im ausgezogenen Zustand eine Länge von 250 cm überschreiten, weisen eine leichte Biegung der Platte auf, die jedoch innerhalb der festgelegten qualitativen Standards liegt.

→ Die Tische mit Länge 280 und 300 cm besitzen unter der Platte eine zentrale Längsstrebe, eventuelle Kabeldurchlässe können daher nicht in der Mitte, sondern nur leicht versetzt angebracht werden.

→ Verstärkte Verpackungsmaterialien siehe Seite 205.


Fixmaße (II)

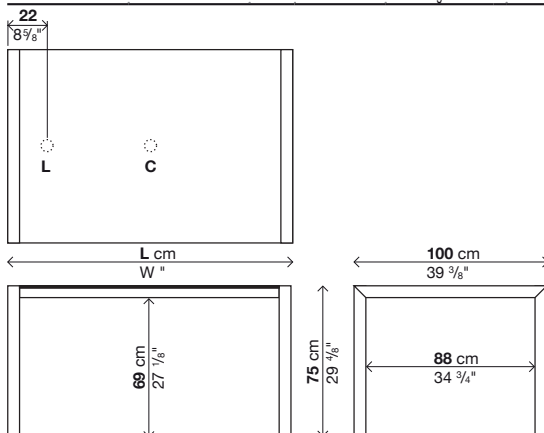
Art.-Nr.	Länge (L)	Breite	Beine	Platte	Preis in EURO	Koll.	V. m ³	Kg
01SUS04F	100	100	Aluminium	Alucompact	1	0,32	40	
				Pure-white				
			Lackiert	Alucompact				
				Pure-white				
01SUS78F	150	100	Aluminium	Alucompact	1	0,39	50	
				Pure-white				
			Lackiert	Alucompact				
				Pure-white				
01SUS02F	177	100	Aluminium	Alucompact	1	0,45	56	
				Pure-white				
				Fenix schwarze Kante				
				Fenix farbige Kante				
			Lackiert	Alucompact				
				Pure-white				
				Fenix schwarze Kante				
				Fenix farbige Kante				
01SUS08F	200	100	Aluminium	Alucompact	1	0,5	62	
				Pure-white				
				Fenix schwarze Kante				
				Fenix farbige Kante				
			Lackiert	Alucompact				
				Pure-white				
				Fenix schwarze Kante				
				Fenix farbige Kante				
01SUS05F	220	100	Aluminium	Alucompact	1	0,55	67	
				Pure-white				
				Fenix schwarze Kante				
				Fenix farbige Kante				
			Lackiert	Alucompact				
				Pure-white				
				Fenix schwarze Kante				
				Fenix farbige Kante				

Fixmaße (II)

Art.-Nr.	Länge (L)	Breite	Beine	Platte	Preis in EURO	Koll.	V. m ³	Kg
01SUS09F	240	100	Aluminium	Alucompact (!)	1	0,6	72	
				Pure-white (!)				
			Lackiert	Alucompact (!)				
				Pure-white (!)				
01SUS80F	260	100	Aluminium	Alucompact (!)	1	0,65	77	
				Pure-white (!)				
			Lackiert	Alucompact (!)				
				Pure-white (!)				
01SUS82F	280	100	Aluminium	Alucompact (!)	1	0,69	85	
				Pure-white (!)				
			Lackiert	Alucompact (!)				
				Pure-white (!)				
01SUS36F	300	100	Aluminium	Alucompact (!)	1	0,74	90	
				Pure-white (!)				
			Lackiert	Alucompact (!)				
				Pure-white (!)				

Optionals

Art.-Nr.			Preis in EURO	Koll.	V. m ³	Kg
02GTA02		Zuschnitt der Beine nach Maß	-	-	-	-
02FOR01	Ø6	seitlicher oder mittlerer Kabeldurchlass	-	-	-	-
02RET03		Kabelnetz, Kunststoffmaterial	1	0,07	1	
02VER01		Kabelschlange, mattes Methacrylat	1	0,007	1,5	
02CPU03		CPU-Träger, mattes Methacrylat	1	0,14	5,5	



Sushi Alucompact® / Pure-white

Fixmaße - Breite 124 cm.

Ausführung der Beine:

Eloxiertes Aluminium

Weiß lackiertes Aluminium (farbähnlich wie Ral 9016)

“Alucompact® Sandgrau” lackiertes Aluminium (farbähnlich wie Ral 9002)

“Alucompact® Anthrazitgrau” lackiertes Aluminium (farbähnlich wie Ral 7015)

Schwarz lackiertes Aluminium (farbähnlich wie Ral 9004)

Ausführung der Tischplatte:

Laminat Alucompact® (Weiß, Sandgrau, Anthrazitgrau, Schwarz)

Laminat Pure-white Weiß

→ Achtung: Die mit (!) gekennzeichneten Maße oder Ausführungen haben eine längere Produktionszeit: zirka 6 Wochen ab Auftragsdatum.



→ Jene Tische, die im ausgezogenen Zustand eine Länge von 250 cm überschreiten, weisen eine leichte Biegung der Platte auf, die jedoch innerhalb der festgelegten qualitativen Standards liegt.

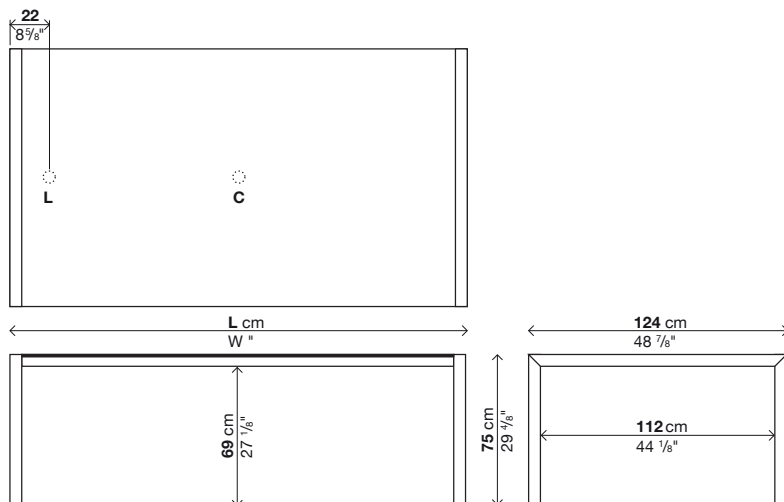
→ Verstärkte Verpackungsmaterialien siehe Seite 205.

Fixmaße (II)

Art.-Nr.	Länge (L)	Breite	Beine	Platte	Preis in EURO	Koll.	V.m ³	Kg
01SUS88F	220	124	Aluminium	Alucompact (!)	1	0,66	86	
				Pure-white (!)				
			Lackiert	Alucompact (!)				
				Pure-white (!)				
01SUS90F	240	124	Aluminium	Alucompact (!)	1	0,72	92	
				Pure-white (!)				
			Lackiert	Alucompact (!)				
				Pure-white (!)				
01SUS92F	288	124	Aluminium	Alucompact (!)	1	0,85	108	
				Pure-white (!)				
			Lackiert	Alucompact (!)				
				Pure-white (!)				

Optionals

Art.-Nr.		Preis in EURO	Koll.	V.m ³	Kg
02GTA02		Zuschnitt der Beine nach Maß	-	-	-
02FOR01		seitlicher oder mittlerer Kabeldurchlass	-	-	-
02RET04		Kabelnetz, Kunststoffmaterial	1	0,07	1
02VER01		Kabelschlange, mattes Methacrylat	1	0,007	1,5
02CPU04		CPU-Träger, mattes Methacrylat	1	0,14	5,5



Sushi DEKTON® by Cosentino

Erweiterbar/Fixmaße - Breite 90/100 cm.

Ausführung der Beine:

Eloxiertes Aluminium
 Weiß lackiertes Aluminium (farbähnlich wie Ral 9016)
 "Grau Ventus" lackiertes Aluminium

Ausführung der Tischplatte:

DEKTON® Weiß Zenith
 DEKTON® Grau Ventus
 DEKTON® Aura (digitaler Marmor)

Ausführung der Verlängerungen:

Weiß lackiertes Aluminium (farbähnlich wie Ral 9016)
 "Grau Ventus" lackiertes Aluminium

→ Achtung: Die auf der Oberfläche der Platten aus DEKTON® Aura (digitaler Marmor) nachgebildeten Aderungen werden auf zufällige Art und Weise angebracht, eine Besonderheit, die jede Platte einzigartig und unwiederholbar macht. Dieses Merkmal führt zu eventuellen Unterschieden bei den Mustern, kann jedoch nicht als Imperfektion oder Anomalie beanstandet werden. Aufgrund der gewollten Zufälligkeit ist auch auf Anfrage keine Erzeugung einer mehr oder weniger gleichmäßigen Aderung möglich.

→ Achtung: Die mit (!) gekennzeichneten Maße oder Ausführungen haben eine längere Produktionszeit: zirka 6 Wochen ab Auftragsdatum.

→ Jene Tische, die im ausgezogenen Zustand eine Länge von 250 cm überschreiten, weisen eine leichte Biegung der Platte auf, die jedoch innerhalb der festgelegten qualitativen Standards liegt.

→ Verstärkte Verpackungsmaterialien siehe Seite 205.

Erweiterbar (▶)

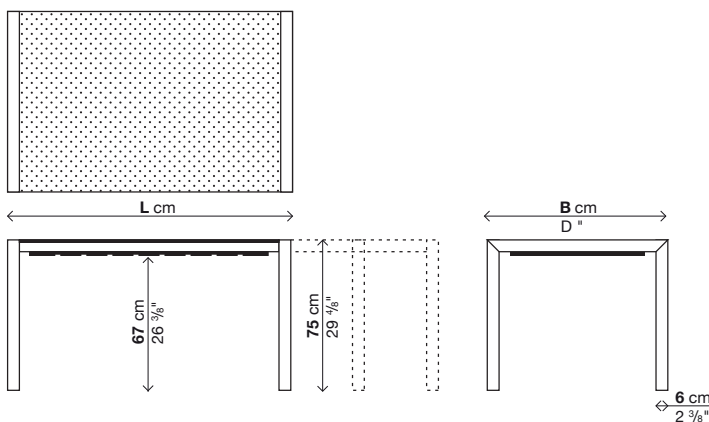
Art.-Nr.	Länge (L)	Breite	Beine	Platte	Preis in EURO	Koll.	V. m ³	Kg
01SUS07	150-187-224	90	Aluminium	DEKTON (!)		3	0,41	89
			Lackiert	DEKTON (!)				
01SUS06	177-214-251	90	Aluminium	DEKTON (!)		3	0,5	102
			Lackiert	DEKTON (!)				
01SUS09	200-237-274	90	Aluminium	DEKTON (!)		3	0,51	105
			Lackiert	DEKTON (!)				
01SUS02	177-214-251	100	Aluminium	DEKTON (!)		3	0,52	108
			Lackiert	DEKTON (!)				
01SUS36	200-237-274	100	Aluminium	DEKTON (!)		3	0,57	118
			Lackiert	DEKTON (!)				

Fixmaße (II)

Art.-Nr.	Länge (L)	Breite	Beine	Platte	Preis in EURO	Koll.	V. m ³	Kg
01SUS07F	150	90	Aluminium	DEKTON (!)		1	0,36	60
			Lackiert	DEKTON (!)				
01SUS06F	177	90	Aluminium	DEKTON (!)		1	0,42	69
			Lackiert	DEKTON (!)				
01SUS64F	200	90	Aluminium	DEKTON (!)		1	0,46	76
			Lackiert	DEKTON (!)				
01SUS02F	177	100	Aluminium	DEKTON (!)		1	0,45	74
			Lackiert	DEKTON (!)				
01SUS08F	200	100	Aluminium	DEKTON (!)		1	0,5	83
			Lackiert	DEKTON (!)				
01SUS09F	240	100	Aluminium	DEKTON (!)		1	0,6	97
			Lackiert	DEKTON (!)				
01SUS82F	280	100	Aluminium	DEKTON (!)		1	0,69	115
			Lackiert	DEKTON (!)				

Optionals

Art.-Nr.	Breite		Preis in EURO	Koll.	V. m ³	Kg
02GTA02		Zuschnitt der Beine nach Maß	-	-	-	-
02RET01	80	Kabelnetz, Kunststoffmaterial	1	0,07	1	
02RET02	90	Kabelnetz, Kunststoffmaterial	1	0,07	1	
02RET03	100	Kabelnetz, Kunststoffmaterial	1	0,07	1	
02VER01		Kabelschlange, mattes Methacrylat	1	0,007	1,5	
02CPU01	80	CPU-Träger, mattes Methacrylat	1	0,14	5,5	
02CPU02	90	CPU-Träger, mattes Methacrylat	1	0,14	5,5	
02CPU03	100	CPU-Träger, mattes Methacrylat	1	0,14	5,5	



HIGHLY UV RESISTANT



RESISTANT TO ABRASION



RESISTANT TO STAIN



MAXIMUM RESISTANCE TO FIRE AND HEAT



LOW WATER ABSORPTION



HIGH MECHANICAL RESISTANCE



COLOUR STABILITY



DIMENSIONAL STABILITY



FIREPROOF MATERIAL

Sushi Glas

Erweiterbar - Breite 80 cm.

Ausführung der Beine:

Eloxiertes Aluminium

Weiß lackiertes Aluminium (farbähnlich wie Ral 9016)

Schwarz lackiertes Aluminium (farbähnlich wie Ral 9004)

Ausführung der Tischplatte:

Glas Hochglanz in Standardfarben: Extraweiß, Anthrazit, Schwarz, Titan

Glas Hochglanz in Farben der Skala RAL/NCS auf Anfrage

Mattes Glas in den Farben: Extraweiß, Anthrazit, Schwarz, Titan

Ausführung der Verlängerungen:

Laminat Alucompact® Weiß

Laminat Alucompact® Sandgrau

Laminat Alucompact® Anthrazitgrau

Laminat Alucompact® Schwarz

→ Bei den Tischen, deren Artikelnummern mit Sternchen (*) markiert sind, ist das Hinzufügen einer dritten Verlängerung möglich, wodurch der Tisch noch größer wird.

→ Achtung: Die mit (!) gekennzeichneten Maße oder Ausführungen haben eine längere Produktionszeit: zirka 6 Wochen ab Auftragsdatum.

→ Achtung: Farbabweichungen bei den gewählten Farben der Musterkarte RAL/NCS sind unausweichlich und beruhen auf der Farbbrechung durch die Stärke des Glases. In den Farbtönen Weiß sind keine RAL/NCS Farben auf Anfrage möglich.

→ Jene Tische, die im ausgezogenen Zustand eine Länge von 250 cm überschreiten, weisen eine leichte Biegung der Platte auf, die jedoch innerhalb der festgelegten qualitativen Standards liegt.

→ Verstärkte Verpackungsmaterialien siehe Seite 205.


Erweiterbar (▶)

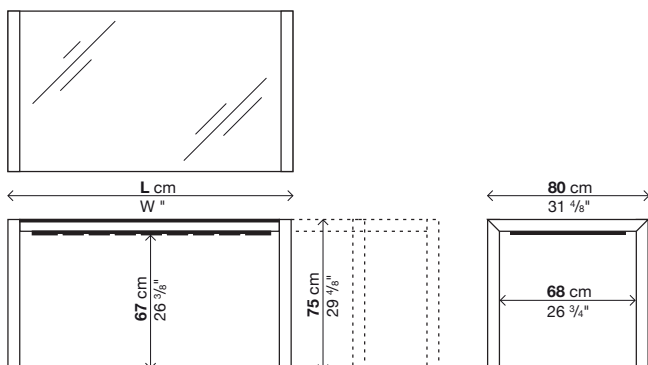
Art.-Nr.	Länge (L)	Breite	Beine	Platte	Preis in EURO	Koll.	V. m ²	Kg
01SUS11	125-165-205	80	Aluminium	Standard Hochgl.	3	0,32	64	
				RAL/NCS Hochgl. (!)				
				Glas matt				
			Lackiert	Standard Hochgl.				
				RAL/NCS Hochgl. (!)				
				Glas matt				
01SUS13*	150-190-230	80	Aluminium	Standard Hochgl.	3	0,37	72	
				RAL/NCS Hochgl. (!)				
				Glas matt				
			Lackiert	Standard Hochgl.				
				RAL/NCS Hochgl. (!)				
				Glas matt				
01SUS16*	177-217-257	80	Aluminium	Standard Hochgl.	3	0,42	79	
				RAL/NCS Hochgl. (!)				
				Glas matt				
			Lackiert	Standard Hochgl.				
				RAL/NCS Hochgl. (!)				
				Glas matt				

(*) 3. zusätzliche Verlängerung

Art.-Nr.	Länge (L)	Verlängerung	Preis in EURO	Koll.	V. m ²	Kg
50SUS05A	33	Alucompact		1	0,025	6

Optionals

Art.-Nr.			Preis in EURO	Koll.	V. m ²	Kg
02GTA02		Zuschnitt der Beine nach Maß		-	-	-



Sushi Glas

Fixmaße - Breite 80 cm.

Ausführung der Beine:

Eloxiertes Aluminium

Weiß lackiertes Aluminium (farbähnlich wie Ral 9016)

Schwarz lackiertes Aluminium (farbähnlich wie Ral 9004)

Ausführung der Tischplatte:

Glas Hochglanz in Standardfarben: Extraweiß, Anthrazit, Schwarz, Titan

Glas Hochglanz in Farben der Skala RAL/NCS auf Anfrage

Mattes Glas in den Farben: Extraweiß, Anthrazit, Schwarz, Titan

→ Achtung: Die mit (!) gekennzeichneten Maße oder Ausführungen haben eine längere Produktionszeit: zirka 6 Wochen ab Auftragsdatum.

→ Achtung: Farbabweichungen bei den gewählten Farben der Musterkarte RAL/NCS sind unausweichlich und beruhen auf der Farbbrechung durch die Stärke des Glases.

In den Farbtönen Weiß sind keine RAL/NCS Farben auf Anfrage möglich.

→ Jene Tische, die im ausgezogenen Zustand eine Länge von 250 cm überschreiten, weisen eine leichte Biegung der Platte auf, die jedoch innerhalb der festgelegten qualitativen Standards liegt.

→ Verstärkte Verpackungsmaterialien siehe Seite 205.


Fixmaße (II)

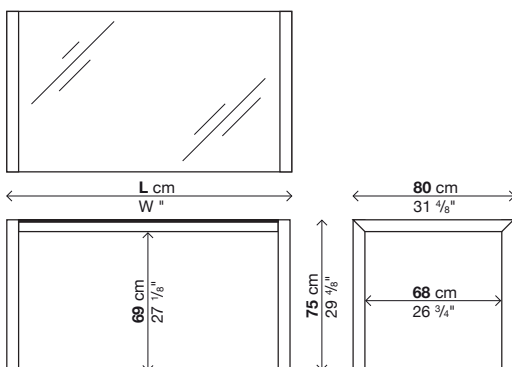
Art.-Nr.	Länge (L)	Breite	Beine	Platte	Preis in EURO	Koll.	V.m ²	Kg
01SUS31F	80	80	Aluminium	Standard Hochgl.	1	0,18	31	
				RAL/NCS Hochgl. (!)				
				Glas matt				
			Lackiert	Standard Hochgl.				
				RAL/NCS Hochgl. (!)				
				Glas matt				
01SUS11F	125	80	Aluminium	Standard Hochgl.	1	0,27	44	
				RAL/NCS Hochgl. (!)				
				Glas matt				
			Lackiert	Standard Hochgl.				
				RAL/NCS Hochgl. (!)				
				Glas matt				
01SUS13F	150	80	Aluminium	Standard Hochgl.	1	0,32	52	
				RAL/NCS Hochgl. (!)				
				Glas matt				
			Lackiert	Standard Hochgl.				
				RAL/NCS Hochgl. (!)				
				Glas matt				
01SUS33F	177	80	Aluminium	Standard Hochgl.	1	0,37	58	
				RAL/NCS Hochgl. (!)				
				Glas matt				
			Lackiert	Standard Hochgl.				
				RAL/NCS Hochgl. (!)				
				Glas matt				
01SUS37F	200	80	Aluminium	Standard Hochgl.	1	0,41	66	
				RAL/NCS Hochgl. (!)				
				Glas matt				
			Lackiert	Standard Hochgl.				
				RAL/NCS Hochgl. (!)				
				Glas matt				

Fixmaße (II)

Art.-Nr.	Länge (L)	Breite	Beine	Platte	Preis in EURO	Koll.	V.m ²	Kg
01SUS39F	220	80	Aluminium	Standard Hochgl. (!)	1	0,45	72	
				RAL/NCS Hochgl. (!)				
				Glas matt (!)				
			Lackiert	Standard Hochgl. (!)				
				RAL/NCS Hochgl. (!)				
				Glas matt (!)				
01SUS45F	240	80	Aluminium	Standard Hochgl. (!)	1	0,49	77	
				RAL/NCS Hochgl. (!)				
				Glas matt (!)				
			Lackiert	Standard Hochgl. (!)				
				RAL/NCS Hochgl. (!)				
				Glas matt (!)				
01SUS49F	260	80	Aluminium	Standard Hochgl. (!)	1	0,53	83	
				RAL/NCS Hochgl. (!)				
				Glas matt (!)				
			Lackiert	Standard Hochgl. (!)				
				RAL/NCS Hochgl. (!)				
				Glas matt (!)				
01SUS53F	280	80	Aluminium	Standard Hochgl. (!)	1	0,57	88	
				RAL/NCS Hochgl. (!)				
				Glas matt (!)				
			Lackiert	Standard Hochgl. (!)				
				RAL/NCS Hochgl. (!)				
				Glas matt (!)				
01SUS56F	300	80	Aluminium	Standard Hochgl. (!)	1	0,61	94	
				RAL/NCS Hochgl. (!)				
				Glas matt (!)				
			Lackiert	Standard Hochgl. (!)				
				RAL/NCS Hochgl. (!)				
				Glas matt (!)				

Optionals

Art.-Nr.			Preis in EURO	Koll.	V.m ²	Kg
02GTA02		Zuschnitt der Beine nach Maß	-	-	-	-
02RET01		Kabelnetz, Kunststoffmaterial	1	0,07	1	
02VER01		Kabelschlange, mattes Methacrylat	1	0,007	1,5	
02CPU01		CPU-Träger, mattes Methacrylat	1	0,14	5,5	



Sushi Glas

Erweiterbar - Breite 90 cm.

Ausführung der Beine:

Eloxiertes Aluminium

Weiß lackiertes Aluminium (farbähnlich wie Ral 9016)

Schwarz lackiertes Aluminium (farbähnlich wie Ral 9004)

Ausführung der Tischplatte:

Glas Hochglanz in Standardfarben: Extraweiß, Anthrazit, Schwarz, Titan

Glas Hochglanz in Farben der Skala RAL/NCS auf Anfrage

Mattes Glas in den Farben: Extraweiß, Anthrazit, Schwarz, Titan

Ausführung der Verlängerungen:

Laminat Alucompact® Weiß

Laminat Alucompact® Sandgrau

Laminat Alucompact® Anthrazitgrau

Laminat Alucompact® Schwarz

→ Bei den Tischen, deren Artikelnummern mit Sternchen (*) markiert sind, ist das Hinzufügen einer dritten Verlängerung möglich, wodurch der Tisch noch größer wird.

→ Achtung: Die mit (!) gekennzeichneten Maße oder Ausführungen haben eine längere Produktionszeit: zirka 6 Wochen ab Auftragsdatum.

→ Achtung: Farbabweichungen bei den gewählten Farben der Musterkarte RAL/NCS sind unausweichlich und beruhen auf der Farbbrechung durch die Stärke des Glases. In den Farbtönen Weiß sind keine RAL/NCS Farben auf Anfrage möglich.

→ Jene Tische, die im ausgezogenen Zustand eine Länge von 250 cm überschreiten, weisen eine leichte Biegung der Platte auf, die jedoch innerhalb der festgelegten qualitativen Standards liegt.

→ Verstärkte Verpackungsmaterialien siehe Seite 205.


Erweiterbar (▶)

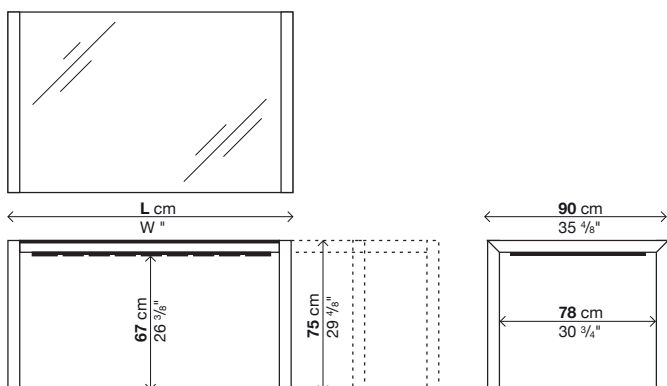
Art.-Nr.	Länge (L)	Breite	Beine	Platte	Preis in EURO	Koll.	V. m ²	Kg
01SUS17*	150-187-224	90	Aluminium	Standard Hochgl.	3	0,41	81	
				RAL/NCS Hochgl. (!)				
				Glas matt				
			Lackiert	Standard Hochgl.				
				RAL/NCS Hochgl. (!)				
				Glas matt				
01SUS15	177-214-251-288 <i>dritte Verlängerung standard</i>	90	Aluminium	Standard Hochgl.	4	0,5	96	
				RAL/NCS Hochgl. (!)				
				Glas matt				
			Lackiert	Standard Hochgl.				
				RAL/NCS Hochgl. (!)				
				Glas matt				
01SUS18*	200-237-274	90	Aluminium	Standard Hochgl.	3	0,51	98	
				RAL/NCS Hochgl. (!)				
				Glas matt				
			Lackiert	Standard Hochgl.				
				RAL/NCS Hochgl. (!)				
				Glas matt				
01SUS52*	220-257-294	90	Aluminium	Standard Hochgl.	3	0,55	105	
				RAL/NCS Hochgl. (!)				
				Glas matt				
			Lackiert	Standard Hochgl.				
				RAL/NCS Hochgl. (!)				
				Glas matt				

(*) 3. zusätzliche Verlängerung

Art.-Nr.	Länge (L)	Verlängerung	Preis in EURO	Koll.	V. m ²	Kg
50SUS02A	37,5	Alucompact		1	0,025	6,5

Optionals

Art.-Nr.		Preis in EURO	Koll.	V. m ²	Kg
02GTA02	 Zuschnitt der Beine nach Maß		-	-	-



Sushi Glas

Fixmaße - Breite 90 cm.

Ausführung der Beine:

Eloxiertes Aluminium

Weiß lackiertes Aluminium (farbähnlich wie Ral 9016)

Schwarz lackiertes Aluminium (farbähnlich wie Ral 9004)

Ausführung der Tischplatte:

Glas Hochglanz in Standardfarben: Extraweiß, Anthrazit, Schwarz, Titan

Glas Hochglanz in Farben der Skala RAL/NCS auf Anfrage

Mattes Glas in den Farben: Extraweiß, Anthrazit, Schwarz, Titan

→ Achtung: Die mit (!) gekennzeichneten Maße oder Ausführungen haben eine längere Produktionszeit: zirka 6 Wochen ab Auftragsdatum.

→ Achtung: Farbabweichungen bei den gewählten Farben der Musterkarte RAL/NCS sind unausweichlich und beruhen auf der Farbbrechung durch die Stärke des Glases.

In den Farbtönen Weiß sind keine RAL/NCS Farben auf Anfrage möglich.

→ Jene Tische, die im ausgezogenen Zustand eine Länge von 250 cm überschreiten, weisen eine leichte Biegung der Platte auf, die jedoch innerhalb der festgelegten qualitativen Standards liegt.

→ Verstärkte Verpackungsmaterialien siehe Seite 205.


Fixmaße (II)

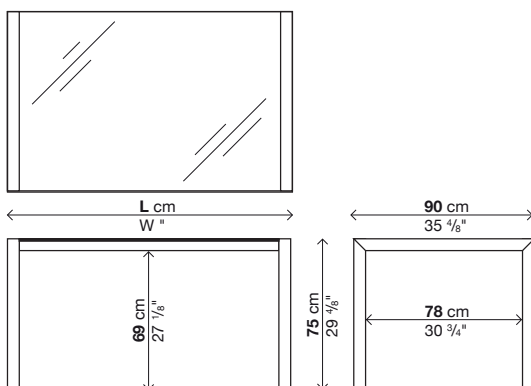
Art.-Nr.	Länge (L)	Breite	Beine	Platte	Preis in EURO	Koll.	V.m ²	Kg
01SUS58F	90	90	Aluminium	Standard Hochgl.	1	0,23	37	
				RAL/NCS Hochgl. (!)				
				Glas matt				
			Lackiert	Standard Hochgl.				
				RAL/NCS Hochgl. (!)				
				Glas matt				
01SUS63F	125	90	Aluminium	Standard Hochgl.	1	0,3	51	
				RAL/NCS Hochgl. (!)				
				Glas matt				
			Lackiert	Standard Hochgl.				
				RAL/NCS Hochgl. (!)				
				Glas matt				
01SUS17F	150	90	Aluminium	Standard Hochgl.	1	0,36	58	
				RAL/NCS Hochgl. (!)				
				Glas matt				
			Lackiert	Standard Hochgl.				
				RAL/NCS Hochgl. (!)				
				Glas matt				
01SUS15F	177	90	Aluminium	Standard Hochgl.	1	0,42	67	
				RAL/NCS Hochgl. (!)				
				Glas matt				
			Lackiert	Standard Hochgl.				
				RAL/NCS Hochgl. (!)				
				Glas matt				
01SUS67F	200	90	Aluminium	Standard Hochgl.	1	0,46	74	
				RAL/NCS Hochgl. (!)				
				Glas matt				
			Lackiert	Standard Hochgl.				
				RAL/NCS Hochgl. (!)				
				Glas matt				

Fixmaße (II)

Art.-Nr.	Länge (L)	Breite	Beine	Platte	Preis in EURO	Koll.	V.m ²	Kg
01SUS52F	220	90	Aluminium	Standard Hochgl. (!)	1	0,5	80	
				RAL/NCS Hochgl. (!)				
				Glas matt (!)				
			Lackiert	Standard Hochgl. (!)				
				RAL/NCS Hochgl. (!)				
				Glas matt (!)				
01SUS69F	240	90	Aluminium	Standard Hochgl. (!)	1	0,55	86	
				RAL/NCS Hochgl. (!)				
				Glas matt (!)				
			Lackiert	Standard Hochgl. (!)				
				RAL/NCS Hochgl. (!)				
				Glas matt (!)				
01SUS71F	260	90	Aluminium	Standard Hochgl. (!)	1	0,59	92	
				RAL/NCS Hochgl. (!)				
				Glas matt (!)				
			Lackiert	Standard Hochgl. (!)				
				RAL/NCS Hochgl. (!)				
				Glas matt (!)				
01SUS73F	280	90	Aluminium	Standard Hochgl. (!)	1	0,63	103	
				RAL/NCS Hochgl. (!)				
				Glas matt (!)				
			Lackiert	Standard Hochgl. (!)				
				RAL/NCS Hochgl. (!)				
				Glas matt (!)				
01SUS75F	300	90	Aluminium	Standard Hochgl. (!)	1	0,67	109	
				RAL/NCS Hochgl. (!)				
				Glas matt (!)				
			Lackiert	Standard Hochgl. (!)				
				RAL/NCS Hochgl. (!)				
				Glas matt (!)				

Optionals

Art.-Nr.			Preis in EURO	Koll.	V.m ²	Kg
02GTA02		Zuschnitt der Beine nach Maß	-	-	-	-
02RET02		Kabelnetz, Kunststoffmaterial	1	0,07	1	
02VER01		Kabelschlange, mattes Methacrylat	1	0,007	1,5	
02CPU02		CPU-Träger, mattes Methacrylat	1	0,14	5,5	



Sushi Glas

Erweiterbar - Breite 100 cm.

Ausführung der Beine:

Eloxiertes Aluminium

Weiß lackiertes Aluminium (farbähnlich wie Ral 9016)

Schwarz lackiertes Aluminium (farbähnlich wie Ral 9004)

Ausführung der Tischplatte:

Glas Hochglanz in Standardfarben: Extraweiß, Anthrazit, Schwarz, Titan

Glas Hochglanz in Farben der Skala RAL/NCS auf Anfrage

Mattes Glas in den Farben: Extraweiß, Anthrazit, Schwarz, Titan

Ausführung der Verlängerungen:

Laminat Alucompact® Weiß

Laminat Alucompact® Sandgrau

Laminat Alucompact® Anthrazitgrau

Laminat Alucompact® Schwarz

→ Bei den Tischen, deren Artikelnummern mit Sternchen (*) markiert sind, ist das Hinzufügen einer dritten Verlängerung möglich, wodurch der Tisch noch größer wird.

→ Achtung: Die mit (!) gekennzeichneten Maße oder Ausführungen haben eine längere Produktionszeit: zirka 6 Wochen ab Auftragsdatum.

→ Achtung: Farbabweichungen bei den gewählten Farben der Musterkarte RAL/NCS sind unausweichlich und beruhen auf der Farbbrechung durch die Stärke des Glases. In den Farbtönen Weiß sind keine RAL/NCS Farben auf Anfrage möglich.

→ Jene Tische, die im ausgezogenen Zustand eine Länge von 250 cm überschreiten, weisen eine leichte Biegung der Platte auf, die jedoch innerhalb der festgelegten qualitativen Standards liegt.

→ Verstärkte Verpackungsmaterialien siehe Seite 205.

Erweiterbar (▶)

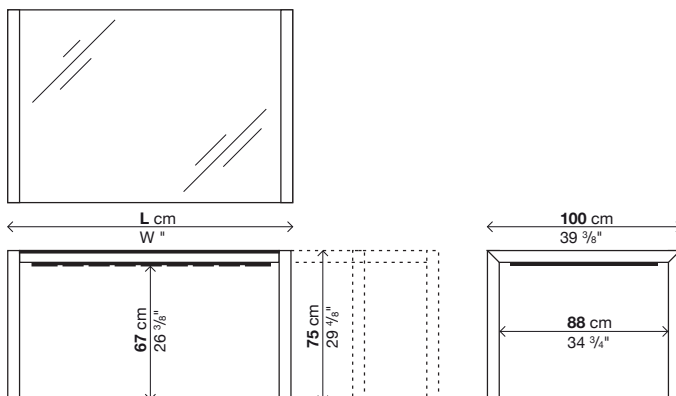
Art.-Nr.	Länge (L)	Breite	Beine	Platte	Preis in EURO	Koll.	V. m ²	Kg
01SUS14	100-170	100	Aluminium	Standard Hochgl.	3	0,33	63	
				RAL/NCS Hochgl. (!)				
				Glas matt				
			Lackiert	Standard Hochgl.				
				RAL/NCS Hochgl. (!)				
				Glas matt				
01SUS12*	177-224-271	100	Aluminium	Standard Hochgl.	3	0,52	101	
				RAL/NCS Hochgl. (!)				
				Glas matt				
			Lackiert	Standard Hochgl.				
				RAL/NCS Hochgl. (!)				
				Glas matt				
01SUS20*	200-247-294	100	Aluminium	Standard Hochgl.	3	0,57	108	
				RAL/NCS Hochgl. (!)				
				Glas matt				
			Lackiert	Standard Hochgl.				
				RAL/NCS Hochgl. (!)				
				Glas matt				
01SUS19*	220-267-314	100	Aluminium	Standard Hochgl.	3	0,62	118	
				RAL/NCS Hochgl. (!)				
				Glas matt				
			Lackiert	Standard Hochgl.				
				RAL/NCS Hochgl. (!)				
				Glas matt				

(*) 3. zusätzliche Verlängerung

Art.-Nr.	Länge (L)	Verlängerung	Preis in EURO	Koll.	V. m ²	Kg
50SUS06A	33	Alucompact		1	0,035	6

Optionals

Art.-Nr.		Preis in EURO	Koll.	V. m ²	Kg
02GTA02	✂	Zuschnitt der Beine nach Maß	-	-	-



Sushi Glas

Fixmaße - Breite 100 cm.

Ausführung der Beine:

Eloxiertes Aluminium

Weiß lackiertes Aluminium (farbähnlich wie Ral 9016)

Schwarz lackiertes Aluminium (farbähnlich wie Ral 9004)

Ausführung der Tischplatte:

Glas Hochglanz in Standardfarben: Extraweiß, Anthrazit, Schwarz, Titan

Glas Hochglanz in Farben der Skala RAL/NCS auf Anfrage

Mattes Glas in den Farben: Extraweiß, Anthrazit, Schwarz, Titan

→ Achtung: Die mit (!) gekennzeichneten Maße oder Ausführungen haben eine längere Produktionszeit: zirka 6 Wochen ab Auftragsdatum.

→ Achtung: Farbabweichungen bei den gewählten Farben der Musterkarte RAL/NCS sind unausweichlich und beruhen auf der Farbbrechung durch die Stärke des Glases.

In den Farbtönen Weiß sind keine RAL/NCS Farben auf Anfrage möglich.

→ Jene Tische, die im ausgezogenen Zustand eine Länge von 250 cm überschreiten, weisen eine leichte Biegung der Platte auf, die jedoch innerhalb der festgelegten qualitativen Standards liegt.

→ Verstärkte Verpackungsmaterialien siehe Seite 205.


Fixmaße (II)

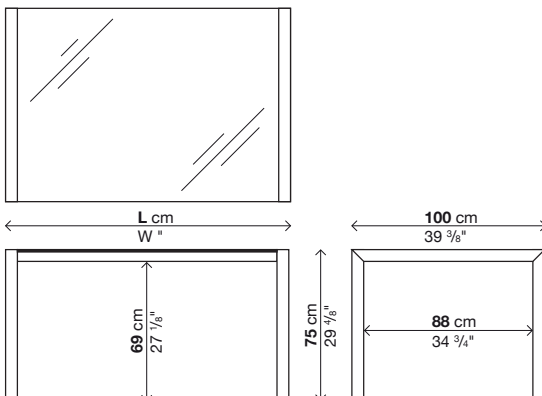
Art.-Nr.	Länge (L)	Breite	Beine	Platte	Preis in EURO	Koll.	V.m ²	Kg
01SUS14F	100	100	Aluminium	Standard Hochgl.	1	0,27	45	
				RAL/NCS Hochgl. (!)				
				Glas matt				
			Lackiert	Standard Hochgl.				
				RAL/NCS Hochgl. (!)				
				Glas matt				
01SUS79F	150	100	Aluminium	Standard Hochgl.	1	0,39	63	
				RAL/NCS Hochgl. (!)				
				Glas matt				
			Lackiert	Standard Hochgl.				
				RAL/NCS Hochgl. (!)				
				Glas matt				
01SUS12F	177	100	Aluminium	Standard Hochgl.	1	0,45	72	
				RAL/NCS Hochgl. (!)				
				Glas matt				
			Lackiert	Standard Hochgl.				
				RAL/NCS Hochgl. (!)				
				Glas matt				
01SUS16F	200	100	Aluminium	Standard Hochgl.	1	0,5	80	
				RAL/NCS Hochgl. (!)				
				Glas matt				
			Lackiert	Standard Hochgl.				
				RAL/NCS Hochgl. (!)				
				Glas matt				
01SUS19F	220	100	Aluminium	Standard Hochgl.	1	0,55	87	
				RAL/NCS Hochgl. (!)				
				Glas matt				
			Lackiert	Standard Hochgl.				
				RAL/NCS Hochgl. (!)				
				Glas matt				

Fixmaße (II)

Art.-Nr.	Länge (L)	Breite	Beine	Platte	Preis in EURO	Koll.	V.m ²	Kg
01SUS50F	240	100	Aluminium	Standard Hochgl. (!)	1	0,6	93	
				RAL/NCS Hochgl. (!)				
				Glas matt (!)				
			Lackiert	Standard Hochgl. (!)				
				RAL/NCS Hochgl. (!)				
				Glas matt (!)				
01SUS81F	260	100	Aluminium	Standard Hochgl. (!)	1	0,65	100	
				RAL/NCS Hochgl. (!)				
				Glas matt (!)				
			Lackiert	Standard Hochgl. (!)				
				RAL/NCS Hochgl. (!)				
				Glas matt (!)				
01SUS83F	280	100	Aluminium	Standard Hochgl. (!)	1	0,69	110	
				RAL/NCS Hochgl. (!)				
				Glas matt (!)				
			Lackiert	Standard Hochgl. (!)				
				RAL/NCS Hochgl. (!)				
				Glas matt (!)				
01SUS54F	300	100	Aluminium	Standard Hochgl. (!)	1	0,74	118	
				RAL/NCS Hochgl. (!)				
				Glas matt (!)				
			Lackiert	Standard Hochgl. (!)				
				RAL/NCS Hochgl. (!)				
				Glas matt (!)				

Optionals

Art.-Nr.			Preis in EURO	Koll.	V.m ²	Kg
02GTA02		Zuschnitt der Beine nach Maß	-	-	-	-
02RET03		Kabelnetz, Kunststoffmaterial	1	0,07	1	
02VER01		Kabelschlange, mattes Methacrylat	1	0,007	1,5	
02CPU03		CPU-Träger, mattes Methacrylat	1	0,14	5,5	



Sushi Glas

Fixmaße - Breite 124 cm.

Ausführung der Beine:

Eloxiertes Aluminium

Weiß lackiertes Aluminium (farbähnlich wie Ral 9016)

Schwarz lackiertes Aluminium (farbähnlich wie Ral 9004)

Ausführung der Tischplatte:

Glas Hochglanz in Standardfarben: Extraweiß, Anthrazit, Schwarz, Titan

Glas Hochglanz in Farben der Skala RAL/NCS auf Anfrage

Mattes Glas in den Farben: Extraweiß, Anthrazit, Schwarz, Titan

→ Achtung: Die mit (!) gekennzeichneten Maße oder Ausführungen haben eine längere Produktionszeit: zirka 6 Wochen ab Auftragsdatum.

→ Achtung: Farbabweichungen bei den gewählten Farben der Musterkarte RAL/NCS sind unausweichlich und beruhen auf der Farbbrechung durch die Stärke des Glases.

In den Farbtönen Weiß sind keine RAL/NCS Farben auf Anfrage möglich.


→ Jene Tische, die im ausgezogenen Zustand eine Länge von 250 cm überschreiten, weisen eine leichte Biegung der Platte auf, die jedoch innerhalb der festgelegten qualitativen Standards liegt.

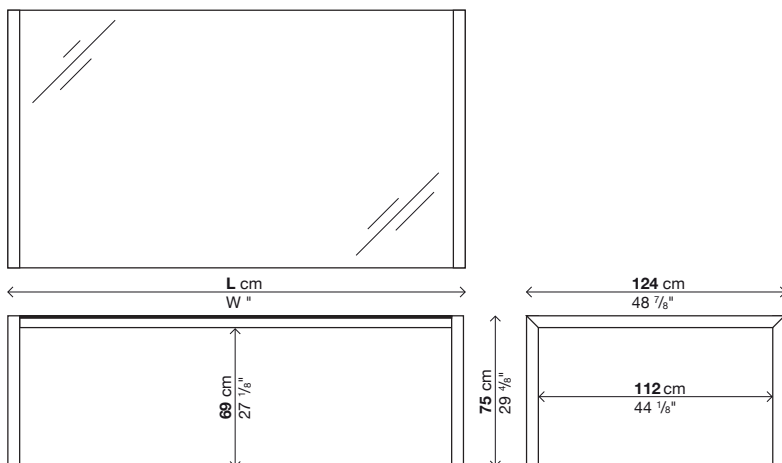
→ Verstärkte Verpackungsmaterialien siehe Seite 205.

Fixmaße (II)

Art.-Nr.	Länge (L)	Breite	Beine	Platte	Preis in EURO	Koll.	V.m ²	Kg
01SUS89F	220	124	Aluminium	Standard Hochgl. (!)	1	0,66	109	
				RAL/NCS Hochgl. (!)				
				Glas matt (!)				
			Lackiert	Standard Hochgl. (!)				
				RAL/NCS Hochgl. (!)				
				Glas matt (!)				
01SUS91F	240	124	Aluminium	Standard Hochgl. (!)	1	0,72	118	
				RAL/NCS Hochgl. (!)				
				Glas matt (!)				
			Lackiert	Standard Hochgl. (!)				
				RAL/NCS Hochgl. (!)				
				Glas matt (!)				
01SUS93F	288	124	Aluminium	Standard Hochgl. (!)	1	0,85	140	
				RAL/NCS Hochgl. (!)				
				Glas matt (!)				
			Lackiert	Standard Hochgl. (!)				
				RAL/NCS Hochgl. (!)				
				Glas matt (!)				

Optionals

Art.-Nr.		Preis in EURO	Koll.	V.m ²	Kg
02GTA02		Zuschnitt der Beine nach Maß	-	-	-
02RET04		Kabelnetz, Kunststoffmaterial	1	0,07	1
02VER01		Kabelschlange, mattes Methacrylat	1	0,007	1,5
02CPU04		CPU-Träger, mattes Methacrylat	1	0,14	5,5



Sushi Glas

Fixmaße - Breite 140 cm.

Ausführung der Beine:

Eloxiertes Aluminium

Weiß lackiertes Aluminium (farbähnlich wie Ral 9016)

Schwarz lackiertes Aluminium (farbähnlich wie Ral 9004)

Ausführung der Tischplatte:

Glas Hochglanz in Standardfarben: Extraweiß, Anthrazit, Schwarz, Titan

Glas Hochglanz in Farben der Skala RAL/NCS auf Anfrage

Mattes Glas in den Farben: Extraweiß, Anthrazit, Schwarz, Titan

→ Achtung: Die mit (!) gekennzeichneten Maße oder Ausführungen haben eine längere Produktionszeit: zirka 6 Wochen ab Auftragsdatum.


→ Achtung: Farbabweichungen bei den gewählten Farben der Musterkarte RAL/NCS sind unausweichlich und beruhen auf der Farbbrechung durch die Stärke des Glases.
In den Farbtönen Weiß sind keine RAL/NCS Farben auf Anfrage möglich.

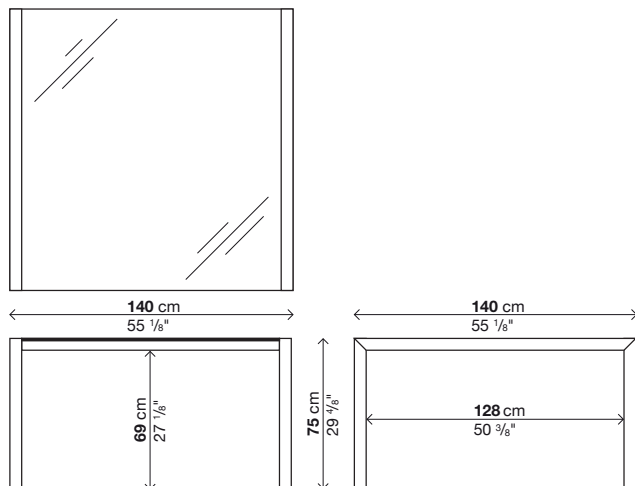
→ Verstärkte Verpackungsmaterialien siehe Seite 205.

Fixmaße (II)

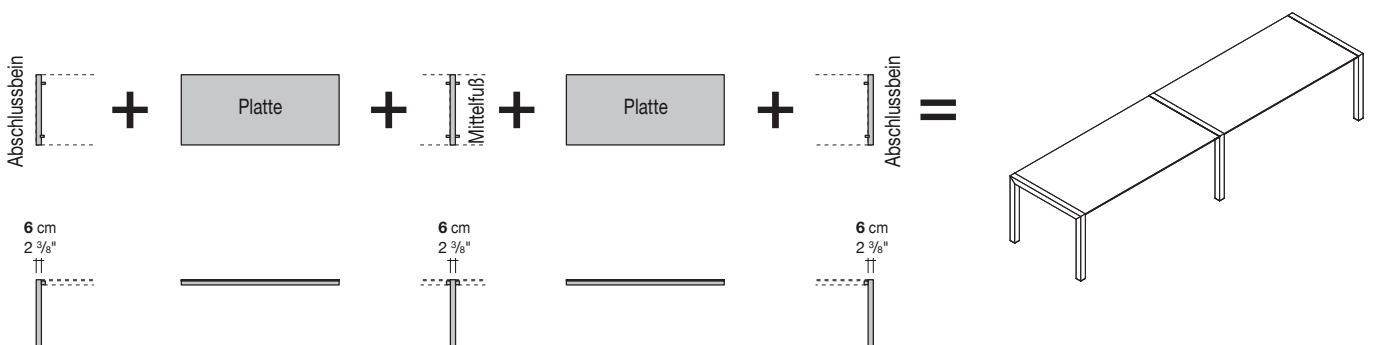
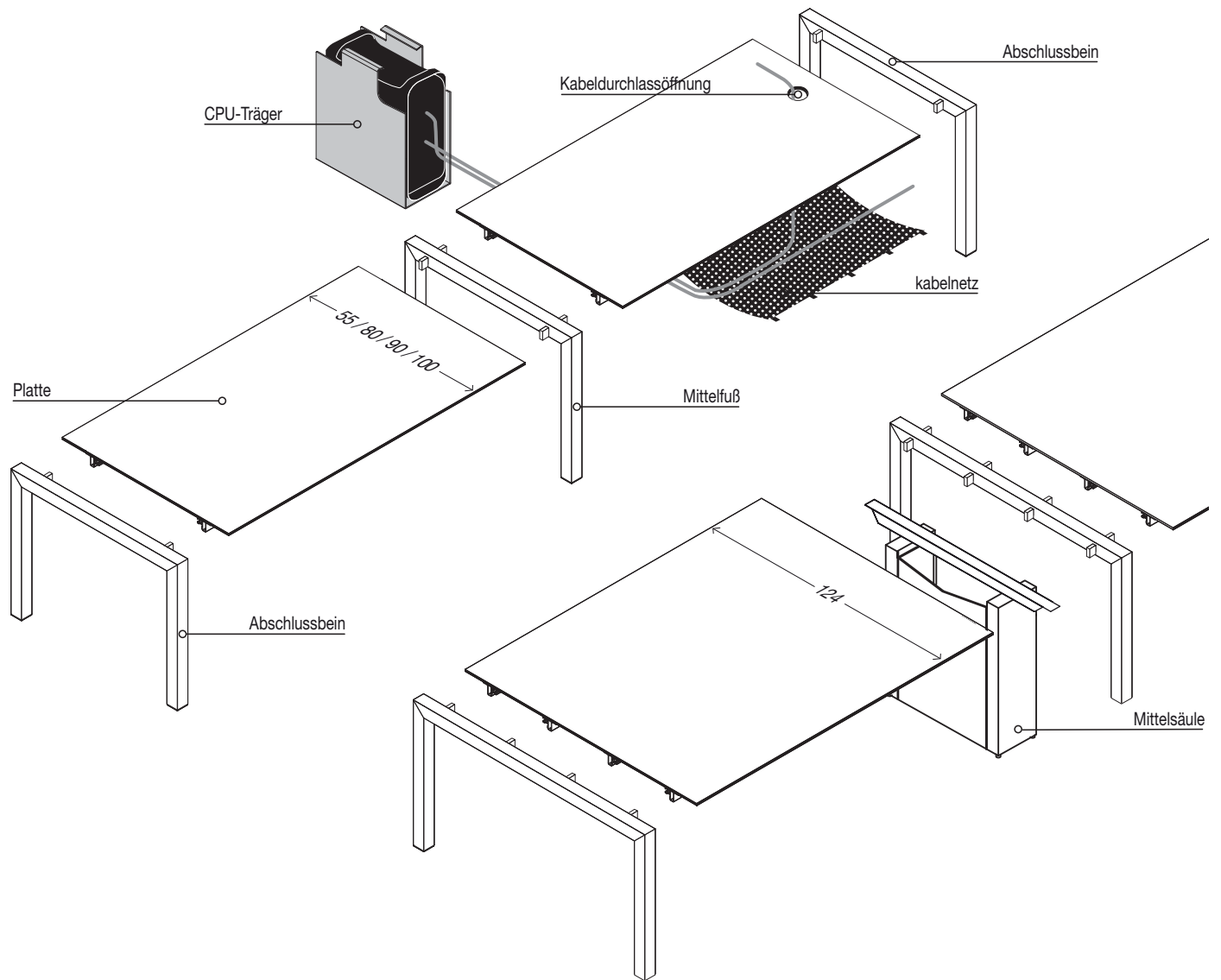
Art.-Nr.	Länge (L)	Breite	Beine	Platte	Preis in EURO	Koli	V.m ²	Kg
01SUS18F	140	140	Aluminium	Standard Hochgl. (!)	1	0,52	73	
				RAL/NCS Hochgl. (!)				
				Glas matt (!)				
			Lackiert	Standard Hochgl. (!)				
				RAL/NCS Hochgl. (!)				
				Glas matt (!)				

Optionals

Art.-Nr.		Preis in EURO	Koli	V.m ²	Kg
02GTA02		Zuschnitt der Beine nach Maß	-	-	-
02VER01		Kabelschlange, mattes Methacrylat	1	0,007	1,5



Sushi anbaufähig Zusammenbauschema



Sushi anbaufähig

Platte aus Alucompact®

Ausführung der Tischplatte:

- Laminat Alucompact® Weiß
- Laminat Alucompact® Sandgrau
- Laminat Alucompact® Anthrazitgrau
- Laminat Alucompact® Schwarz

→ Auf Anfrage (gem. Anzahl) können die Platten in verschiedenen Materialien hergestellt werden: Laminat Pure-white, Fenix-NTM®, Glas.

→ Achtung: Die mit **(!)** gekennzeichneten Maße oder Ausführungen haben eine längere Produktionszeit: zirka 6 Wochen ab Auftragsdatum.

→ Jene Tische, die im ausgezogenen Zustand eine Länge von 250 cm überschreiten, weisen eine leichte Biegung der Platte auf, die jedoch innerhalb der festgelegten qualitativen Standards liegt.

→ Verstärkte Verpackungsmaterialien siehe Seite 205.

Tisch/Besprechungstisch

Art.-Nr.	L. x B.	Tischplatten	Preis in EURO	Koll.	V. m ²	Kg
02SUS00	113 x 55	Laminat Alucompact (!)		1	0,2	18
02SUS01	135 x 55	Laminat Alucompact (!)		1	0,24	24
02SUS02	204 x 55	Laminat Alucompact (!)		1	0,33	35
02SUS03	113 x 80	Laminat Alucompact		1	0,27	27
02SUS04	138 x 80	Laminat Alucompact		1	0,32	32
02SUS15	165 x 80	Laminat Alucompact (!)		1	0,37	37
02SUS05	138 x 90	Laminat Alucompact		1	0,36	38
02SUS06	165 x 90	Laminat Alucompact		1	0,42	42
02SUS64	188 x 90	Laminat Alucompact (!)		1	0,46	47
02SUS16	208 x 90	Laminat Alucompact (!)		1	0,5	52
02SUS68	228 x 90	Laminat Alucompact (!)		1	0,55	56
02SUS70	248 x 90	Laminat Alucompact (!)		1	0,59	61
02SUS72	268 x 90	Laminat Alucompact (!)		1	0,63	69
02SUS74	288 x 90	Laminat Alucompact (!)		1	0,67	75
02SUS07	88 x 100	Laminat Alucompact		1	0,27	26
02SUS08	165 x 100	Laminat Alucompact		1	0,45	52
02SUS13	188 x 100	Laminat Alucompact (!)		1	0,5	51
02SUS09	208 x 100	Laminat Alucompact (!)		1	0,55	56
02SUS14	228 x 100	Laminat Alucompact (!)		1	0,6	61
02SUS80	248 x 100	Laminat Alucompact (!)		1	0,65	68
02SUS82	268 x 100	Laminat Alucompact (!)		1	0,69	75
02SUS36	288 x 100	Laminat Alucompact (!)		1	0,74	80
02SUS88	208 x 124	Laminat Alucompact (!)		1	0,66	75
02SUS90	228 x 124	Laminat Alucompact (!)		1	0,72	81
02SUS12	276 x 124	Laminat Alucompact (!)		1	0,85	97

Arbeitstisch

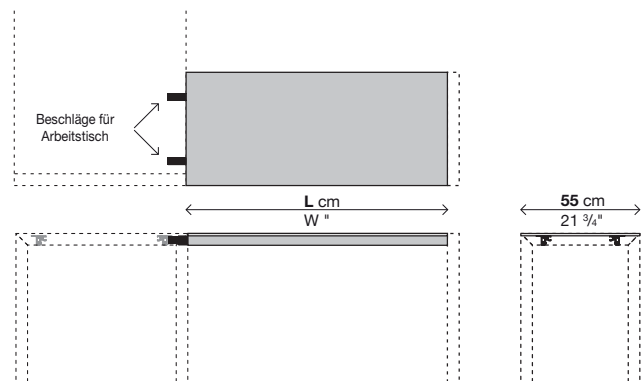
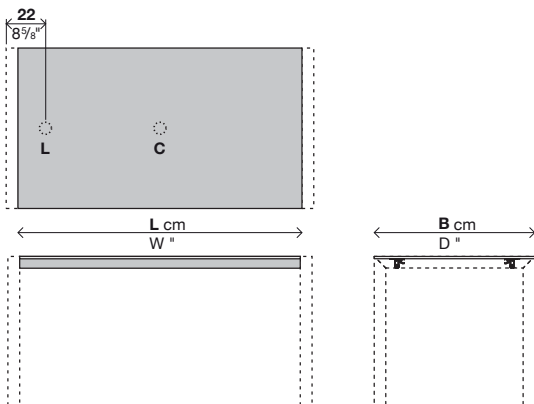
Art.-Nr.	L. x B.	Tischplatten	Preis in EURO	Koll.	V. m ²	Kg
02SUS00	113 x 55	Laminat Alucompact (!)		1	0,2	18
02SUS01	135 x 55	Laminat Alucompact (!)		1	0,24	24
02SUS02	204 x 55	Laminat Alucompact (!)		1	0,33	35

Beschläge für Arbeitstisch

Art.-Nr.	Beschreibung	Preis in EURO	Koll.	V. m ²	Kg
02FER01	Beschläge für Arbeitstisch	-	-	-	1,5

Optionals

Art.-Nr.	Beschreibung	Preis in EURO	Koll.	V. m ²	Kg
02FOR01	Ø6 seitlicher oder mittlerer Kabeldurchlass	-	-	-	-



Sushi anbaufähig

Abschlussbein/Mittelfuß/Mittelsäule

Ausführung der Beine:

Eloxiertes Aluminium

Weiß lackiertes Aluminium (farbähnlich wie Ral 9016)

“Alucompact® Sandgrau” lackiertes Aluminium (farbähnlich wie Ral 9002)

“Alucompact® Anthrazitgrau” lackiertes Aluminium (farbähnlich wie Ral 7015)

Schwarz lackiertes Aluminium (farbähnlich wie Ral 9004)

Ausführung Mittelsäule:

Aluminiumgrau lackierter Stahl (farbähnlich wie Ral 7042)

Weiß lackiertes Stahl (farbähnlich wie Ral 9016)

“Alucompact® Sandgrau” lackiertes Stahl (farbähnlich wie Ral 9002)

“Alucompact® Anthrazitgrau” lackiertes Stahl (farbähnlich wie Ral 7015)

Schwarz lackiertes Stahl (farbähnlich wie Ral 9004)

Abschlussbein

Art.-Nr.	Breite	Ausführung der Beine	Preis in EURO	Koll.	V. m ²	Kg
02CAV01	55	Eloxiertes Aluminium Aluminium lackiert		1	0,22	10
02CAV02	80	Eloxiertes Aluminium Aluminium lackiert		1	0,22	10,2
02CAV03	90	Eloxiertes Aluminium Aluminium lackiert		1	0,22	10,3
02CAV04	100	Eloxiertes Aluminium Aluminium lackiert		1	0,22	10,5
02CAV01A	124	Eloxiertes Aluminium Aluminium lackiert		1	0,26	11

Optionals

Art.-Nr.	Beschreibung	Preis in EURO	Koll.	V. m ²	Kg
02GTA01	Zuschnitt des Beins nach Maß	-	-	-	-
02CRU01	zwei Rollen mit Feststeller	-	-	-	1

Mittelfuß

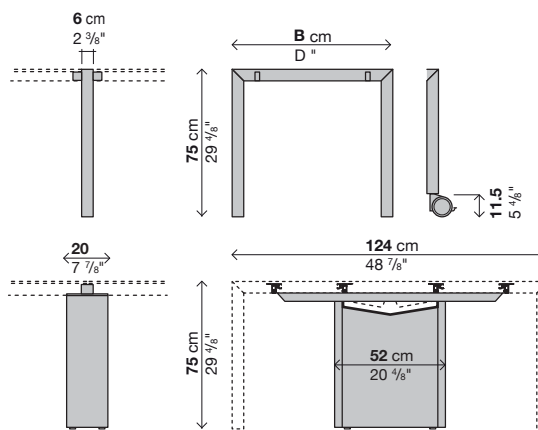
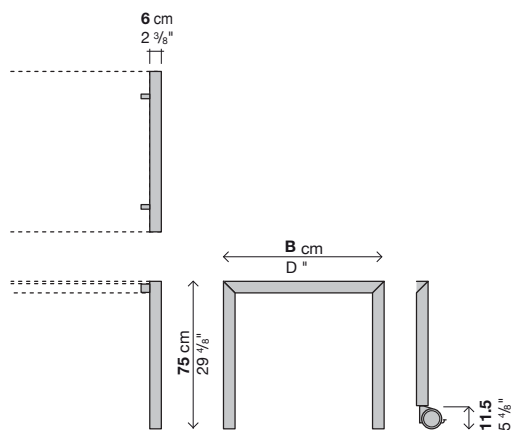
Art.-Nr.	Breite	Ausführung der Beine	Preis in EURO	Koll.	V. m ²	Kg
02CAV12	80	Eloxiertes Aluminium Aluminium lackiert		1	0,22	10,5
02CAV13	90	Eloxiertes Aluminium Aluminium lackiert		1	0,22	10,6
02CAV14	100	Eloxiertes Aluminium Aluminium lackiert		1	0,22	10,7
02CAV11A	124	Eloxiertes Aluminium Aluminium lackiert		1	0,26	12

Optionals

Art.-Nr.	Beschreibung	Preis in EURO	Koll.	V. m ²	Kg
02GTA01	Zuschnitt des Beins nach Maß	-	-	-	-
02CRU01	zwei Rollen mit Feststeller	-	-	-	1

Mittelsäule

Art.-Nr.	Breite	Ausführung	Preis in EURO	Koll.	V. m ²	Kg
02TOR01	124	Lackiert		1	0,14	19,5



Sushi anbaufähig CPU-Träger/Kabelnetz/Kabelschlange

Ausführung des CPU-Trägers:

Satiniertes Methacrylat

Ausführung des Kabelnetzes:

Kunststoffgitter

Ausführung der Kabelschlange:

Satiniertes Methacrylat

CPU-Träger

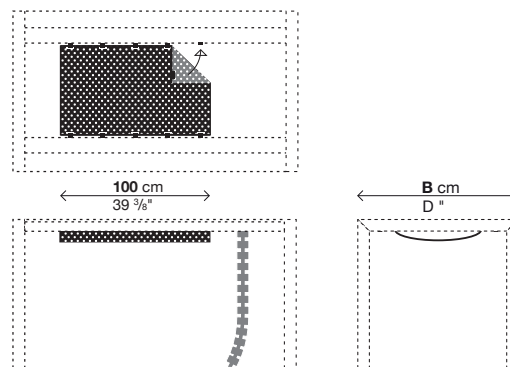
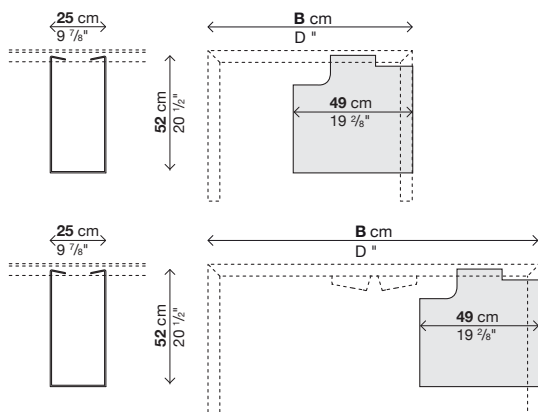
Art.-Nr.	B.	Ausführung	Preis in EURO	Koll.	V. m ³	Kg
02CPU01	80	satiniertes Methacrylat		1	0,14	5,5
02CPU02	90	satiniertes Methacrylat		1	0,14	5,5
02CPU03	100	satiniertes Methacrylat		1	0,14	5,5
02CPU04	124	satiniertes Methacrylat		1	0,14	5,5
02CPU05	160	satiniertes Methacrylat		1	0,14	5,5

Kabelnetz

Art.-Nr.	B.	Ausführung	Preis in EURO	Koll.	V. m ³	Kg
02RET01	80	Kunststoffgitter		1	0,07	1
02RET02	90	Kunststoffgitter		1	0,07	1
02RET03	100	Kunststoffgitter		1	0,07	1
02RET04	124	Kunststoffgitter		1	0,07	1

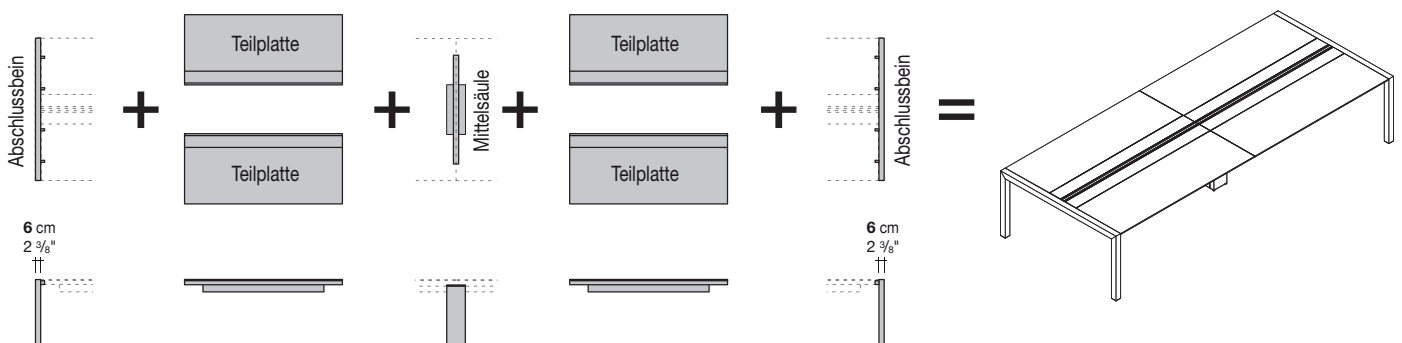
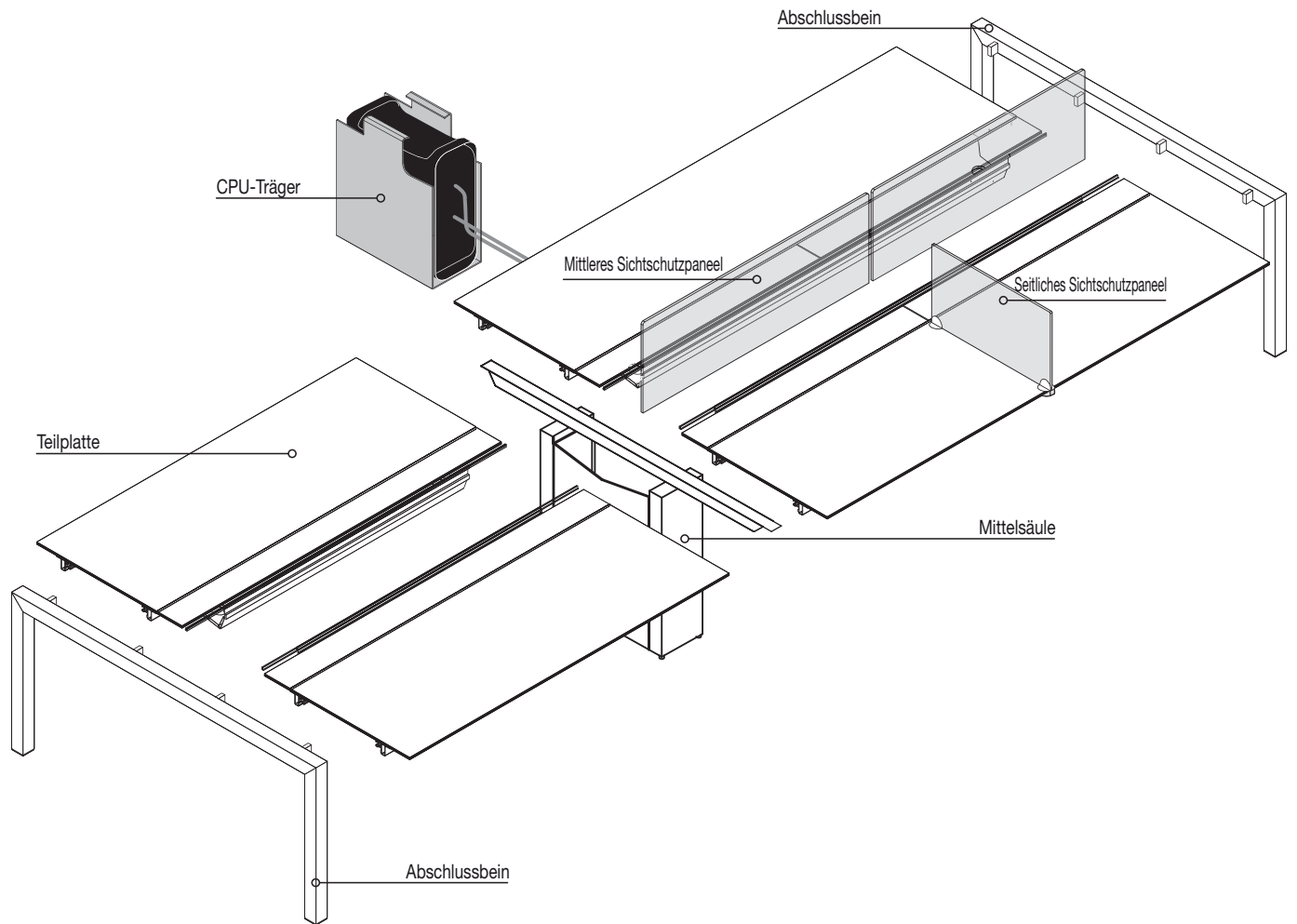
Kabelschlange

Art.-Nr.	Ausführung	Preis in EURO	Koll.	V. m ³	Kg
02VER01	Methacrylat		1	0,007	1,5



Sushi Workstation anbaufähig

Zusammenbauschema



Sushi Workstation anbaufähig

Teilplatte aus Alucompact®

Ausführung der Platte/Verschlussklappe:

Laminat Alucompact® Weiß
 Laminat Alucompact® Sandgrau
 Laminat Alucompact® Anthrazitgrau
 Laminat Alucompact® Schwarz

→ Auf Anfrage (gem. Anzahl) können die Platten in verschiedenen Materialien hergestellt werden: Laminat Pure-white, Fenix-NTM®, Glas.

→ Achtung: Die mit (!) gekennzeichneten Maße oder Ausführungen haben eine längere Produktionszeit: zirka 6 Wochen ab Auftragsdatum.

→ Jene Tische, die im ausgezogenen Zustand eine Länge von 250 cm überschreiten, weisen eine leichte Biegung der Platte auf, die jedoch innerhalb der festgelegten qualitativen Standards liegt.

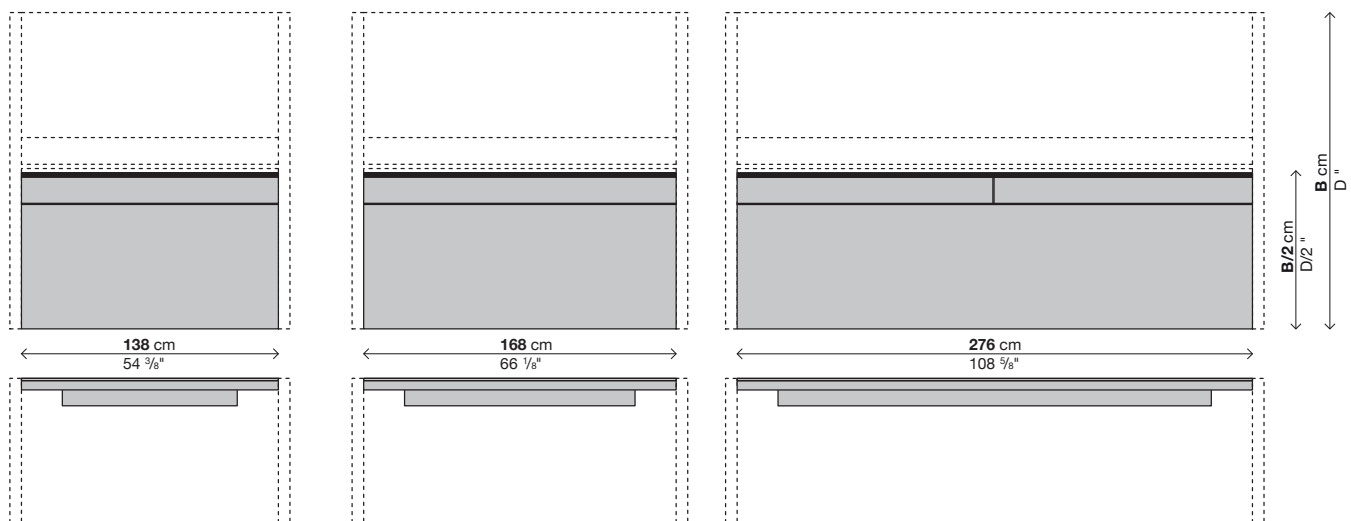
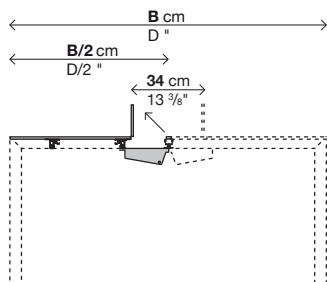
→ Verstärkte Verpackungsmaterialien siehe Seite 205.

Workstation B.124 cm

Art.-Nr.	L. x B./2	Tischplatten	Preis in EURO	Koli.	V. m ²	Kg
02WSU01A	138 x 62	Laminat Alucompact (!)		1	0,21	31
02WSU02A	168 x 62	Laminat Alucompact (!)		1	0,26	38
02WSU03A	276 x 62	Laminat Alucompact (!)		1	0,41	61

Workstation B.160 cm

Art.-Nr.	L. x B./2	Tischplatten	Preis in EURO	Koli.	V. m ²	Kg
02WSU04A	138 x 80	Laminat Alucompact (!)		1	0,27	36
02WSU05A	168 x 80	Laminat Alucompact (!)		1	0,32	44
02WSU06A	276 x 80	Laminat Alucompact (!)		1	0,52	69



Sushi Workstation anbaufähig

Abschlussbein/Mittelsäule

Ausführung der Beine:

Eloxiertes Aluminium

Weiß lackiertes Aluminium (farbähnlich wie Ral 9016)

“Alucompact® Sandgrau” lackiertes Aluminium (farbähnlich wie Ral 9002)

“Alucompact® Anthrazitgrau” lackiertes Aluminium (farbähnlich wie Ral 7015)

Schwarz lackiertes Aluminium (farbähnlich wie Ral 9004)

Ausführung Mittelsäule:

Aluminiumgrau lackierter Stahl (farbähnlich wie Ral 7042)

Weiß lackiertes Stahl (farbähnlich wie Ral 9016)

“Alucompact® Sandgrau” lackiertes Stahl (farbähnlich wie Ral 9002)

“Alucompact® Anthrazitgrau” lackiertes Stahl (farbähnlich wie Ral 7015)

Schwarz lackiertes Stahl (farbähnlich wie Ral 9004)

Abschlussbein

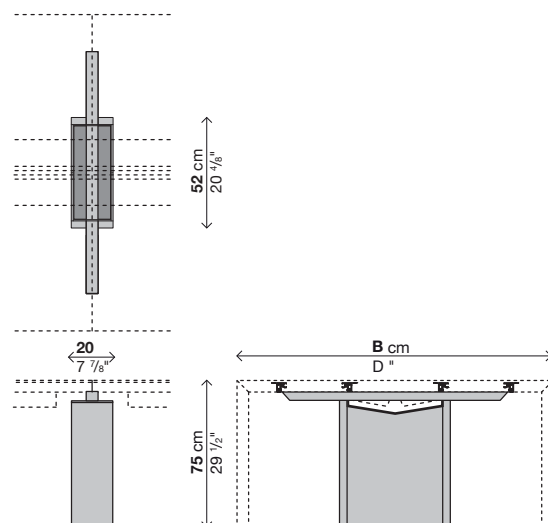
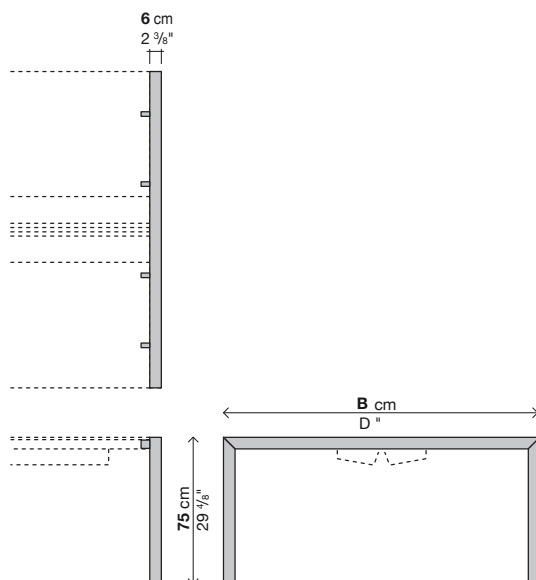
Art.-Nr.	Breite	Ausführung der Beine	Preis in EURO	Koli	V. m ³	Kg
02CAV01A	124	Eloxiertes Aluminium		1	0,26	11
		Aluminium lackiert				
02CAV04A	160	Eloxiertes Aluminium		1	0,32	13,5
		Aluminium lackiert				

Optionals

Art.-Nr.	Bild	Beschreibung	Preis in EURO	Koli	V. m ³	Kg
02GTA01		Zuschnitt des Beins nach Maß	-	-	-	-

Mittelsäule

Art.-Nr.	Breite	Ausführung	Preis in EURO	Koli	V. m ³	Kg
02TOR01	124	Lackiert		1	0,14	19,5
02TOR02	160	Lackiert		1	0,14	20,5



Sushi Workstation anbaufähig

Mittleres Sichtschutzpaneel/Seitliches Sichtschutzpaneel

Ausführung:

Satiniertes Methacrylat

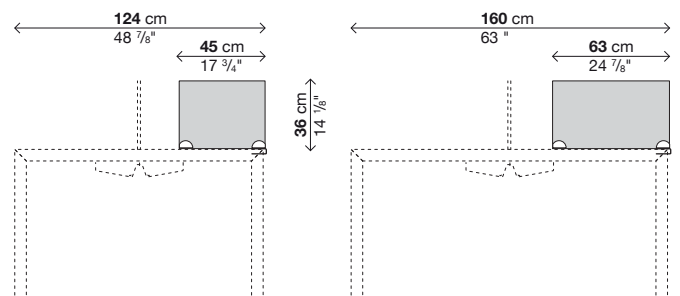
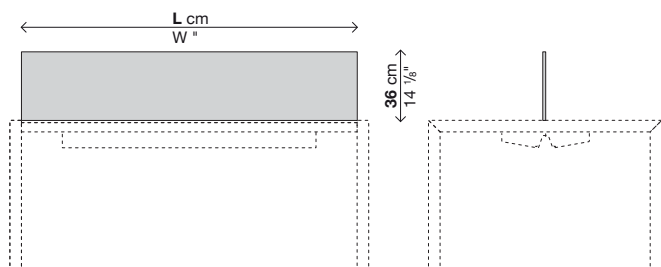
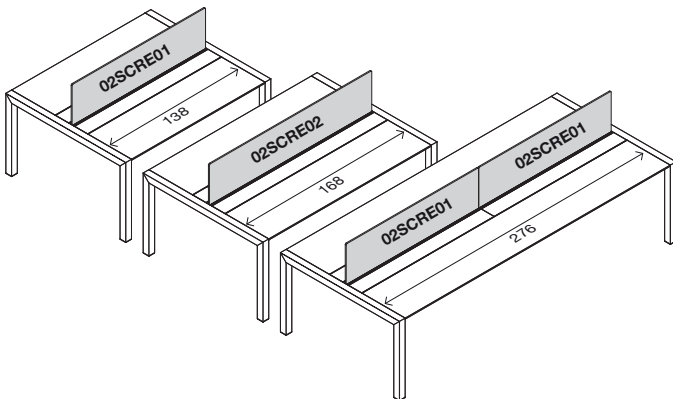
→ Auf Anfrage (gem. Anzahl) können Sichtschutzpaneele mit Stoffbezug Divina MD / Divina Melange 2 (Kvadrat®) hergestellt werden.

Mittleres Sichtschutzpaneel

Art.-Nr.	L. x B.	Ausführung	Preis in EURO	Koll. V. m ³	Kg
02SCRE01	138 x 36	satiniertes Methacrylat		1	0,04 5
02SCRE02	168 x 36	satiniertes Methacrylat		1	0,05 8

Seitliches Sichtschutzpaneel

Art.-Nr.	L. x B./2	Ausführung	Metallausführung	Preis in EURO	Koll. V. m ³	Kg
02SCRE03	45 x 36	satiniertes Methacrylat	Grau lackiert		1	0,012 2
			Weiß lackiert			
			Schwarz lackiert			
02SCRE04	63 x 36	satiniertes Methacrylat	Grau lackiert		1	0,017 3
			Weiß lackiert			
			Schwarz lackiert			



Sushi Workstation anbaufähig

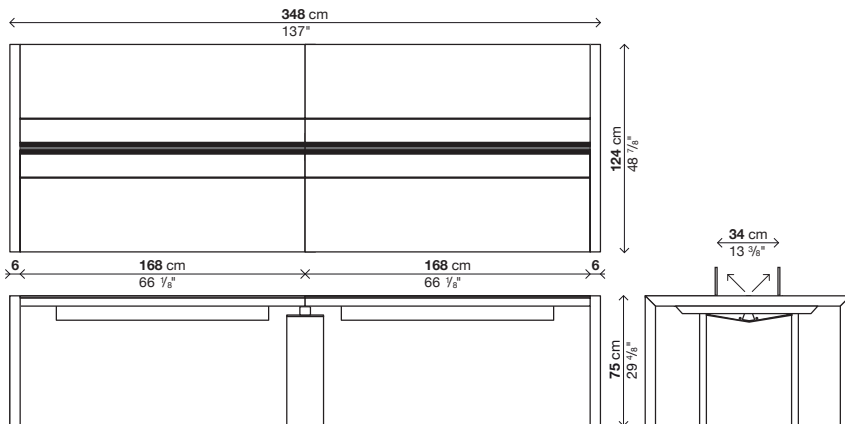
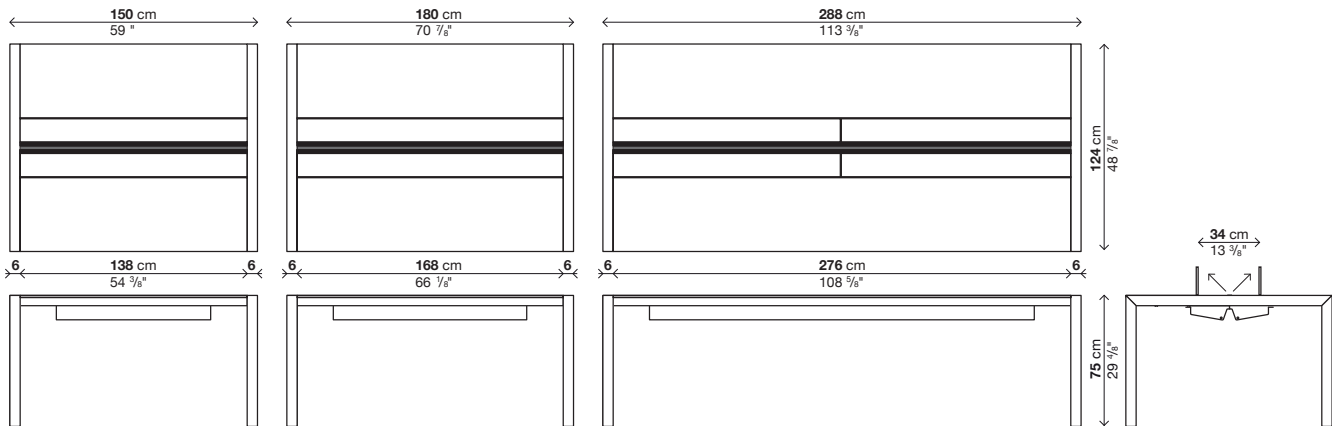
Zusammenstellungen Breite 124 cm.

→ Achtung: Die mit (!) gekennzeichneten Maße oder Ausführungen haben eine längere Produktionszeit: zirka 6 Wochen ab Auftragsdatum.

→ Jene Tische, die im ausgezogenen Zustand eine Länge von 250 cm überschreiten, weisen eine leichte Biegung der Platte auf, die jedoch innerhalb der festgelegten qualitativen Standards liegt.

→ Verstärkte Verpackungsmaterialien siehe Seite 205.

L. x B.	Art.-Nr.	Ausführung der Beine	Ausführung Mittelsäule	Tischplatten	Preis in EURO	Kauf V.m ³ Kg
150 x 124 (!)	02WSU01A (x2) + 02CAV01A (x2)	Eloxiertes Aluminium		Laminat Alucompact		4 0,94 86
180 x 124 (!)	02WSU02A (x2) + 02CAV01A (x2)	Eloxiertes Aluminium		Laminat Alucompact		4 1,04 100
288 x 124 (!)	02WSU03A (x2) + 02CAV01A (x2)	Eloxiertes Aluminium		Laminat Alucompact		4 1,35 146
348 x 124 (!)	02WSU02A (x4) + 02CAV01A (x2) + 02TOR01	Eloxiertes Aluminium	Lackiert	Laminat Alucompact		7 1,7 197



Sushi Workstation anbaufähig

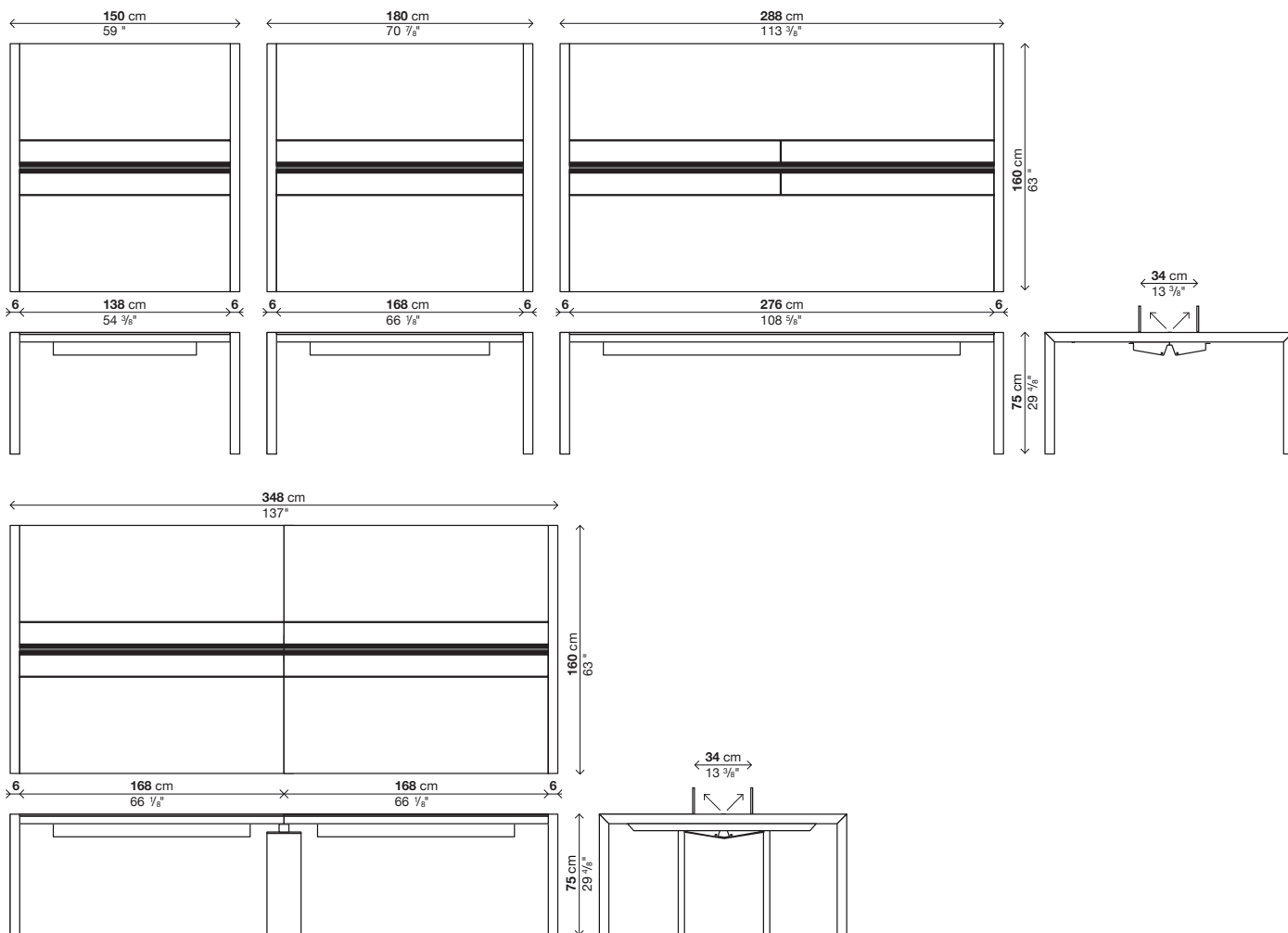
Zusammenstellungen Breite 160 cm.

→ Achtung: Die mit (!) gekennzeichneten Maße oder Ausführungen haben eine längere Produktionszeit: zirka 6 Wochen ab Auftragsdatum.

→ Jene Tische, die im ausgezogenen Zustand eine Länge von 250 cm überschreiten, weisen eine leichte Biegung der Platte auf, die jedoch innerhalb der festgelegten qualitativen Standards liegt.

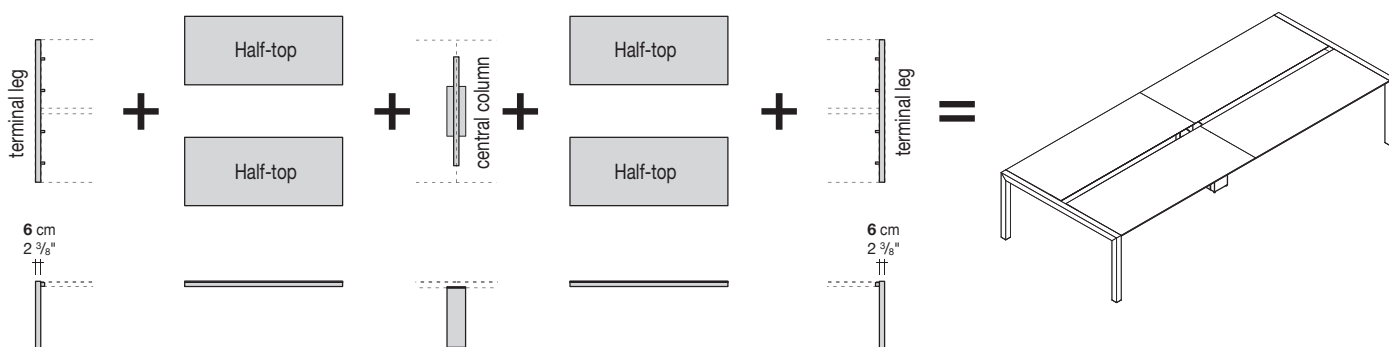
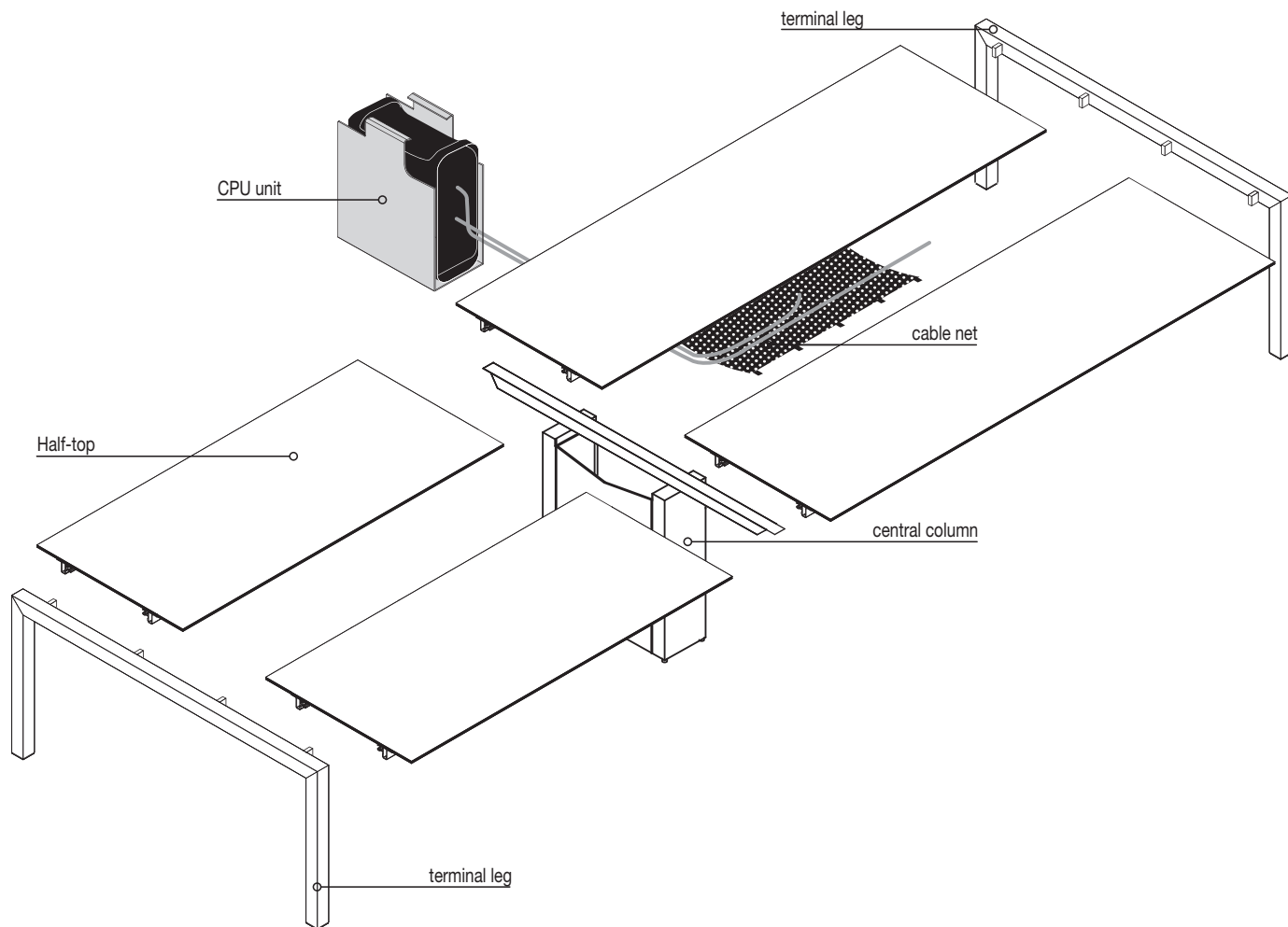
→ Verstärkte Verpackungsmaterialien siehe Seite 205.

L. x B.	Art.-Nr.	Ausführung der Beine	Ausführung Mittelsäule	Tischplatten	Preis in EURO	Koll. V.m ³ Kg
150 x 160 (!)	02WSU04A (x2) + 02CAV04A (x2)	Eloxiertes Aluminium		Laminat Alucompact		4 1,18 100
180 x 160 (!)	02WSU05A (x2) + 02CAV04A (x2)	Eloxiertes Aluminium		Laminat Alucompact		4 1,28 115
288 x 160 (!)	02WSU06A (x2) + 02CAV04A (x2)	Eloxiertes Aluminium		Laminat Alucompact		4 1,7 165
348 x 160 (!)	02WSU05A (x4) + 02CAV04A (x2) + 02TOR02	Eloxiertes Aluminium	Lackiert	Laminat Alucompact		7 2,06 224



Modular Sushi Workstation

Assembly diagram



Modular Sushi Workstation

Half-top

Finish for top:

White laminate with black edge

Fenix-NTM® black edge (Ingo black 0720)

Fenix-NTM® coloured edge (Kos white 0032)

→ Tops can be made of different materials on request (for quantity):
Pure-white laminate, Fenix-NTM®, glass.

→ Important: sizes and finishes marked with (!) require longer production lead time, about 6 weeks from the date of the order.

→ Tables that extend to more than 250 cm have a top that slightly bends, which complies with accepted quality standards.

Workstation D.124 cm

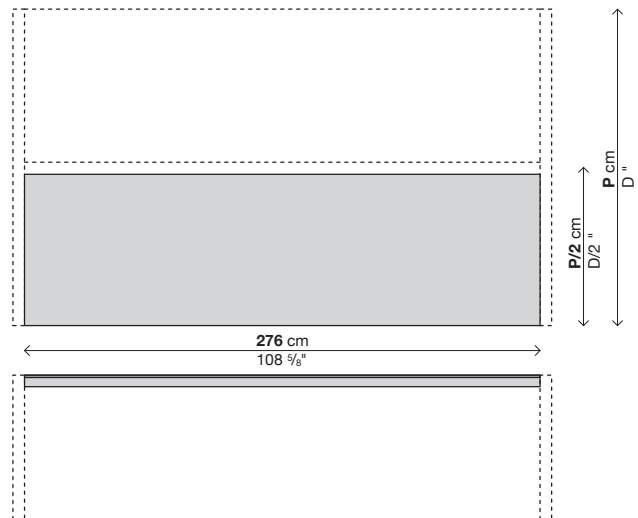
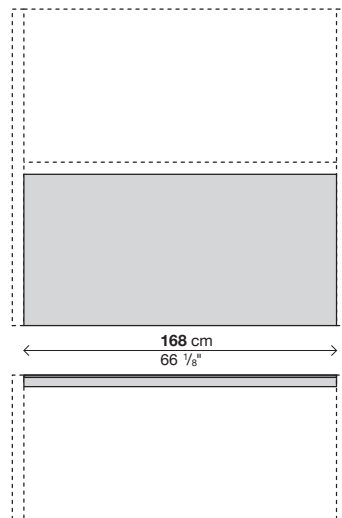
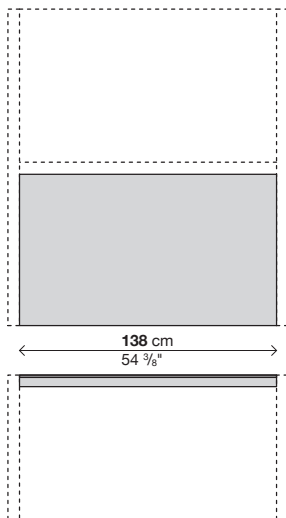
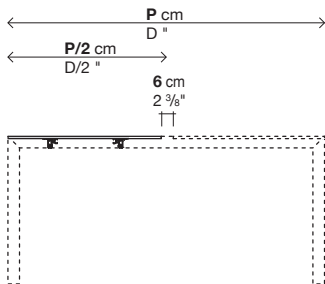
Code	W x D/2	Finish of top	Price in EURO	Packs	Vol.³	Kg
02WSU07A	138 x 59	White laminate with black edge (!)		1	0,21	26
		Fenix black edge (!)				
		Fenix coloured edge (!)				
02WSU08A	168 x 59	White laminate with black edge (!)		1	0,25	30
		Fenix black edge (!)				
		Fenix coloured edge (!)				
02WSU09A	276 x 59	White laminate with black edge (!)		1	0,40	47
		Fenix black edge (!)				
		Fenix coloured edge (!)				

Workstation D.160 cm

Code	W x D/2	Finish of top	Price in EURO	Packs	Vol.³	Kg
02WSU17A	138 x 77	White laminate with black edge (!)		1	0,25	25
		Fenix black edge (!)				
		Fenix coloured edge (!)				
02WSU18A	168 x 77	White laminate with black edge (!)		1	0,30	30
		Fenix black edge (!)				
		Fenix coloured edge (!)				
02WSU19A	276 x 77	White laminate with black edge (!)		1	0,48	48
		Fenix black edge (!)				
		Fenix coloured edge (!)				

Optionals

Code		Price in EURO	Packs	Vol.³	Kg
02RET01	plastic cable mesh		1	0,07	1
02VER01	vertebra, opal white methacrylate		1	0,007	1,5



Modular Sushi Workstation

Terminal leg/Central column

Leg finish:

Anodised aluminium

White lacquered aluminium (similar to RAL 9016)

Black lacquered aluminium (similar to RAL 9004)

Finish for column:

Aluminium grey lacquered steel (similar to RAL 7042)

White lacquered steel (similar to RAL 9016)

Black lacquered steel (similar to RAL 9004)

Terminal leg

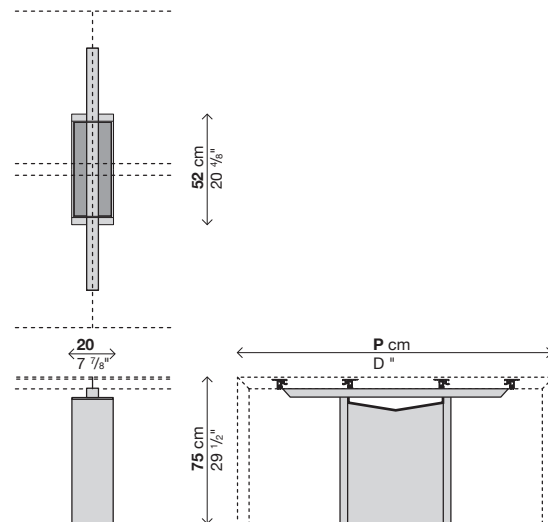
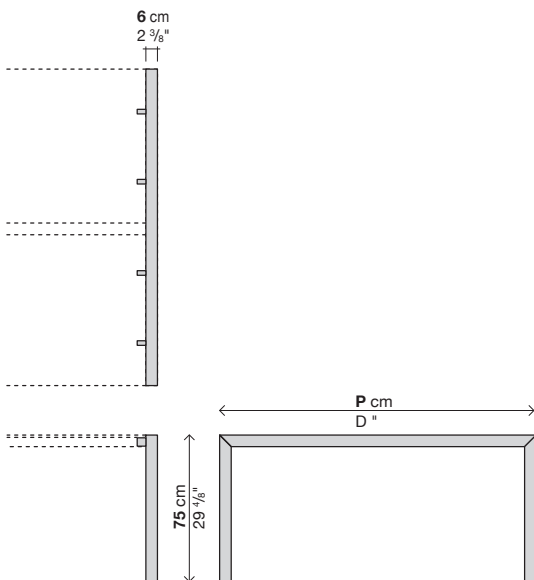
Code	Depth	Finish for legs	Price in EURO	Packs	Vol.³	Kg
02CAV01A	124	anodised aluminium		1	0,26	11
		aluminium with lacquer				
02CAV04A	160	anodised aluminium		1	0,32	13,5
		aluminium with lacquer				

Optionals

Code	Description	Price in EURO	Packs	Vol.³	Kg
02GTA01	 customised reduction to leg	-	-	-	-

Central column

Code	Depth	Finish	Price in EURO	Packs	Vol.³	Kg
02TOR01	124	lacquered steel		1	0,14	19,5
02TOR02	160	lacquered steel		1	0,14	20,5



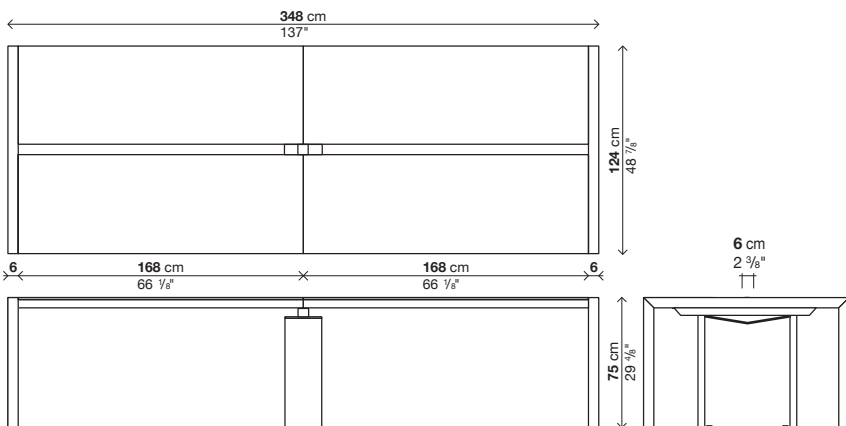
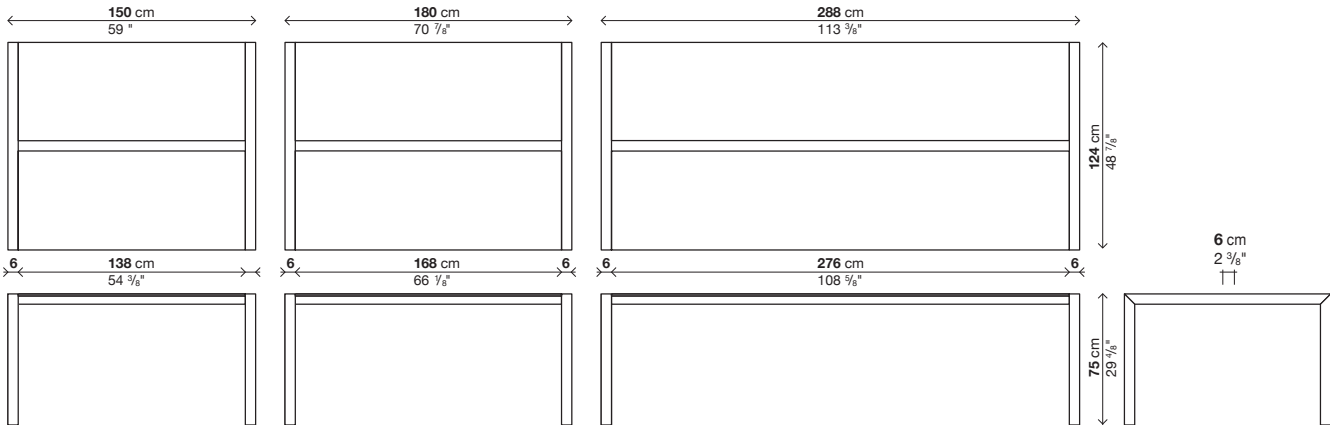
Modular Sushi Workstation

Compositions Depth 124 cm.

→ Important: sizes and finishes marked with (!) require longer production lead time, about 6 weeks from the date of the order.

→ Tables that extend to more than 250 cm have a top that slightly bends, which complies with accepted quality standards.

W x D	Codes	Finish for legs	Finish for column	Finish of top	Price in EURO	Packs	Vol. ³	Kg
150 x 124 (!)	02WSU07A (x2) + 02CAV01A (x2)	anodised aluminium		White laminate with black edge Fenix black edge Fenix coloured edge		4	0,94	74
180 x 124 (!)	02WSU08A (x2) + 02CAV01A (x2)	anodised aluminium		White laminate with black edge Fenix black edge Fenix coloured edge		4	1,02	82
288 x 124 (!)	02WSU09A (x2) + 02CAV01A (x2)	anodised aluminium		White laminate with black edge Fenix black edge Fenix coloured edge		4	1,32	116
348 x 124 (!)	02WSU08A (x4) + 02CAV01A (x2) + 02TOR01	anodised aluminium	lacquered steel	White laminate with black edge Fenix black edge Fenix coloured edge		7	1,66	161,5



Modular Sushi Workstation

Compositions Depth 160 cm.

→ Important: sizes and finishes marked with (!) require longer production lead time, about 6 weeks from the date of the order.

→ Tables that extend to more than 250 cm have a top that slightly bends, which complies with accepted quality standards.

W x D	Codes	Finish for legs	Finish for column	Finish of top	Price in EURO	Packs	Vol.³	Kg
150 x 160 (!)	02WSU17A (x2) + 02CAV04A (x2)	anodised aluminium		White laminate with black edge Fenix black edge Fenix coloured edge		4	1,14	85
180 x 160 (!)	02WSU18A (x2) + 02CAV04A (x2)	anodised aluminium		White laminate with black edge Fenix black edge Fenix coloured edge		4	1,24	97
288 x 160 (!)	02WSU19A (x2) + 02CAV04A (x2)	anodised aluminium		White laminate with black edge Fenix black edge Fenix coloured edge		4	1,6	137
348 x 160 (!)	02WSU18A (x4) + 02CAV04A (x2) + 02TOR02	anodised aluminium	lacquered steel	White laminate with black edge Fenix black edge Fenix coloured edge		7	1,98	187,5

