

**NAME:**

ECOdesk

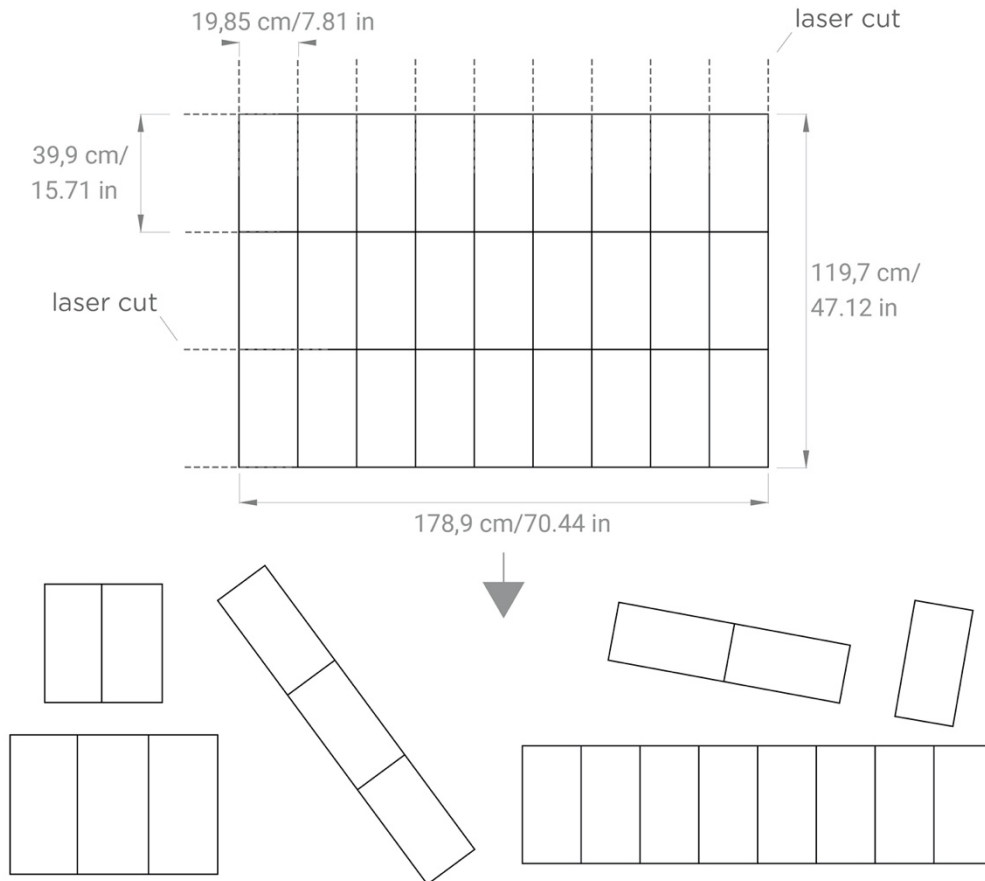
**DESCRIPTION:**

Thermobonded sound-absorbing monomateric panel

**APPLICATIONS:**

- Desk: H **39,9** | **59,9** | **79,8** cm (H **15.71** | **23.58** | **31.42** in) - With brackets
- Freestanding, totem with brackets
- Wall with velcro or magnets
- Ceiling with velcro or magnets
- Baffle with magnets or cables

ECodesk 40:



**DIMENSIONS:**

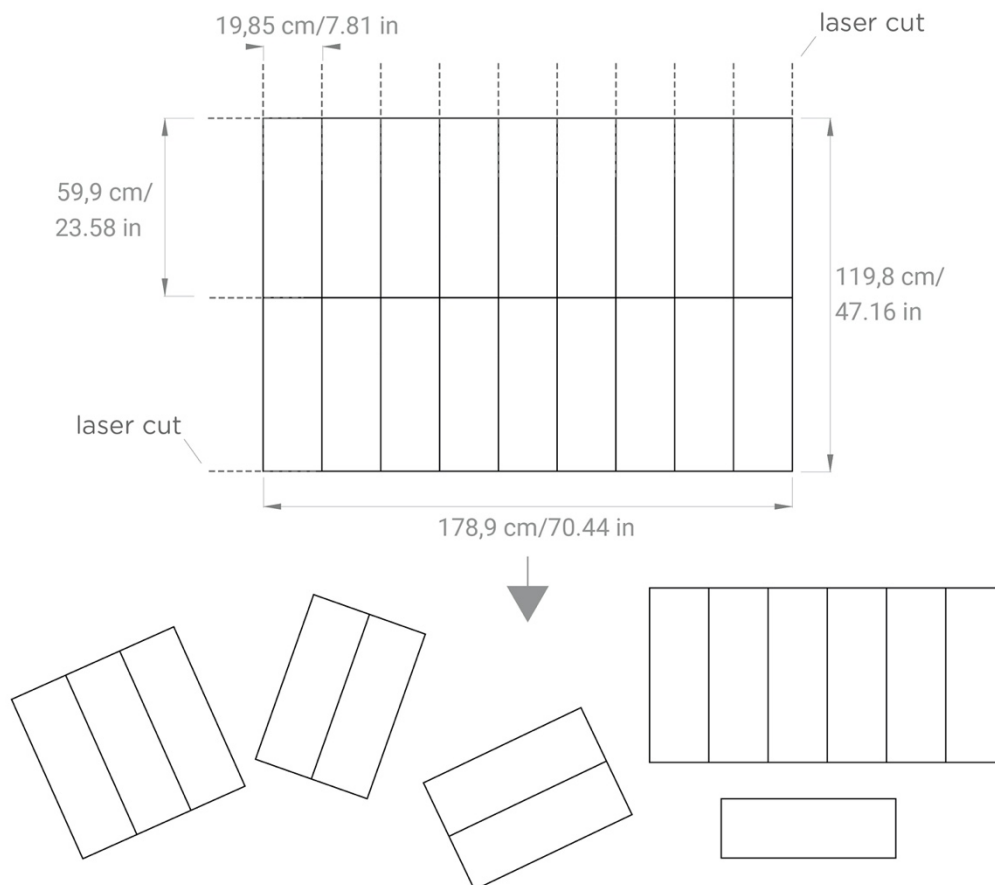
- L/H 19,85 | 39,75 | 59,6 | 79,45 | 99,3 | 119,25 | 139,1 | 158,95 | 178,9 x L/H 39,9 | 79,8 | 119,7 x THK 2 | 3,5 cm
- L/H 7.81 | 15.65 | 23.46 | 31.28 | 39.1 | 46.95 | 54.76 | 62.58 | 70.44 x L/H 15.71 | 31.42 | 47.12 x THK 0.79 | 1.38 in

NOTE: *Panels may have differences in thickness due to the type of material*

**WEIGHT:**

- 3 Kg/m<sup>2</sup>
- 0.62 lb/ft<sup>2</sup>

ECodesk 60:



**DIMENSIONS:**

- L/H 19,85 | 39,75 | 59,6 | 79,45 | 99,3 | 119,25 | 139,1 | 158,95 | 178,9 x L/H 59,9 | 119,8 x THK 2 | 3,5 cm
- L/H 7.81 | 15.65 | 23.46 | 31.28 | 39.1 | 46.95 | 54.76 | 62.58 | 70.44 x L/H 23.58 | 47.16 x THK 0.79 | 1.38 in

NOTE: *Panels may have differences in thickness due to the type of material*

**WEIGHT:**

- 3 Kg/m<sup>2</sup>
- 0.62 lb/ft<sup>2</sup>

**COMPOSITION:**

- Soul: sound absorbing material made of 100% recycled material, polyester fibers

Reaction to fire: B-s2, d0

Smoke class: F1

Certificate: Oekotex

- Finishes:

- **Trevira CS** - 100% polyester

Reaction to fire: **Class 1**

Certificate: **Oekotex**

- **ECOfelt** - 90% wool, 10% polyester

- **PETfelt** - 100% PET

**RECYCLABILITY:**

Recyclable material panel recyclable at the end of his life, without having to divide soul and finishing

**MAINTENANCE:**

Cleanable panel with specific detergents

**CERTIFICATIONS:**

• FIRE REACTION CLASS:

B-s2, d0



• CE MARK:

B-s1, d0



• GREEN LABELS:

GREENGUARD  
GREENGUARDGOLD



• SOUND ABSORPTION REPORT:

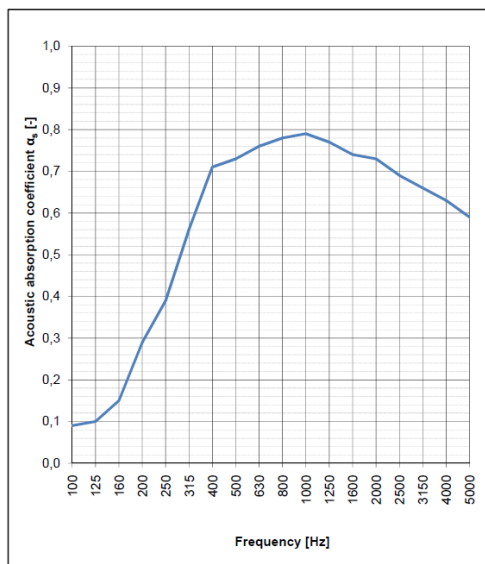
UNI EN ISO 354: 2003  
UNI EN ISO 11654: 1998



Sample description: Thermobounded sound absorbing panel, Model "ECodesk"  
Mounting Type: A

Sample area: 10.80 m<sup>2</sup>  
Reverberation room volume: 161.3 m<sup>3</sup>

f [Hz]	$\alpha_s$ [-]
Frequency	Acoustic absorption coefficient values
100	0.09
125	0.10
160	0.15
200	0.29
250	0.39
315	0.56
400	0.71
500	0.73
630	0.76
800	0.78
1000	0.79
1250	0.77
1600	0.74
2000	0.73
2500	0.69
3150	0.66
4000	0.63
5000	0.59



Evaluation based on laboratory measurement results by means of a technical method.



Apple green 463



Yellow 53



Light blue 386



Turquoise 366



Beige 532



White 999



Green tea 425



Carrot 66



Capri 379



Iceberg 377



Camel 533



Light grey 611T



Grass 464



Orange 120



Pastel blue 380



Queen blue 378



Tuscan brown 534



Pearl grey 643



Olive 426



Red 231



Steel blue 263



Sapphire 331



Tiger eye 119



Grey 629



Office green 443



Brick 572



Lavender 175



Office blue 332T



Brown sugar 569



Quartz grey 636



Forest green 496



Bordeaux 236



Red wine 234



Dark blue 334T



Taupe 607



Old silver 625



Peacock blue 411



Fuchsia 173



Purple 262



Midnight blue 333T



Dark mud 571



Black 651



Beige 952



Yellow 34



Quartz rose 940



Acid green 611E



Fresh air 976



Ghost white 955



Caramel 332E



Mustard 54



Salmon 317



Cashmere green 89



Salvia green 334E



Chalk 327



Mushroom 325



Cob orange 997



Blossom pink 335



Leaf green 910



Light blue 914



Grey 953



Chocolate 352



Orange 971



Pink 988



Avio 333E



Sky blue 942



Mineral blue 311



Taupe 511



Red 5



Violet 921



Lagoon 608



Blue yonder 200



Moonstone 512



Brown 605



Marsala 973



Purple 508



Peacock blue 962



Honolulu blue 607



Ink 329



Dark musk 22



Bordeaux 192



Grape 603



Blue 193



Deep sea blue 963



Dark grey 923

