



### Chance

Advanced operative chair of Quinti Sedute.

High quality materials that ensure comfort and are made to withstand the test of time. Senator is available with standard or high back.

All Quinti products are covered by a 5 year warranty and are 100% Made in Italy. Certification n. 290.058v

### Base

1. Black or white polypropylene base "TREND" [d. 680]
2. Aluminum base "TREND". [d. 680]

### Castors

Double tread diam. 65 mm. standard or rubber wheels. Both free and self braking wheels are available. Polyamide feet and wheels are interchangeable, as the same screw is used to secure both components. Available with POLO castors D. 65 (optional).

### Gas lift

All Quinti gas lift systems are DIN 4550 4th level certified.

Evoque is provided with Soft Lift system, a new gas lift system with retarder and self-cleaning.

### Mechanism

Chance is available with different mechanisms :

**M1** Black aluminium Synchron self that allows to adjust back and seat inclination with shock proof system lockable in 4 different positions.

### Armrests

With or without armrests.

1. Black or white polypropylene armrests anchored to the backrest.
2. Nylon armrests adjustable in height, anchored down the seat.

### Seat & backrest

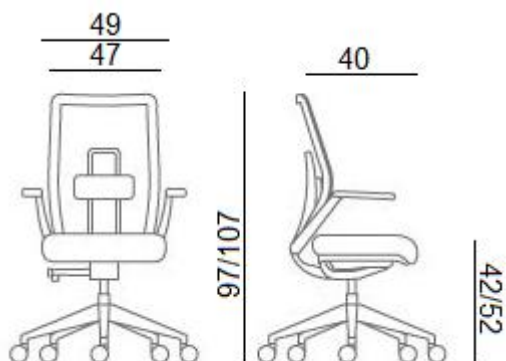
**Seat.** High resistance polypropylene seat with 2 steel bars. Easy assembling and release of the seat without screws. Provided with SEAT SLIDE.

**Backrest.** Available only with Gabriel net. Backrest equippe with adjustable lumbar support. Black or white version.. In accordance with DL 626/94 and EN1335A

### Padding

Thickness 50 density T40

### Dimensions & range



MATERIAL		CAT	Availability	
CREPE		1		
ECOPELLE / LEATHERETTE		2	•	
XTREME		2		
BIKO		2	•	
LASER		2	•	
SISTEMA PRO		3	•	
TRAMA		3	•	
MELANGE		3	•	
JET		3	•	
LANA / WOOL		5	•	
PELLE / LEATHER		5	•	
PELLE NERA / LEATHER BLACK		5S	•	
TEMPO Kvadrat		6	•	
PELLE / LEATHER ELEGANCE PREMIUM		7	•	
PELLE / LEATHER SOFT		7	•	
STILLKAT TRIO Kvadrat		7	•	
RETE /NET GOAL		8N	•	
RETE / GABRIEL		8N	•	
TESSUTO CLIENTE H.140 cm		1		

SHIPPING SPECS	TECHNICAL SPECS	FLAMMABILITY TEST	RESISTANCE TEST
<ul style="list-style-type: none"> <li>• Bundle 1</li> <li>• m<sup>3</sup> 0,18</li> <li>• Kg. 17</li> </ul>	Fabric consumption MTL 0,8 x h.140 Net consumption MTL 0,6 x h.140	For further specifications, please check fabrics in the colours system.  <b>For further information, please contact us.</b>	For further specifications, please check fabrics in the colours system.  <b>For further information, please contact us.</b>

### Castors & base

**BASE** – Polypropylene or aluminum TREND base d. 680.  
**CASTORS** – Black rubber castors D. 65.

In order to maintain Quinti products in perfect conditions through time and obtain a long lasting quality of the raw materials we hereby recommend to follow some very basic care instructions.

#### FABRICS

- Cleaning: see the dedicated selection written on the color Swatch card.
- Usage: we recommend a particular care as fabrics can be easily cut or ripped.

#### LEATHER

- Cleaning: Clean with a soft cloth with water. We remind that leather is extremely delicate. We recommend to use high quality products and to follow the instructions of the manufacturer. In case of doubts, we recommend to test the product on a hidden part and to wait at least 24 hours should any problem arise.
- Usage: It is very important to look carefully at the wash suggested and to pay particular attention while using.

#### PLASTIC MATERIALS

- Cleaning: plastic surfaces usually need to be cleaned with a cloth and water. We recommend not to use dry cloths that might generate an electrostatic charge that will capture dust. For the most persistent stains a small amount of liquid soap diluted in water may be used.

#### WOOD

- Cleaning: plywood surfaces need to be cleaned with a cloth and water. We recommend to dry immediately after the cleaning process. All liquids or other residue must be removed in order to avoid the absorption of the same.
- Usage: being plywood a natural material you might notice an alteration of the color shade during time and use. We also remind that plywood cannot bear with warm surfaces or high temperatures if placed directly on the wooden top.

#### METALS

- Cleaning: plastic surfaces usually need to be cleaned with a cloth and water. For the most persistent stains a small amount of liquid soap diluted in water may be used. We always recommend to try immediately after the cleaning process by using a soft cloth or a leather one. Never use cleaning products for steel, chlorine, bleach or other strong detergents. Avoid abrasive creams, score pads and abrasive sponges that can scratch the metal surfaces.
- Usage: mind the stains of food such as coffee, juices, coke, if not removed immediately they might leave indelible marks on the surface.

#### WARRANTY

all the products are covered by a 5 years warranty. For the first 24 months: free repair of any flaw due to the production processes; from 24 to 60 months: working hours and carriage costs will be charged to the client. The warranty for the mechanisms is 12 months.

The warranty is not valid if:

- Damages and deterioration are due to the normal wear and tear.
- Damages and deterioration are due to an incorrect use.
- Deterioration caused by an inappropriate care of the materials.
- In case of use for more than 8 hours the warranty is valid only for 24 months.

## Quinti Sedute Srl

Zona ind.le Parco il Granaio  
52046 Cesa della Chiana, Arezzo [Italy]  
T. +39 0575 66970  
F.+39 0575 66936  
I. info@quinti.com  
www.quinti.com

Quinti si riserva di apportare modifiche e/o migliorie di carattere tecnico ed estetico ai propri modelli e prodotti in qualsiasi momento e senza preavviso.  
Per maggiori informazioni visitate il sito [www.quinti.com](http://www.quinti.com)  
Quinti reserves the right to make modifications and improvements of technical or aesthetic nature to the products at any time without notice.  
For further information, please visit [www.quinti.com](http://www.quinti.com)