

Spareparts Catalogue



Celebrating movement

HÅG

Capisco Puls 8001	_____	6
Capisco Puls 8002	_____	7
Capisco Puls 8008	_____	8
Capisco Puls 8010	_____	9
Capisco Puls 8020	_____	10
Capisco Puls Options	_____	11
StepUp	_____	12
Capisco 8105. After 24.11.2003	_____	13
Capisco 8106. After 01.02.2005	_____	14
Capisco 8107. After 01.02.2005	_____	15
Capisco 8125	_____	16
Capisco 8126. After 01.02.2005	_____	17
Capisco 8127. After 01.02.2005	_____	18
Capisco Equipment	_____	19
Spare Parts Guide 96	_____	20

Standard delivery times

Standard dispatch times from factory

HÅG Fast (after order has been registered)
Standard Fabric & Colour Collection
Curated Fabric & Colour Collection
Extended Fabric & Colour Collection
Special and COM
Transport-days must be added.

Working days

5-10
10-15
15-20
20-25*
on request

* Provided the supplier has the fabric in stock.
Longer delivery times may occur periodically, during holidays and for large orders.
Larger orders with polished aluminium specified may cause longer lead time.

Order Entry Specifications

When placing your order please remember to specify the following information:

- Chair model
- Number of chairs
- Fabric/Leather and Colour Code
- Plastic colour on HÅG Conventio Wing
- Plastic colour on HÅG Capisco Puls
- Colour of base
- Type of castors or glides
- Delivery date
- Delivery address

Colour on base

Where a base is specified in black, other metal components will also be in black. Similarly, chairs on silver bases have metal components in silver. Other metal colours need to be specified for chairs with polished aluminium bases (extra cost option). Specified combinations are defined for:

HÅG SoFi
HÅG Executive

Castors

Both hard and soft castors and glides are supplied according to EN1335 Class A standard, and must be specified at time of order (soft for hard flooring, hard for soft flooring). Additional castor options are available on request, but must be specified at time of order and the delivery lead time may be increased. Price on application.

Prices

All prices are recommended retail prices in Euro excl. VAT.
Any typographical errors shall not be binding for Flokk and will be subject to correction without liability to the vendor.

Conditions of Delivery

Ex Works (Incoterms 2010), including packaging.

If the goods arrive damaged, the recipient/customer must inform the supplier within 48 hours of receipt.

HÅG Warranty

General terms and conditions

Flokk's warranty covers all HÅG chairs against material and manufacturing faults and defects from the chair's production date. The warranty covers any necessary spare parts. Labour and transport costs are not covered. Wear and tear must be expected from normal use and are not covered by the warranty. Unless otherwise specified, the maximum weight for users is 110 kg. The warranty is conditional on the chair and fabrics/leather undergoing normal cleaning. The guarantee does not cover the consequence of wear and stains when choosing a light (white) colour for plastic or metal components.

10 year warranty for HÅG products

Flokk provides a 10 year warranty for all HÅG chairs that are in normal use for up to 9 hours per day. Please also see the general warranty terms and conditions.

24/7 – 5 year warranty

Flokk provides a 5 year warranty for HÅG chairs that are specifically purchased for 24 hour use and which are upholstered in 24/7 approved fabrics/leather from Flokk's Standard Fabric collection. Please also see the general warranty terms and conditions.

>9 hours/day – 5 year warranty

Flokk provides a 5 year warranty for all HÅG chairs that are in normal use for more than 9 hours per day. Please also see the general warranty terms and conditions.

Spare parts guarantee

Flokk guarantees the delivery of spare parts for a minimum of 10 years after the chair's production date. The guarantee covers the parts necessary to maintain the chair's original functionality.

Fabric and Colour collection

Standard Fabric & Colour collection

Flokk provides a 10 year warranty for fabrics/leather from the Standard collection when the chair is in normal use for up to 9 hours per day. Flokk provides a 5 year warranty for fabrics/ leather from the Standard collection when the chair is in normal use for more than 9 hours per day.

Curated Fabric & Colour collection

Flokk provides a 10 year warranty for fabrics from the Curated collection when the chair is in normal use for up to 9 hours per day. Flokk provides a 5 year warranty for fabrics from the Curated collection when the chair is in normal use for more than 9 hours per day.

Extended Fabric & Colour collection

Flokk provides a 5 year warranty for fabrics/leather from the Extended collection when the chair is in normal use for up to 9 hours per day. Some of the fabrics in the Extended collection are available with a 5 year warranty for 24 hour use (for use of more than 9 hours per day).

Special or Customer specified fabrics/leather

If the fabrics in the Standard, Curated or Extended collections are not what you are looking for, please contact Customer Service at Flokk, email: info-uk@flokk.com. The general warranty terms and conditions cover the chair against material and manufacturing faults, but not the upholstery. This does not affect your rights and obligations under local law. Customer specified fabrics/leather can only be used following approval by Flokk.

Fabrics and leathers that are not tested on our products, need to have a test-upholstery before we can approve it and the order can be registered. Cost (EUR 210) for testing will be charged.

Approvals and Certifications

Flokk is ISO 9001 accredited. The German test institutes, LGA and Intertek, have approved and issued the GS certificate (Geprüfte Sicherheit) for a number of HÅG products.

- HÅG task chairs are tested in accordance with both EN 1335 Type A (European office chair standard) and ANSI Bifma (American standard).
- HÅG conference and visitor chairs are tested in accordance with EN 13761, EN 16139 and the ANSI Bifma standard.
- HÅG SoFi, HÅG Futu and HÅG Executive are tested according to British Standard BS 5459-2, a commonly used standard for intensive use (24 hours).

EN 1335 is a European Standard for office chairs and considers dimensions of the chair, safety requirements and safety test methods. The European Standard tests are based on 8 hours daily use by persons weighing up to 110 kg (17.3 stone).

The British Standard (BS 5459-2) tests that the chair will be suitable for more than 8 hours daily use and for persons weighing up to 150 kg (23.6 stone).

The majority of HÅG products are tested and approved according to the Swedish Möbelfakta requirements.

ESD (Electro Static Discharge)

We can supply HÅG Creed 6002, HÅG Creed 6400, HÅG Capisco Puls 8001, 8010 and HÅG Capisco 8106 as ESD chairs upholstered in anti-static synthetic leather (Nevotex) or Global ESD (Bogesunds) in price group 6 +10%. For HÅG Capisco Puls the price will be price group 5 + 25%. Flokk provides a 5 year warranty on ESD chairs, conditional on castors and upholstery being cleaned regularly with a suitable cleaning agent. The ESD models are only available in silver painted aluminium.

Cleanroom

We can supply HÅG models with vinyl that are suitable for areas that need to be cleaned. Please contact Customer Service for further information.

HÅG Capisco Puls 8010 upholstered in anti-static synthetic leather by Nevotex (price group 3) approves an air cleanliness test according to ISO 14644, class 4-5. Flokk provides a 5 year warranty on cleanroom chairs, conditional on castors and upholstery being cleaned regularly with a suitable cleaning agent.

Maintenance guide

Care of fabric upholstery:

Regular vacuum cleaning is recommended. Vacuum clean the chair with a furniture brush or wipe it with a clean white cloth or sponge slightly dampened with lukewarm, clean water. Marks and stains should be removed with a proprietary cleaner.

Care of leather upholstery:

Wipe with a slightly damp cloth and gently rub dry. A good proprietary hide food should be applied at least once a year and more often if the leather is in a dry atmosphere or close to a heat-source.

Do not remove any plastic parts or attempt to open the seating mechanism.

For additional maintenance advice please contact our customer service team or our web site flokk.com.

Care of gas stem:

Gas stems should be periodically wiped clean with a cloth and general purpose solvent, then a fingertip of light grease applied.

Packaging material - recycling

We encourage you to ensure recycling of all packaging material. Please sort and return the packaging material, using your local recycling partners/stations - and follow your local regulations.

If you have questions on how to handle waste packaging material, please inform your contact person within Flokk.

End of life - Recycling

We encourage you to ensure recycling of your chair and its various components, according to the 'end of life matrix' described in your chair's user manual. Please dispose of your chair/components using your local recycling partners/stations - and follow your local regulations.

If you have questions on how to dispose or return your chair after use, please inform your contact person within Flokk.

Fire resistant foam

All foam is HR source 0 and 1 approved. CMHR foam is available on request at a +4% surcharge, but must be specified at time of order and adds approximately two to five weeks to delivery lead times. CMHR foam with source 5 fabric must be specified on chairs intended for domestic use.

Change/cancellation of orders

Change/cancellation of orders on chairs or upholsteries is possible up until production has begun. Each amended or cancelled order will incur a charge of EUR 50 per order. Once production has started orders cannot be changed. Change of orders within the HÅG Fast collection are not possible.

For further information regarding change /cancellation of orders, please feel free to contact our Customer Service department.

Customer Service

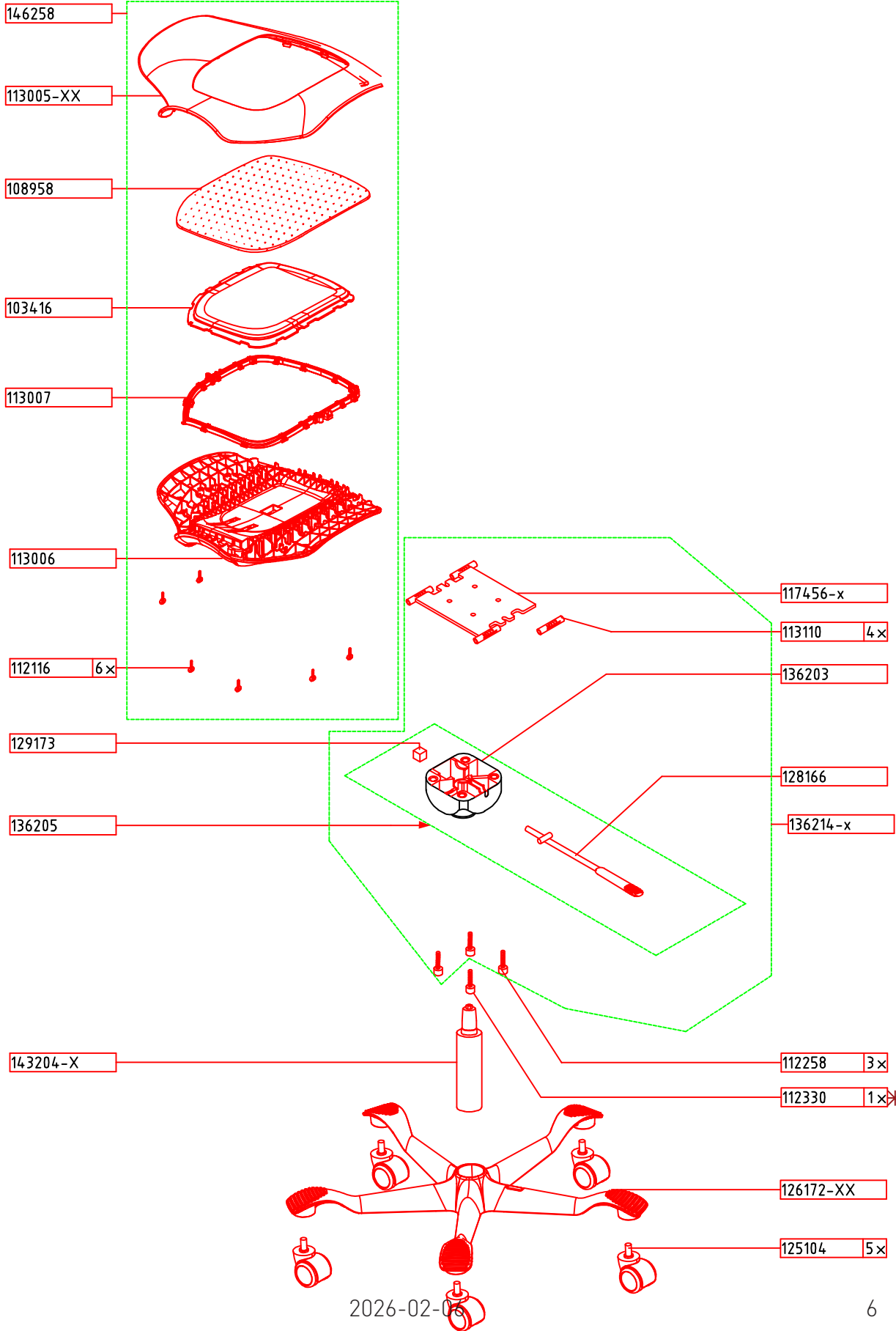
Flokk

Phone: +47 - 72 40 72 40

E-mail: info-no@flokk.com

Flokk reserves the right to make small construction alterations without notice.

Not valid for spareparts to ESD-chairs.
If you need spareparts for ESD-chairs,
please contact customer service.



2026-02-06

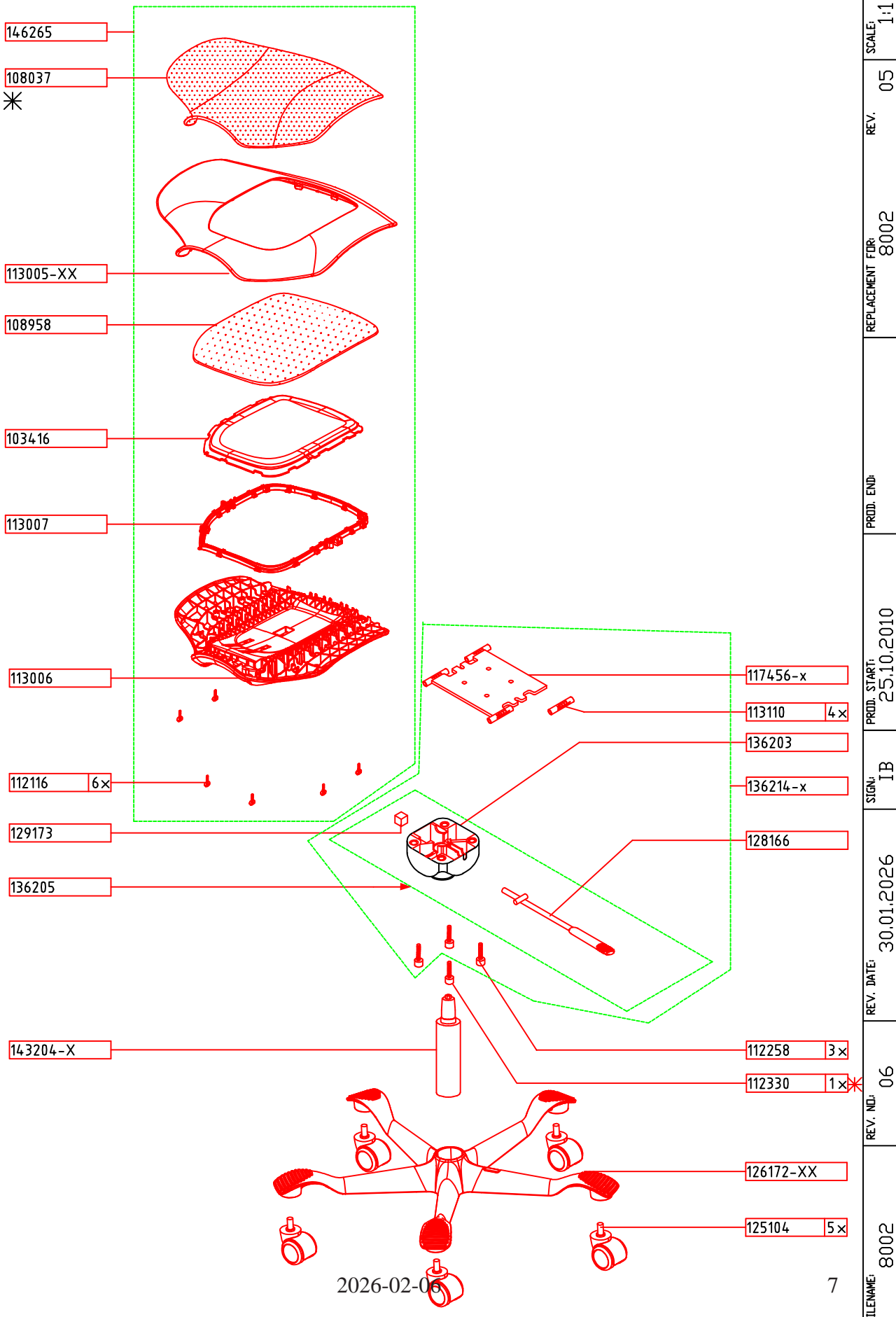
6

REPLACEMENT FOR: 8001
 PROD. START: 25.10.2010
 PROD. END:
 SIGN: IB
 REV. DATE: 30.01.2026
 REV. NO.: 07
 SCALE: 1:10
 REV. 06

*- LOOK INTO THE SPARE PARTS GUIDE

PAGE NR.:

FILENAME: 8001



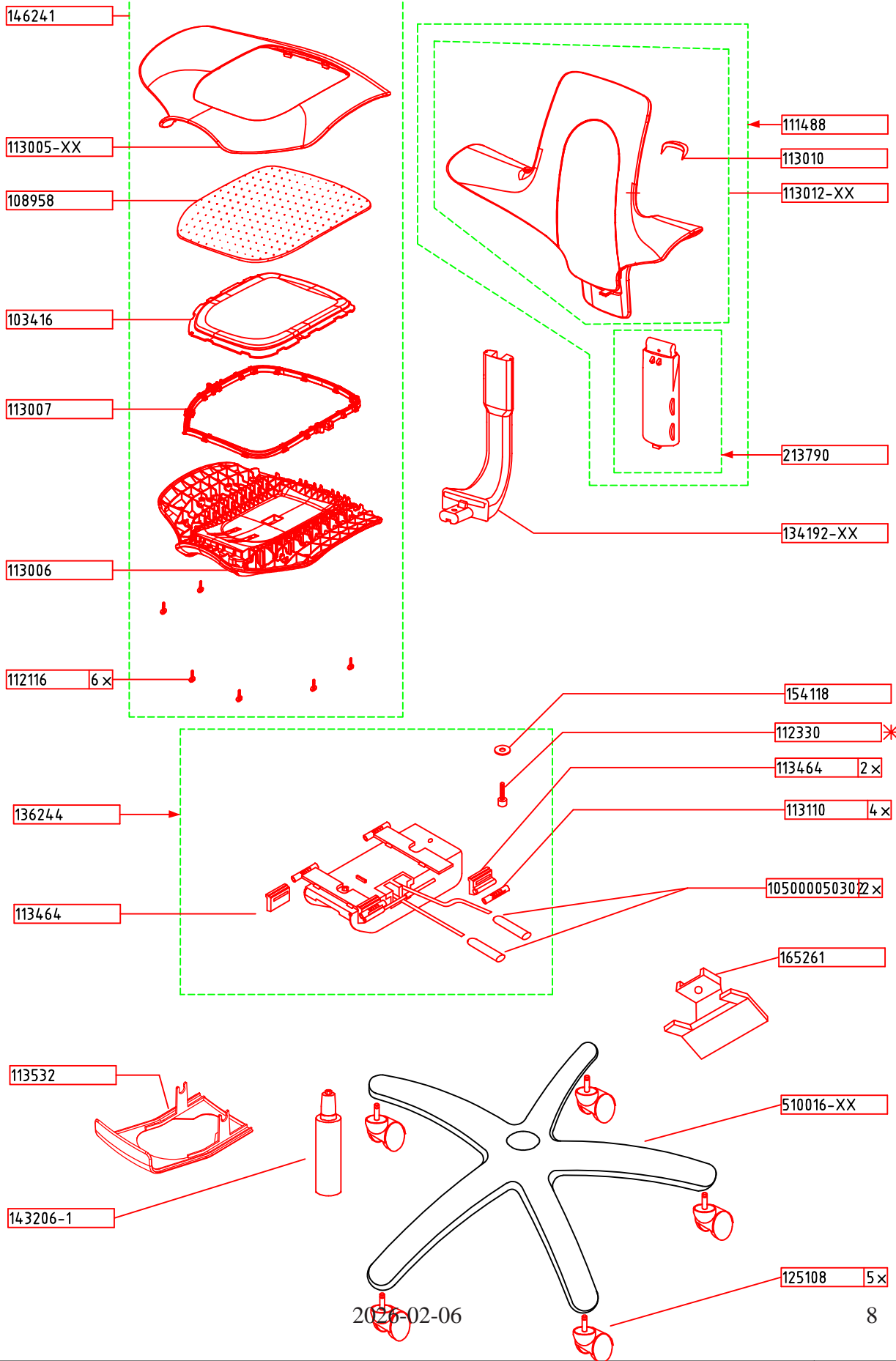
SCALE:	1:10
REV.:	05
REPLACEMENT FOR:	8002
PROD. END:	
PROD. START:	25.10.2010
SIGN.:	IB
REV. DATE:	30.01.2026
REV. NO.:	06
FILENAME:	8002

2026-02-06

7

*- LOOK INTO THE SPARE PARTS GUIDE

PAGE NR.:



SCALE: 1:10
 REV. 01
 REPLACEMENT FOR: 8008
 PROD. END: 27/6-22
 PROD. START: 01.02.2022
 SIGN: IB
 REV. DATE: 30.01.2026
 REV. NO.: 02
 FILENAME: 8008

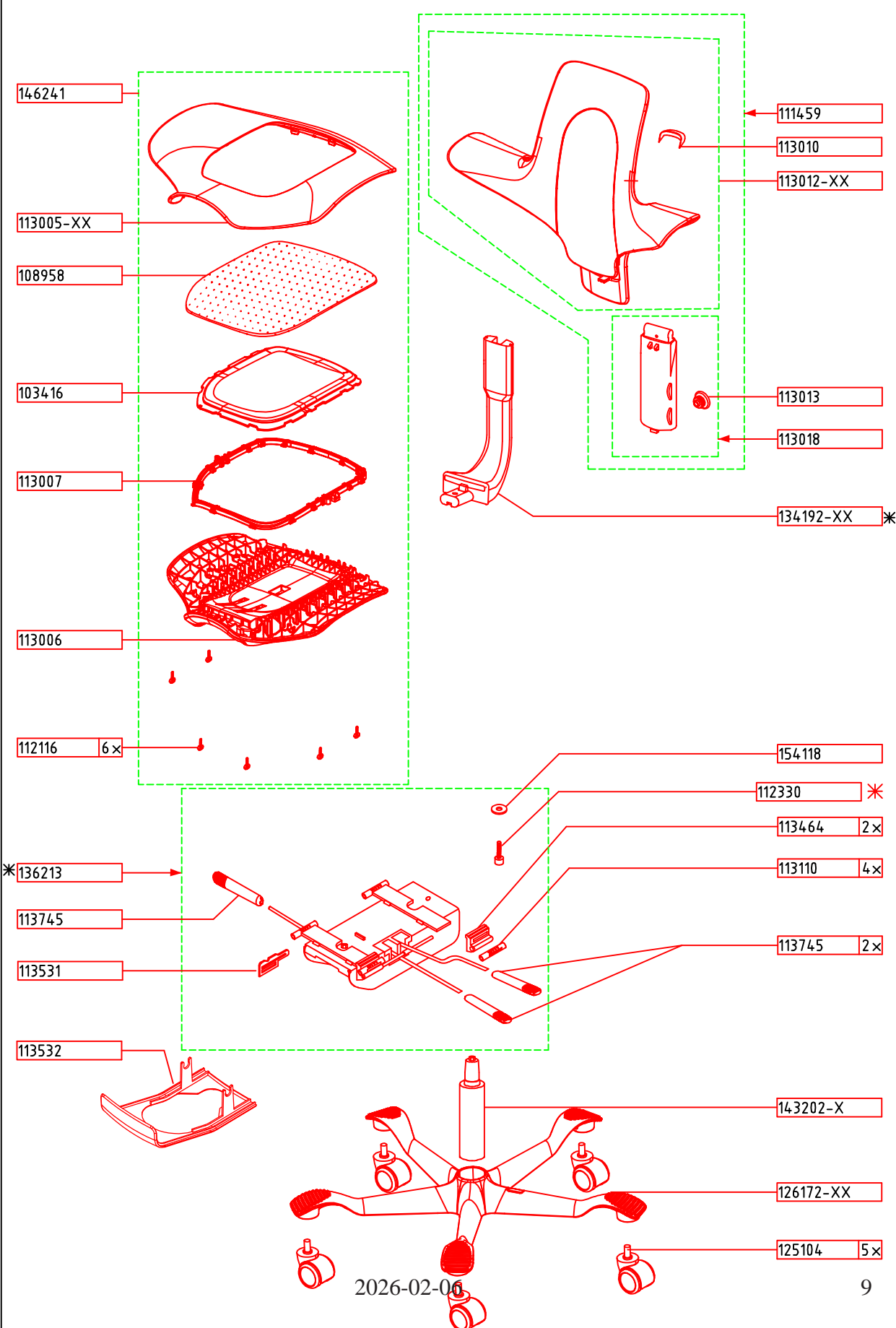
2026-02-06

8

*- LOOK INTO THE SPARE PARTS GUIDE

PAGE NR.:

Not valid for spareparts to ESD-chairs.
If you need spareparts for ESD-chairs,
please contact customer service.



SCALE: 1:10

REV. 08

REPLACEMENT FOR: 8010

PRD. END:

PRD. START: 25.10.2010

SIGN. IB

REV. DATE: 30.01.2026

REV. NO.: 09

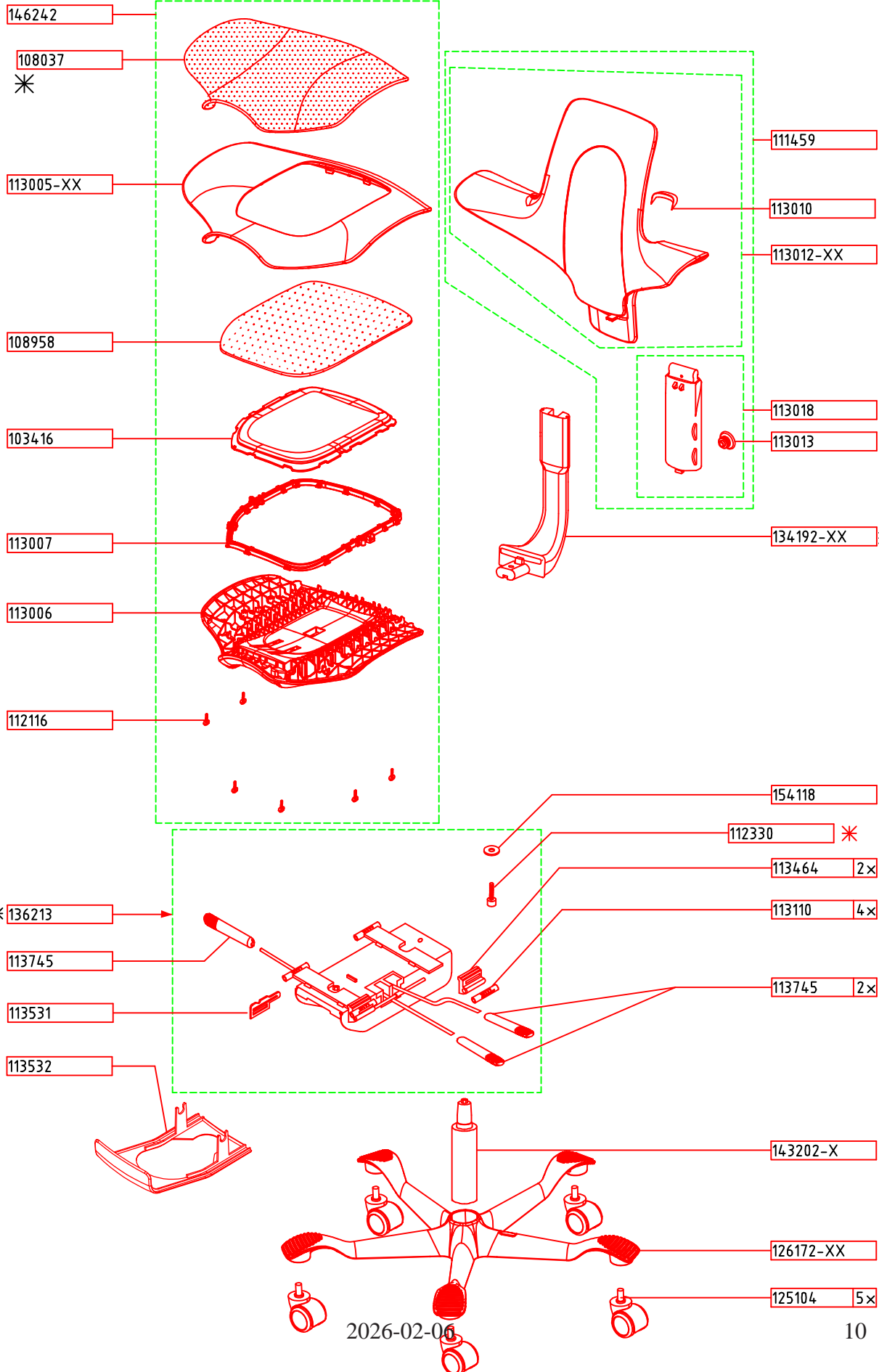
FILENAME: 8010

2026-02-06

9

*- LOOK INTO THE SPARE PARTS GUIDE

PAGE NR.:



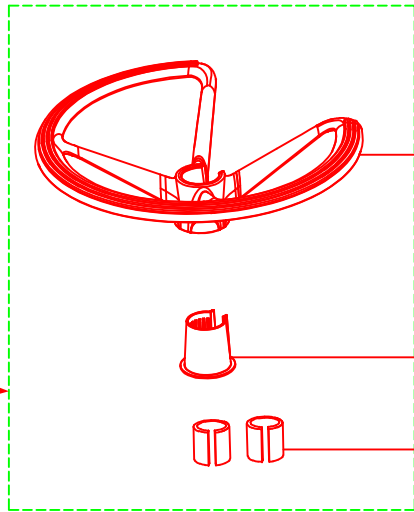
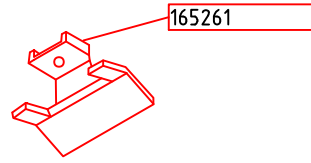
SCALE: 1:10
 REV. 08
 REPLACEMENT FOR: 8020
 PROD. END:
 PROD. START: 25.10.2010
 SIGN: IB
 REV. DATE: 30.01.2026
 REV. NO.: 09
 FILENAME: 8020

2026-02-06

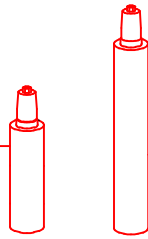
10

*- LOOK INTO THE SPARE PARTS GUIDE

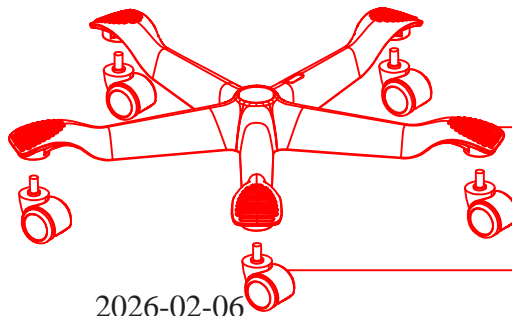
PAGE NR.:



14-3201-X
150mm

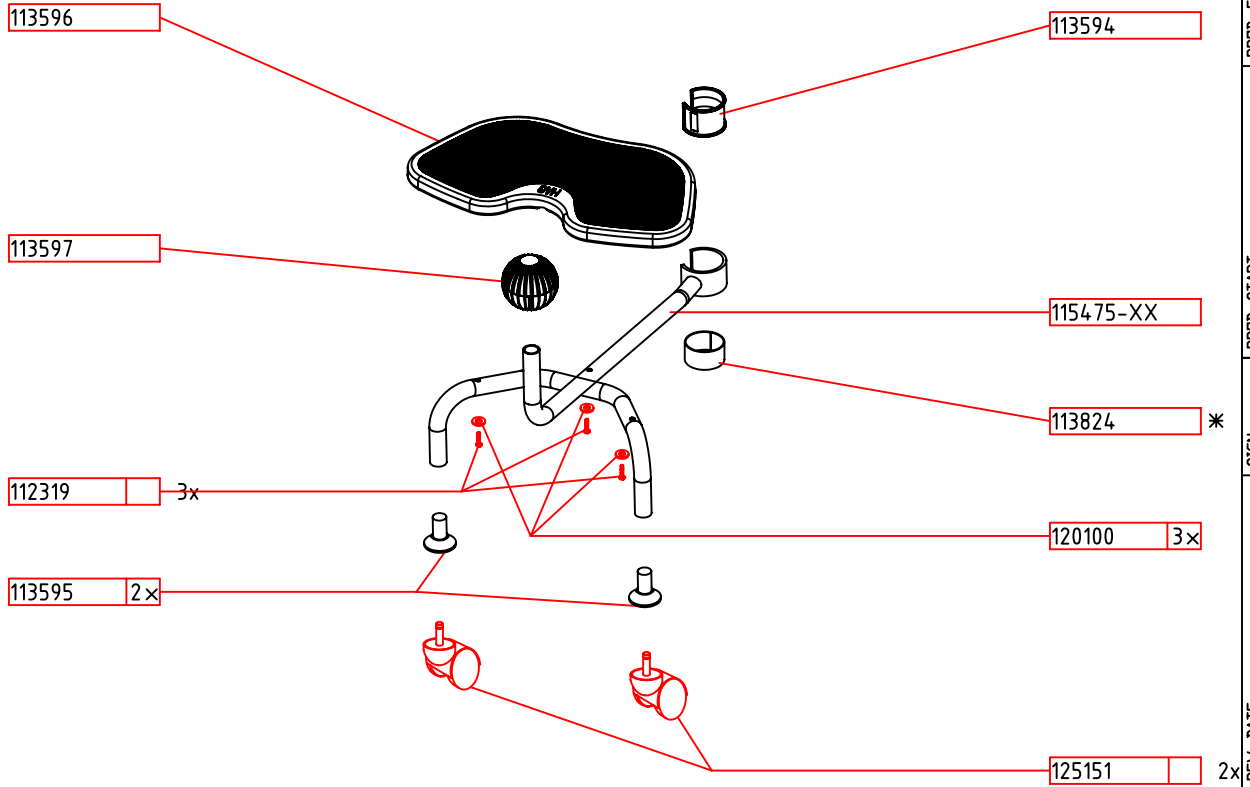


14-3204-X
265mm



2026-02-06

11



SCALE:	1:10
REV.	06
REPLACEMENT FOR:	165177
PRODD. END:	
PRODD. START:	01.01.2001
SIGN:	BE
REV. DATE:	29.06.2007
REV. NO.:	07
FILENAME:	StepUp

2026-02-06

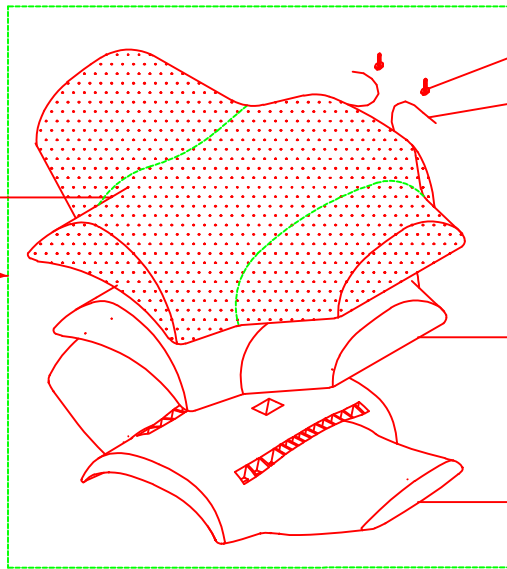
12

* LOOK INTO THE SPARE PARTS GUIDE

PAGE NR.: 90.80.00

108769
UPHOLSTERY

146215
COMPLETE



112116 2x

161109

103113

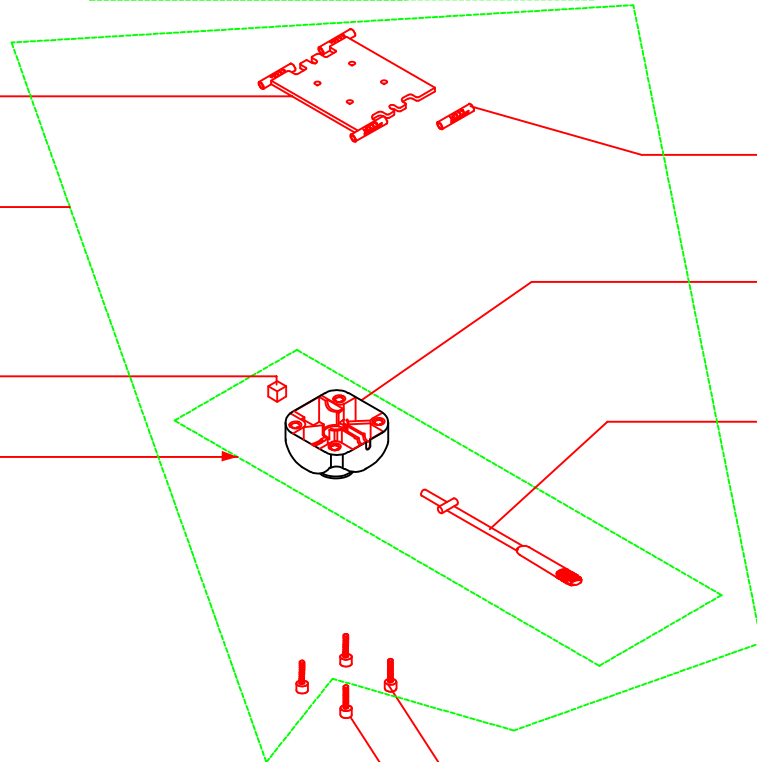
113755

117456-x

136214-x

129173

136205



113110 4x

136203

128166

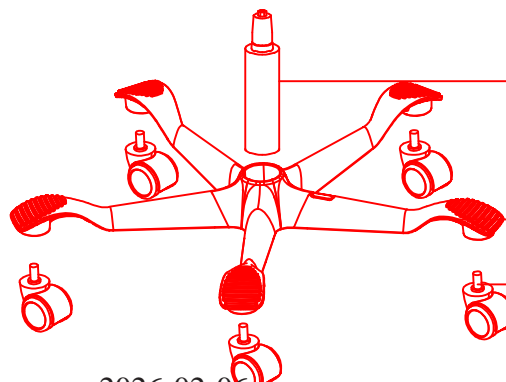
112258 3x

112330 1x *

143204-X

126172-XX

125104 5x

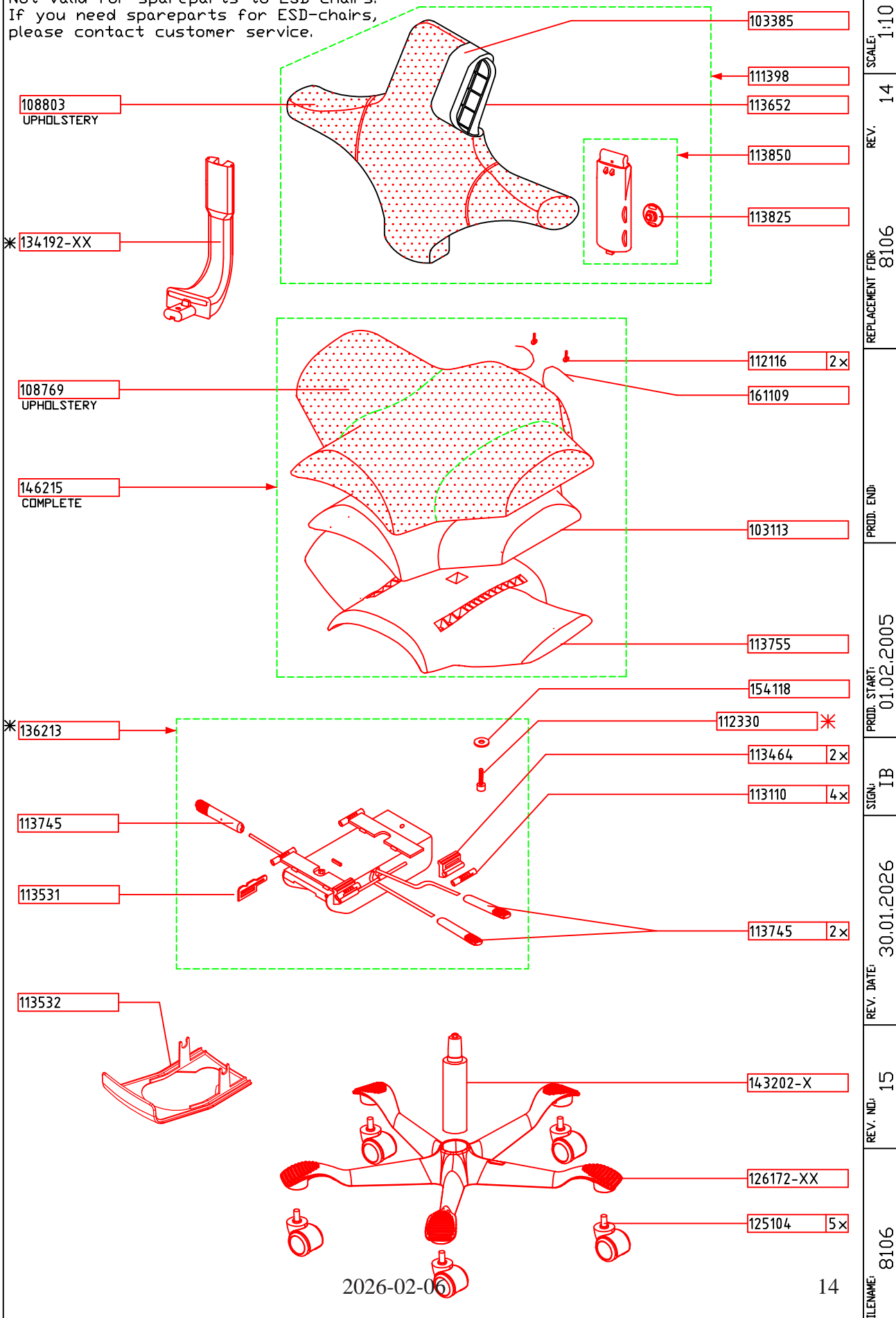


2026-02-06

13

SCALE: 1:10
 REV. 24.11.03 18
 REPLACEMENT FOR: 8105-(after 24.11.03)
 PROD. END: 24.11.2003
 PROD. START: 24.11.2003
 SIGN: IB
 REV. DATE: 30.01.2026
 REV. NO.: 19
 FILENAME: 8105

Not valid for spareparts to ESD-chairs.
If you need spareparts for ESD-chairs,
please contact customer service.



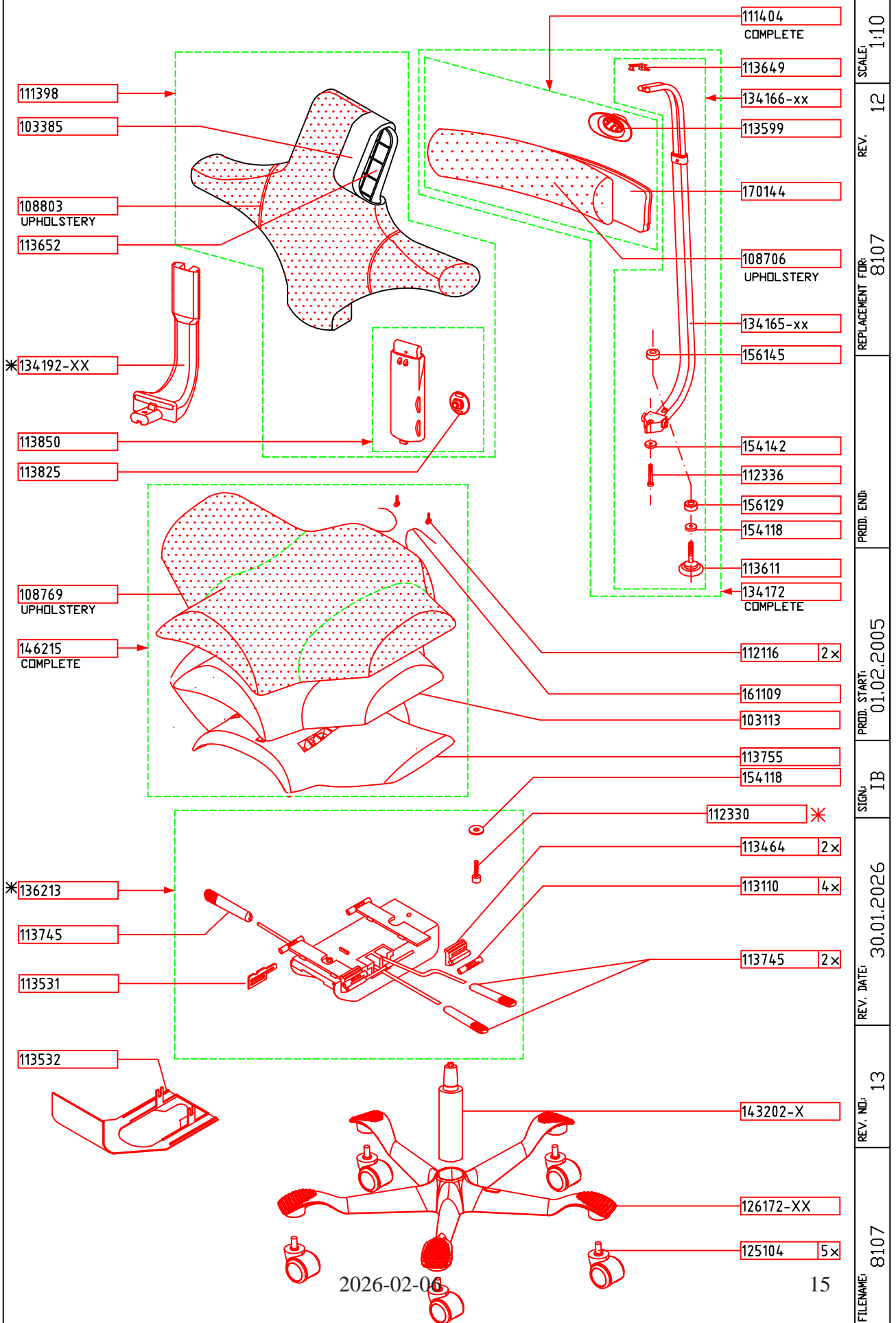
SCALE: 1:10
 REV. 14
 REPLACEMENT FOR: 8106
 PROD. END: 01.02.2005
 PROD. START: 01.02.2005
 SIGN: IB
 REV. DATE: 30.01.2026
 REV. NO.: 15
 FILENAME: 8106

2026-02-06

14

*- LOOK INTO THE SPARE PARTS GUIDE

PAGE NR.: 70.20.16



SCALE: 1:10
 REV. 12
 REPLACEMENT FOR: 8107
 PROD. END: 01.02.2005
 PROD. START: 01.02.2005
 SIGN: IB
 REV. DATE: 30.01.2026
 REV. NO.: 13
 FILENAME: 8107

2026-02-06

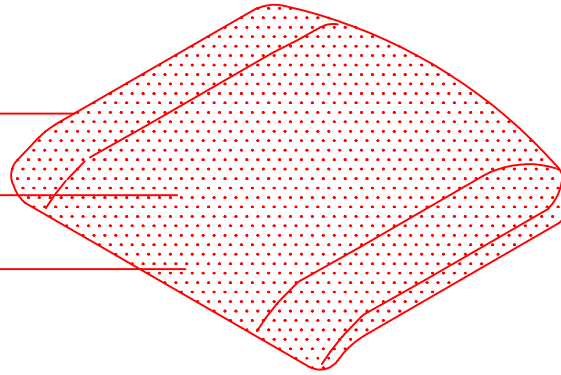
15

*- LOOK INTO THE SPARE PARTS GUIDE

105224
WITHOUT UPHOL.

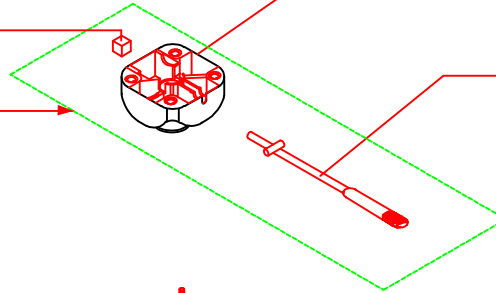
146191
COMPLETE

108800
UPHOLSTERY



129173

136205

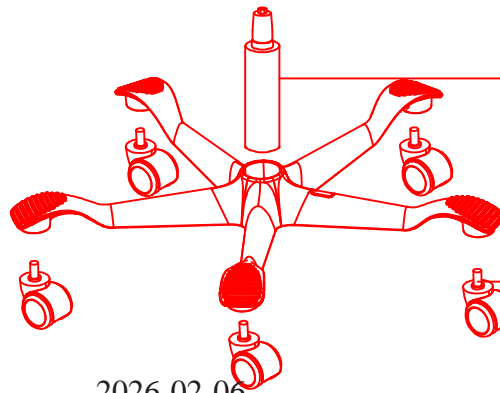


136203

128166



112258 4x



143202-X

126172-XX

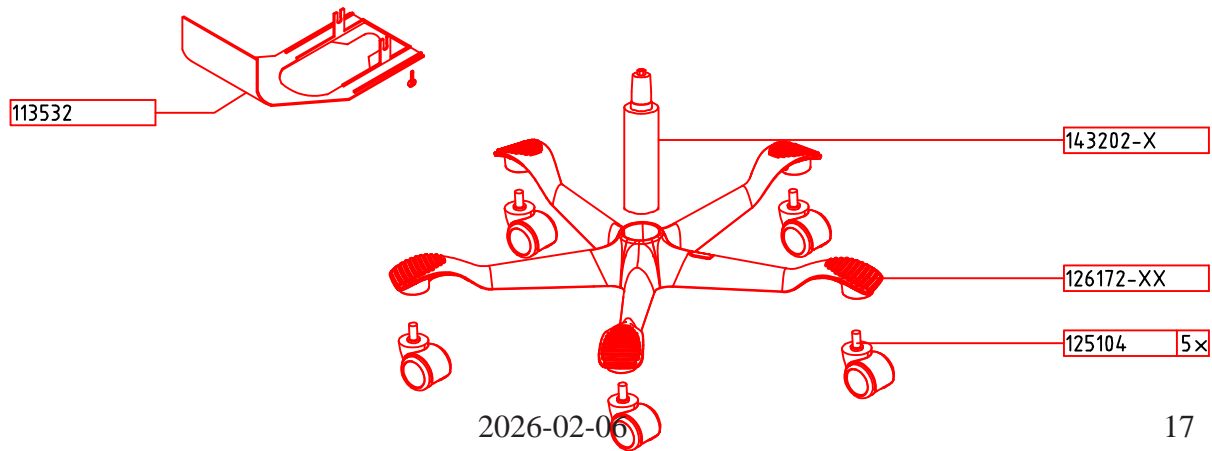
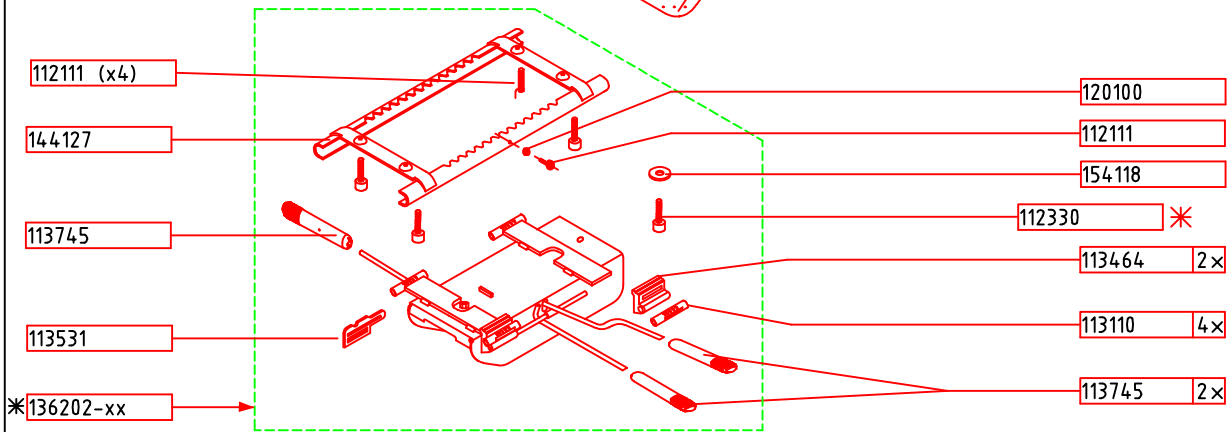
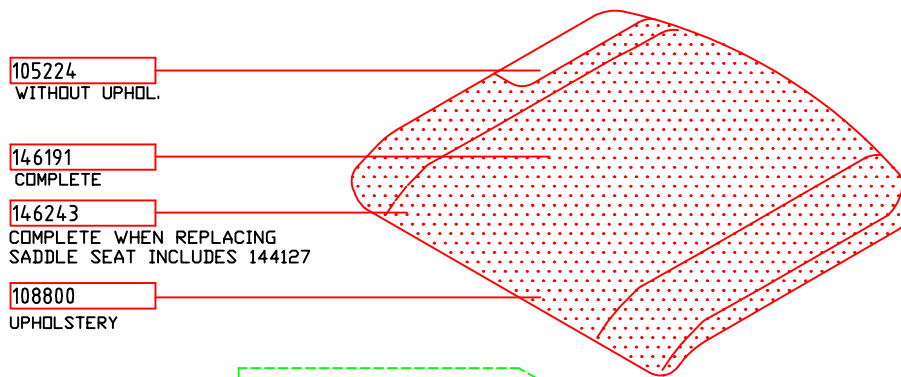
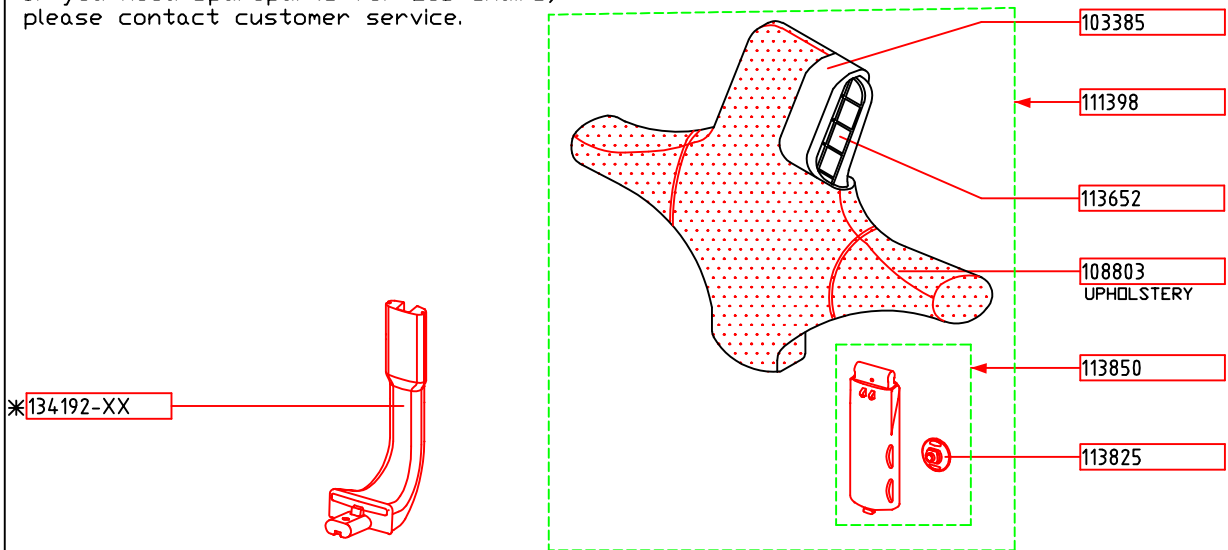
125104 5x

2026-02-06

16

SCALE:	1:10
REV.	12
REPLACEMENT FOR:	8125
PRD. END:	01.01.2006
PRD. START:	01.01.1999
SIGN.	IB
REV. DATE:	30.01.2026
REV. NO.:	13
FILENAME:	8125

Not valid for spareparts to ESD-chairs.
If you need spareparts for ESD-chairs,
please contact customer service.



SCALE: 1:10

REV. 14

REPLACEMENT FOR: 8126

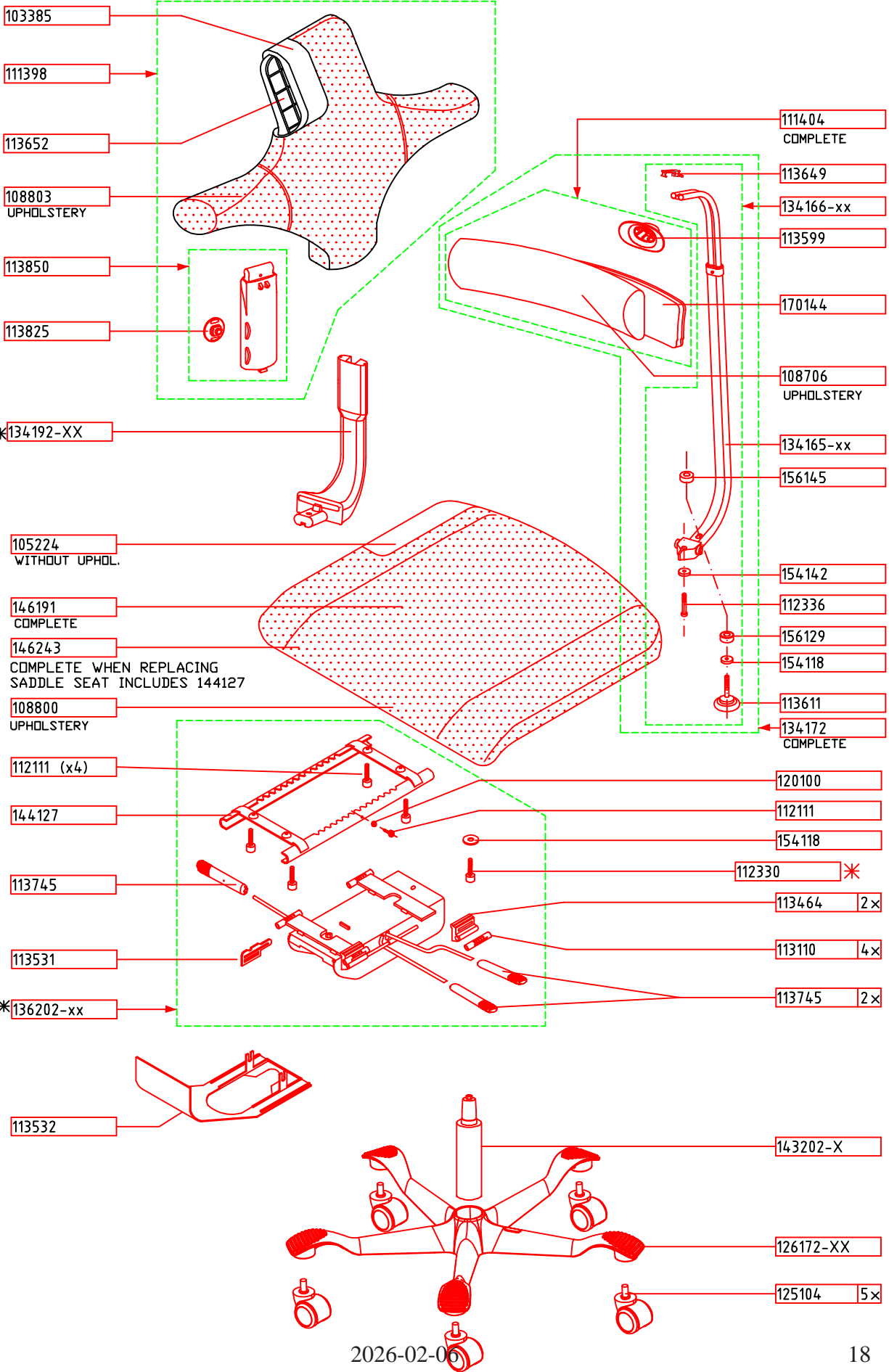
PROD. END: 01.02.2005

SIGN. IB

REV. DATE: 30.01.2026

REV. NO.: 15

FILENAME: 8126



SCALE: 1:10

REV. 13

REPLACEMENT FOR: 8127

PROD. END: 01.02.2005

SIGN. IB

REV. DATE: 30.01.2026

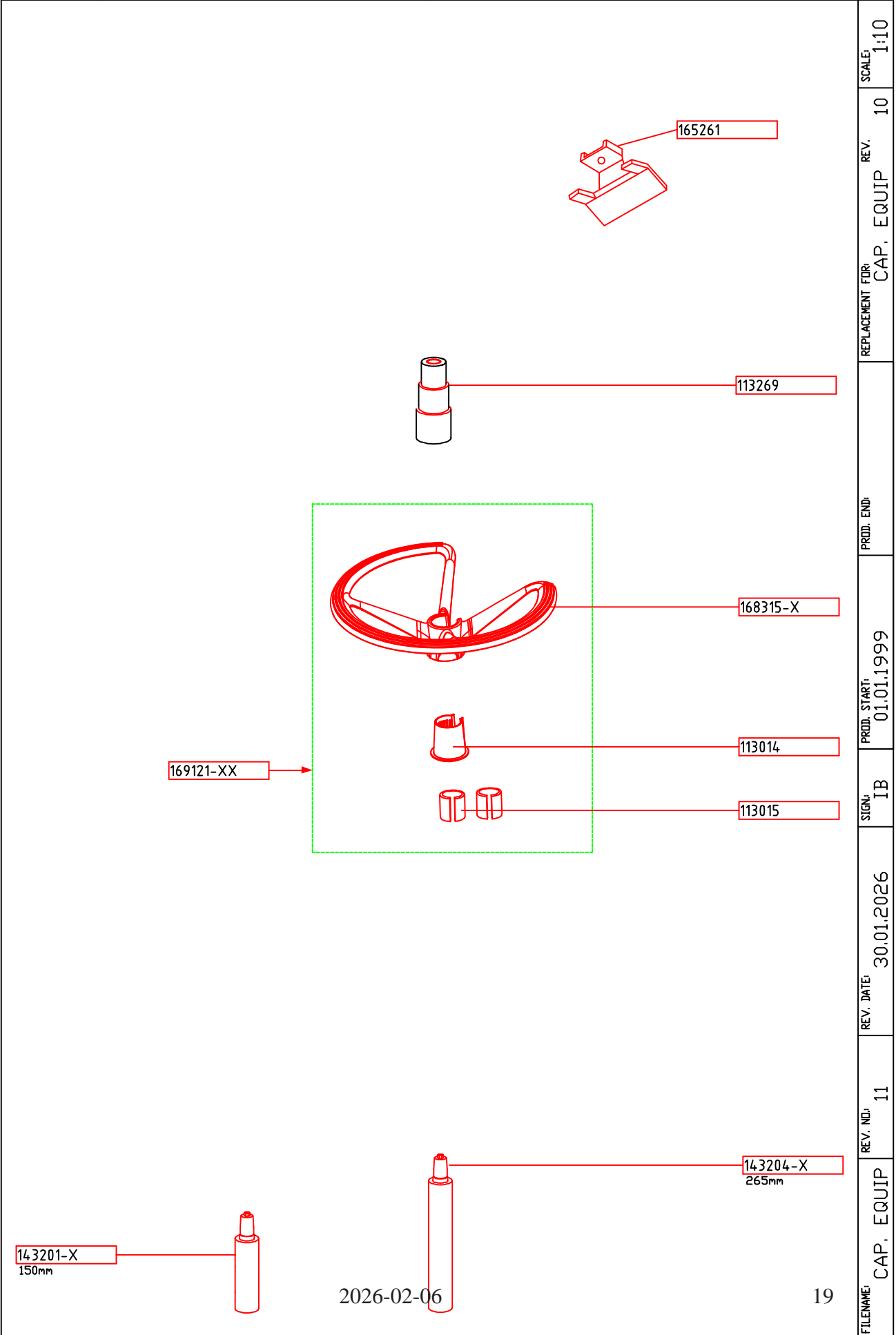
REV. NO.: 14

FILENAME: 8127

2026-02-06

18

*- LOOK INTO THE SPARE PARTS GUIDE



SCALE:	1:10
REV.:	10
REPLACEMENT FOR:	CAP. EQUIP
PRD. END:	
PRD. START:	01.01.1999
SIGN.:	IB
REV. DATE:	30.01.2026
REV. NO.:	11
FILENAME:	CAP. EQUIP

SPARE PARTS GUIDE		Rev. 96_05.03.2026	
Defekt komponent Defect part	Prod. dato Manufacturing date		Erstatningskomponenter Spare parts
Art.nr. Part no.	Fra From	T.o.m. To	Art.nr. Part no
			Stk. Qty.
102370			147110 Wing. 9821
102371			147111 Wing. 9831
102372			145155 Conv.9510
102373			145155 Conv.9510
103382	01/03/2002		103382 + 108697
103400		10/07/2006	146228
	11/07/2006		103400
103401		10/07/2006	146229
	11/07/2006		103401
103402		10/07/2006	146230
	11/07/2006		103402
103410		28/10/2007	146235. Expired, use 146257
	29/10/2007		146257
103440		10/07/2006	146229. Expired, use 146257
	11/07/2006	12/03/2017	103440 + 108009
	13/03/2017		103440
105213			111398
			134163-XX
			136213
105223			146215 or 146191
105225			146215
108009		28/10/2007	146257
	29/10/2007	12/03/2017	108907
	13/03/2017		108009
108037		30/04/2021	108959 (Available for sparepart and request)
	01/05/2021		108037
108044		19/09/2023	Make use of 108044 + 103454
	20/09/2023		108044
108044-Mod.2100			Cover model 2100 need 108044+113049+103454
108204		31/12/2000	146135
	01/01/2001		108204
108220			111209
108222			111209
108234		31/12/2000	146149
	01/01/2001		108234
108242			146198
108246 Leather or Ambla If NOT Leather or Ambla			146228
			108246
108247			108698
108398			108398

Defekt komponent Defect part	Prod. dato Manufacturing date		Erstatningskomponenter Spare parts	Stk. Qty.
Art.nr. Part no.	Fra From	T.o.m. To	Art.nr. Part no	
108399			108946	1
108466			111398 134163-xx 136213	1 1 1
108527	01/11/2019	31/10/2019	108527. Expired, use 111327 111327	1 1
108540			108534	1
108541			108535	1
108542			108534 Conv.9521 108535 Conv. 9521	1 1
108543			147110 Wing. 9821/31	1
108544			147111 Wing. 9831	1
108545	10/10/2000	09/10/2000	111244-xx 108545	1 1
108549	10/10/2000	09/10/2000	146140 108549	1 1
108554	10/10/2000	09/10/2000	111245-xx 108554	1 1
108559	10/10/2000	09/10/2000	111246-xx 108559	1 1
108564	10/10/2000	09/10/2000	146142 108564	1 1
108569			111197	1
108573	10/10/2000	09/10/2000	111197 108573	1 1
108578			111197	1
108582	10/10/2000	09/10/2000	111214 108582	1 1
108585	10/10/2000	09/10/2000	111215 108585	1 1
108588			145155 Conv.9510	1
108589			145155 Conv.9510	1
108603	01/10/2019		108706	1
108673	05/04/2002	04/04/2002	108616 108673	1 1
108687	21/04/2003		108391 Conv. 9520 108946 Conv. 9520	1 1
108697	01/03/2002		108697 + 103382	1
108708			145155 Conv.9510	1
108709			145155 Conv.9510	1
108710			147111 Wing.9831	1

Defekt komponent Defect part	Prod. dato Manufacturing date		Erstatningskomponenter Spare parts	
Art.nr. Part no.	Fra From	T.o.m. To	Art.nr. Part no.	Stk. Qty.
108711			147110 Wing. 9821/31	1
108728	30.05.2025	29.05.2025	108728 + 159184 108728	1 1
108780			109234	1
108801			146215 or 146191	1
108869	11/07/2006	10/07/2006	146228 108869	1 1
108870	11/07/2006	10/07/2006	146229 108870	1 1
108871	11/07/2006	10/07/2006	146230 108871	1 1
108922	29/10/2007	28/10/2007	109233 108922	1 1
108943	16/04/2018	15/04/2018	108943-FTU. Expired, use 111567 111567	1 1
108944	16/04/2018	15/04/2018	108944-FTU. Expired, use 108012-FTU 108012-FTU	1 1
108946	22/04/2003 22/01/2009	21/04/2003 21/01/2009	108390. Expired, no replacement part 108686 108946	1 1 1
109145			109156	1
109235			109234	1
111105		31/12/2001	111369	1
111106		31/12/2001	111369	1
111117		31/12/2001	111204	1
111168			111216	1
111185			111216	1
111190			111220	1
111196	01/02/1996	31/01/1996	134130 111197	1 1
111197	01/02/1996	31/01/1996	134130 111197	1 1
111198	01/02/1996	31/01/1996	134130 111197	1 1
111202		31/12/2003	111369	1
111208			111209	1
111210			111209	1
111232			Not available	

Defekt komponent Defect part	Prod. dato Manufacturing date		Erstatningskomponenter Spare parts	
	Fra From	T.o.m. To	Art.nr. Part no	Stk. Qty.
111236	→	31/12/2001	111369	1
111237	→	31/12/2001	111203	1
111238	→	31/12/2001	111204	1
111312	→		111398 134163-XX 136213	1 1 1
111323	→ 05/11/2019	04/11/2019 →	111323. Expired, use 111591 111591	1 1
111324	→ 05/11/2019	04/11/2019 →	111324. Expired, use 111592 111592	1 1
111325	→ 05/11/2019	04/11/2019 →	111325. Expired, use 111593 111593	1 1
111326	→ 01/11/2019	31/10/2019 →	111326. Expired, use 111327 111327	1 1
111329	→ 01/03/2001 05/11/2019	28/02/2001 → →	111366 + 134162-x 111329. Expired, use 111366 111366	1 1 1
111330	→ 01/03/2001	28/02/2001 →	134162-xx + 111366 111366	1 1
111333-xx	→ 10/10/2000	09/10/2000 →	111244-xx 111333-xx	1 1
111334-xx	→ 10/10/2000	09/10/2000 →	111245-xx 111334-xx	1 1
111335-xx	→ 10/10/2000	09/10/2000 →	111246-xx 111335-xx	1 1
111336	→ 10/10/2000	09/10/2000 →	111197 111336	1 1
111337	→ 10/10/2000	09/10/2000 →	111197 111337	1 1
111338	→ 10/10/2000	09/10/2000 →	111197 111338	1 1
111339-xx	→ 10/10/2000	09/10/2000 →	111250 111339-xx	1 1

Defekt komponent <i>Defect part</i>	Prod. dato <i>Manufacturing date</i>		Erstatningskomponenter <i>Spare parts</i>		
	Art.nr. <i>Part no.</i>	Fra <i>From</i>	T.o.m. <i>To</i>	Art.nr. <i>Part no.</i>	Stk. <i>Qty.</i>
111340-xx		10/10/2000	09/10/2000	111251 111340-xx	1 1
111341		10/10/2000	09/10/2000	111214 111341	1 1
111342		10/10/2000	09/10/2000	111215 111342	1 1
111345			13/10/2015	111325	1
111353		05/07/2013		111352	1
111394-x				111546+136224+165230	1
111395-x				111547+136224+165230	1
111423-x				111547+136224+165230	1
111424-x				111547+136224+165230+168403-x	1
111444		16/04/2018	15/04/2018	111444. Expired, use 111567 111567	1 1
111546		13/03/2017		111546 + 165230	1
111547		13/03/2017		111547 + 165230	1
111594		01.10.2019	30.09.2019	111594. Expired, use 111368 111368	1 1
112116 Skrue, f. setefeste Scio besøk <i>Screw, f. seat fastening Scio visitor</i>		16/10/1995	15/10/1995 15/12/1996	112111 112296 112116 112116	1 1 1 1
112116 Skrue, f.Sofi travers til skinner <i>Screw, f. Sofi travers to brackets</i>				31043	4
112321				112330	1
112330		04.08.2025		112330 (+Unbrako key 6mm 164107 if needed)	1
112339		11/10/2005	10/10/2005	112339. Expired, use 112349 112349	1 1
113044-x				133579	1
113045-x				133579	1
113114-8500		01/01/1986	31/12/1985	113114-8500 125101 113114-8500	1 1 1
113131-7502		06/06/2005	06/06/2005	113131-7502 113131-7502	4 1 to 4

Defekt komponent Defect part	Prod. dato Manufacturing date		Erstatningskomponenter Spare parts	
Art.nr. Part no.	Fra From	T.o.m. To	Art.nr. Part no	Stk. Qty.
113308-8500	→	05/03/1995	113315-8500	1
	06/03/1995	→	113308-8500	1
113309-8500	→	05/03/1995	113313-8500	1
	06/03/1995	→	113309-8500	1
113341	CREDO	→	136217	1
	CAPISCO	→	136213	1
113397	→	→	Not available	
113398 Lavt ryggskall, Scio/Scio besøk Backshell f. Scio visitor low	→	→	Not available	
113399	→	→	146198	1
113400	→	→	113163	1
113402-8500	→	→	113402-8500	
		→	133323-8500	
113403-8500	→	→	113403-8500	
		→	133324-8500	
113451-8500	→	→	Not available	
113455-8500	→	→	Not available	
113465	CREDO	→	136217	1
	CAPISCO	→	136213	1
113466	CREDO	→	136217	1
	CAPISCO	→	136213	1
113469-8500	→	15/02/1996	113469-8500	1
			154104	1
	16/02/1996	→	113469-8500	1
113470-8500	→	→	146198	1
113478-8500	→	20/09/1995	113453-8500	4
	21/09/1995	→	113478-8500	4
113598	→	28/02/2001	113598	1
			134162-XX	1
	01/03/2001	→	113598	1
113824	→	→	113824	1
113825	→	14/09/2004	113787-8500	1
	15/09/2004	→	113825	1
113846	→	28/01/2001	113474-8500	1
	29/01/2001	→	113846	1
113863	→	26/08/2004	113864	1
	27/08/2004	→	113863	1
113865	→	26/08/2004	113866	1
	27/08/2004	→	113865	1
113886	→	10/07/2006	146228	1
	11/07/2006	→	113886	1
113887 (4200/4400/4600)	→	10/07/2006	146229	1
	11/07/2006	→	113887	1

Defekt komponent Defect part	Prod. dato Manufacturing date		Erstatningskomponenter Spare parts	Stk. Qty.
	Fra From	T.o.m. To		
113887 (4650)	→	10/07/2006	146230	1
	11/07/2006	→	113887	1
113911	→	28/10/2007	146235. Expired, use 146257	1
	29/10/2007	→ 12/03/2017	113911. Expired, use 146257	1
	13/03/2017	→	213173	1
115137-xx	→	31/10/1986	115137-xx	1
			143135-xx	1
			126139-xx	1
			125100	5
	01/11/1986	→	115137-xx	1
125101	→	31/12/1985	125101	1
			113125	1
	01/01/1986	→	125101	1
125160	→	28/01/2001	113474-8500	2
			125153	2
	29/01/2001	→	125160	2
125172	→	04/06/2012	126172	1
	05/06/2012	→	125186	4
125176	→	28/01/2001	113474-8500	2
			125153	2
	29/01/2001	→	125176	2
126139-XX	01/06/1992	17/03/2008	126157-XX	1
126148-XX		→	126158-XX or 126154-P	1
126154-P	31/10/2017	→	126154-P + 168400 /168390-P	1
126158	31/10/2017	→	126158 + 168390-P /168400	1
133200-XX	Spare Parts are not available anymore, please contact Customer Service			
133201-XX	Spare Parts are not available anymore, please contact Customer Service			
133336	→	04/11/2019	Expired, use 133571 + 133570	1
133337	→	04/11/2019	Expired, use 133571 + 133570	1
133424	26/08/2019	→	133565-x + 133564-x	1
133425	26/08/2019	→	133565-x + 133564-x	1
133444-BB Meeting chair	14.09.2011	11.05.2020	133444-BB MC. Expired, use 133448-BB Work Chair	1
	12.05.2020	→	133448-BB Working Chair	1
133494	01.03.2025	→	Expired, use 113135-x 2 pcs	2
133495	01.03.2025	→	Expired, use 113135-x 2 pcs	2
133528	01/07/2004	→	133549 + 133550	1
133529	01/07/2004	→	133549 + 133550	1
133530	→	01/07/2015	Expired, use 133549 + 133550	1
	02/07/2015	→	133530	1
133539		→	133579	1
Arml. m/ travers komplett Armr.w/travers complete				

Defekt komponent Defect part	Prod. dato Manufacturing date		Erstatningskomponenter Spare parts	
	Fra From	T.o.m. To	Art.nr. Part no	Stk. Qty.
133540			133579	1
133541			133579	1
133569			133579	1
134128			134130	1
134131			134130	1
134132-xx	01/03/1988	28/02/1988 08/08/1996	136192-xx 143135-xx 113400-8500 125100-8500 134132-xx	1 1 1 5 1
134137			134138	1
134139			134138	1
134140-xx	01/02/1996	31/01/1996	134140-xx 112202 134140-xx	1 2 1
134159-XX	01/03/2001	28/02/2001	134159-xx 113598-8500 or 170131 134159-xx	1 1 1
134160	01/10/2019	30/09/2019	134160. Expired, use 134194 134194	1 1
134161	01/10/2019	30/09/2019	134161. Expired, use 134194 134194	1 1
134162-XX	01/03/2001	28/02/2001	134162-xx 113598-8500 or 170131 134162-xx	1 1 1
134192-xx	01/06/2018	02/05/2018 31/05/2018 03/05/2018	Capisco; 134192 + 136213 H04; 134192 + 136218 Capisco; 134192 H04; 134192	1 1 1 1
136103-xx	01/03/1988	28/02/1988 08/08/1996	No spare parts available 136192-xx	1 1
136165-BU		31/12/1998	136202 113323 113532 115503 (back stem)	1 1 1 1
136169-xx Seat mechanism 1400-1505		31/12/2001	136210 111346 low backshell, or 111360 heigh backshell 113658 113689-8500 112116 112303 113659	1 1 1 1 2 3 1 1
136172-xx Seat mechanism 1600-1605		31/12/2001	136211 111346 low backshell without pad, or 111360 heigh backshell without pad 113658 113689-8500 112116 112303 113659	1 1 1 1 2 3 1 1

Defekt komponent Defect part	Prod. dato Manufacturing date		Erstatningskomponenter Spare parts	
Art.nr. Part no.	Fra From	T.o.m. To	Art.nr. Part no	Stk. Qty.
136172 Seat mechanism 1700 - 1705	→	31/12/2001	136211 111356 low backshell with upholstery, or 111357 high backshell with upholstery 113658 113689-8500 112116 112303 113659	1 1 1 2 3 1 1
136181-UU	→	31/12/1998	136202 113323 113532 115503 (back stem)	1 1 1 1
136187-xx Seat mechanism 1490 - 1695	→	31/12/2001	136210 111346 low backshell without pad, or 111355 heigh backshell without pad 113658 113689-8500 112116 112303 113659	1 1 1 2 3 1 1
136202	→ 02.11.2010	01.11.2010 →	Expired. Use 136202 136202	1 1
136207	→ 02/11/2019	01/11/2019 →	136207 + 134157 136207	1 1
136213	01/03/2003 02/02/2005	01/02/2005 →	136227. Expired, use 136213+134192+111398 136213	1 1
136215	14/01/2004	→	136215 165230	1 1
136218 H04	→ 11/07/2006	10/07/2006 →	136193 112347 136218	1 2 1
143200-xx	→ 02/06/1988	01/06/1988 →	Not available 143200-xx	1 1
145132	→	→	145131	1
145133	→	→	145131	1
145134	→	→	145155 Conv.9510	1
145135	→	→	145155 Conv.9510	1
145136	→	→	145131 Conv.9520	1
145141	→	→	145140 Conv. 9521	1
145142	→	→	145140 Conv. 9521	1
145143	→	→	147110 Wing.9821	1
145144	→	→	147111 Wing. 9831	1
145151	→	→	145155 Conv.9510	1
145152	→	→	145155 Conv.9510	1
145153	→	→	147110 Wing.9821	1
145154	→	→	147111 Wing. 9831	1

Defekt komponent Defect part	Prod. dato Manufacturing date		Erstatningskomponenter Spare parts	Stk. Qty.
	Fra From	T.o.m. To		
146107	→	31/12/2001	146223	1
146112	→		146228	1
146145	→		146228	1
146154 Scio 1570-1670	→		146198	1
146155 Scio 1700-1705	→	16/09/1996	146155	1
			112303	5
			154104	1
			113427-8500	2
			137201	1
	17/09/1996	15/12/1996	146155	1
			112303	5
		154104	1	
		137201	1	
	16/12/1996	→	146155	1
146155 Scio 1770	→	15/12/1996	146155	1
			112303	4
	16/12/1996	→	146155	1
146158	→		146198	1
146189	→	18/12/1995	146189	1
			112303	4
	19/12/1995	→	146189	1
146190			146215 or 146191	1
146193	→	04/11/2019	146193. Expired, use 146266	1
	05/11/2019	→	146266	1
146194	→	09/10/2000	146140	1
	10/10/2000	→	146194	1
146195	→	09/10/2000	146142	1
	10/10/2000	→	146195	1
146235	→	12/03/2017	146235. Expired, use 146257	1
	13/03/2017	→	146257	1
146238	→	15/04/2018	146238. Expired, use 146261	1
	16/04/2018	→	146261	1
159158	→	31/03/1998	159141	1
	01/04/1998	→	159158	1
161109	→	15/12/1996	Not available	
	16/12/1996	→	161109	1
165130	→	19/09/1994	Not available	1
	20/09/1994	→	165130	1

Defekt komponent Defect part	Prod. dato Manufacturing date		Erstatningskomponenter Spare parts	
Art.nr. Part no.	Fra From	T.o.m. To	Art.nr. Part no	Stk. Qty.
165248-xx			133579	1
165249-xx			133579	1
168299	14.09.2011	11.05.2020	Expired. Use 168269 + 136237 + 165230	1
168341-x			133579	1
168395-xx			133579	1
168396-xx			133579	1
170117			111209	1
170118			111209	1
170119			111209	1
170124 Scio 1700-1705		16/09/1996	170124 112303 154104 113427-8500 137201	1 5 1 2 1
	17/09/1996	15/12/1996	170124 112303 154104 137201	1 5 1 1
	16/12/1996		170124	1
170124 Scio 1770		15/12/1996	170124 112116	1 4
	16/12/1996		170124	1
170125 Scio 1700		02/11/1997	170125 113521-8500 113522	1 2 1
	03/11/1997		170125	1
170126		02/11/1997	170126 113521-8500 113522	1 2 1
	03/11/1997		170126	1
170131		28/02/2001	170131 134162-XX	1 1
	01/03/2001		170131	1
	01/03/2001		170144	1
170147			109234	1
213117		01/07/2015	113711	1
	02/07/2015		213117	1
213121		01/07/2015	113707	1
	02/07/2015		213121	1